

# MISIONNANO™

Owner's Manual



En Original instructions  
De Originalbetriebsanleitung  
Fr Notice originale  
I Istruzioni originali  
Es Manual original  
NI Oorspronkelijke gebruiksaanwijzing  
Pl Instrukcja oryginalna  
Cz Původní návod k používání  
Sk Pôvodný návod na použitie  
Sl Izvorna navodila  
Pt Manual original  
Hu Eredeti használati utasítás  
Hr Originalne upute za rad  
Tr Orijinal işletme talimatı

En	Owner's Manual	P03
De	Benutzerhandbuch	P15
Fr	Mode d'emploi	P27
I	Manuale d'uso	P39
Es	Manual del propietario	P51
NI	Gebruikershandleiding	P63
Pl	Instrukcja obsługi	P75
Cz	Návod k použití	P87
Sk	Návod na použitie	P99
Sl	Navodila za uporabo	P111
Pt	Manual de utilizador	P123
Hu	Felhasználói kézikönyv	P135
Hr	Priručnik za upotrebu	P147
Tr	Kullanıcı el kitabı	P159

**KR100**

# Product safety

## General safety warnings



**WARNING: Read all safety warnings and all instructions.** Failure to follow the warnings and instructions may result in electric shock, fire and/or serious injury.

**Carefully read the instructions for the safe operation of the machine.**

**Save all warnings and instructions for future reference.**

- This appliance is not intended for use by persons (including children) with reduced physical, sensory or mental capabilities, or lack of experience and knowledge, unless they have been given supervision or instruction concerning use of the appliance by a person responsible for their safety.
- Children should be supervised to ensure that they do not play with the appliance.
- The appliance is only to be used with the power supply unit provided with the appliance.

**IMPORTANT  
READ CAREFULLY BEFORE USE  
KEEP FOR FUTURE REFERENCE**

## Safe operation practices Training

- Read the instructions carefully. Make sure you understand the instructions and be familiar with the controls and the proper use of the appliance.
- Never allow people unfamiliar with these instructions or children to use the appliance. Local regulations can restrict the age of the operator.
- The operator or user is responsible for accidents or hazards occurring to other people or their property.

## Preparation

- Ensure the correct installation of boundary wire as instructed.
- Periodically inspect the area where the appliance is to be used and remove all stones, sticks, wires, bones, and other foreign objects.
- Periodically visually inspect to see that the blades, blade bolts and cutter assembly are not worn or damaged. Replace worn or damaged blades and bolts in sets to preserve balance.
- On multi-spindle appliances, take care as rotating one blade can cause other blades to rotate.
- WARNING!** The lawnmower shall not be operated without the guard in place.

## Operation

### 1. General

- Never operate the appliance with defective guards, or without safety devices, for example deflectors, in place.
- Do not put hands or feet near or under rotating parts. Keep clear of the discharge opening at all times.
- Never pick up or carry an appliance while the motor is running.
- Remove the disabling device from the appliance
  - Before clearing a blockage;
  - Before checking, cleaning or working on the appliance.
- It is not permitted to modify the original design of robotic lawnmower. All modifications are made at your own risk.
- Start robotic lawnmower according to the instructions. Never put your hands and feet under the mower.
- Do not let persons who do not know how robotic lawnmower works and behaves use the mower.
- Do not put anything on top of robotic lawnmower or its charging station.
- Do not allow robotic lawnmower to be used with a defective blade disc or body. Neither should it be used with defective blades, screws, nuts or cables.
- Always switch off robotic lawnmower when you do not intend to use the mower.
- Keep your hands and feet away from the rotating blades. Never place your hands or feet close to or under the body when robotic lawnmower is in operation.
- To avoid using the machine and its peripherals in bad weather conditions especially when there is a risk of lightning.
- Do not touch moving hazardous parts before these have come to a complete stop.

### 2. Additionally when the appliance is operating automatically

- Do not leave the machine to operate unattended if you know that there are pets, children or people in the vicinity.

## Maintenance and storage



**WARNING! When the machine is stopped for servicing, inspection, or storage, or to change the blades, remove the key from the machine and make sure that the blades are come to a complete stop.**

- Keep all nuts, bolts and screws tight to be sure the appliance is in safe working condition.
- Inspect the robotic lawnmower each week and replace worn or damaged parts for safety.
- Check especially that the blades and blade disc

are not damaged. Replace all blades and screws at the same time if necessary so that the rotating parts are balanced.

- d) Ensure that only replacement cutting means of the right type are used.
- e) Ensure that batteries are charged using the correct charger recommended by the manufacturer. Incorrect use may result in electric shock, overheating or leakage of corrosive liquid from the battery.
- f) In the event of leakage of electrolyte flush with water/neutralizing agent, seek medical help if it comes into contact with the eyes etc.
- g) Servicing of the appliance should be according to manufacturers' instructions.

### Recommendation

To connect the machine and/or its peripherals only to a supply circuit protected by a residual current device (RCD) with a tripping current of not more than 30 mA.

### Residual risks

To avoid injuries, wear protective gloves when replacing the blades.

### Transport

**4**  
**EN** The original packaging should be used when transporting robotic lawnmower over long distances.

To safely move form or within the working area:

- a) Press the STOP button to stop the mower.
- b) Always switch off robotic lawnmower if you intend to carry the mower.
- c) Carry the mower by the handle at the rear under the mower. Carry the mower with the blade disc away from the body.

### Safety Warnings for battery pack inside the tool

- a) **Do not dismantle, open or shred battery pack.**
- b) **Do not short-circuit a battery pack. Do not store battery packs haphazardly in a box or drawer where they may short-circuit each other or be short-circuited by conductive materials.** When battery pack is not in use, keep it away from other metal objects, like paper clips, coins, keys, nails, screws or other small metal objects, that can make a connection from one terminal to another. Shorting the battery terminals together may cause burns or a fire.
- c) **Do not expose battery pack to heat or fire. Avoid storage in direct sunlight.**
- d) **Do not subject battery pack to mechanical shock.**
- e) **In the event of battery leaking, do not allow**

**the liquid to come into contact with the skin or eyes. If contact has been made, wash the affected area with copious amounts of water and seek medical advice.**

- f) **Seek medical advice immediately if a cell or battery pack has been swallowed.**
- g) **Keep battery pack clean and dry.**
- h) **Battery pack gives its best performance when it is operated at normal room temperature (20 °C ± 5 °C).**
- i) **When disposing of battery packs, keep battery packs of different electrochemical systems separate from each other.**
- j) **Recharge only with the charger specified by Kress. Do not use any charger other than that specifically provided for use with the equipment.** A charger that is suitable for one type of battery pack may create a risk of fire when used with another battery pack.
- k) **Do not use any battery pack which is not designed for use with the equipment.**
- l) **Keep battery pack out of the reach of children.**
- m) **Retain the original product literature for future reference.**
- n) **Dispose of properly.**

# Symbols



WARNING – robotic lawnmower can be dangerous if incorrectly used. Read through the Operator's manual carefully and understand the content before using your robotic lawnmower.



WARNING - Keep a safe distance from the machine when operating.



WARNING – Remove the disabling device before working on or lifting the machine.



WARNING – Do not ride on the machine.



Class III appliance.



Waste electrical products must not be disposed of with household waste. Please recycle where facilities exist. Check with your local authorities or retailer for recycling advice.



Li-Ion



Do not dispose of batteries. Return exhausted batteries to your local collection or recycling point.



Do not burn.

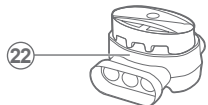
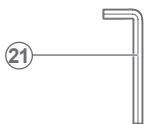
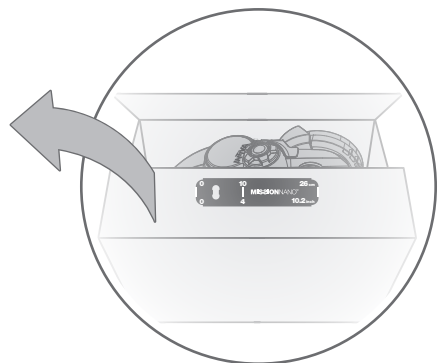
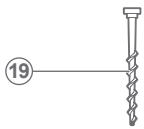
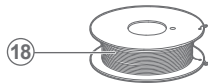
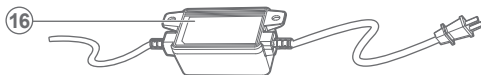
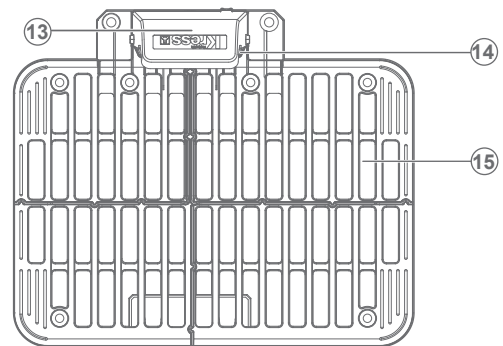
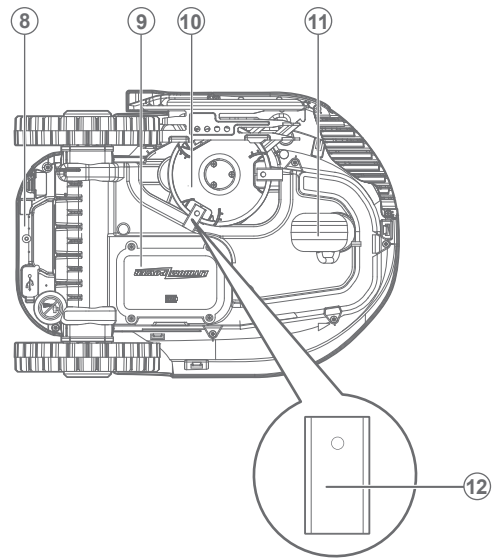
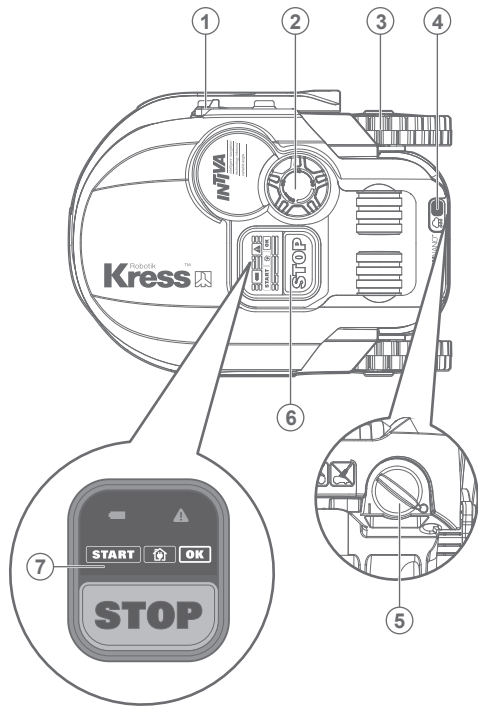


Do not expose to rain or water.



Do not wash the machine with a high pressure washer.

# Component list



- |                                   |                                  |
|-----------------------------------|----------------------------------|
| 1. Charging Strips                | 12. Cutting Blade                |
| 2. Cutting Height Adjustment Knob | 13. Protective Cover             |
| 3. Rear Driving Wheel             | 14. Contact Pins                 |
| 4. Rain Sensor                    | 15. Charging Base                |
| 5. Main Switch                    | 16. Power Adapter                |
| 6. Stop Button                    | 17. Wire Pegs                    |
| 7. Control Panel                  | 18. Boundary Wire                |
| 8. Handle                         | 19. Charging Base Fixing Nails   |
| 9. Battery Pack                   | 20. Boundary Wire Distance Gauge |
| 10. Blade Turning Disc            | 21. Hex Key                      |
| 11. Front Wheel                   | 22. Connector                    |

## Technical data

Type **KR100 (100-199 - designation of machinery, representative of Robotic Lawnmower)**

Rated voltage	20V $\overline{=}$ Max.*
No load speed	2800/min
Cutting area	600m <sup>2</sup>
Cutting diameter	18cm
Cutting height	30-60mm
Cutting height positions	4
Battery type	Lithium-ion
Battery model	KA0101
Charging time approx.	2hrs
Charger model	KA0200 / KA0201
Charger rating	Input: 100-240V~50/60Hz, 38W, Output: 20V, 1.5A
Machinery weight	8.8kg
Protection degree	III
App	Y
Frequency band of embedded WLAN module	2.412GHz-2.484GHz
Max. radio-frequency power of embedded WLAN module	802.11b:+16±2dBm(@11Mbps) 802.11g:+14±2dBm(@54Mbps) 802.11n:+13±2dBm(@HT20,MCS7)

\* Voltage measured at no load. Initial battery voltage reaches maximum of 20 volts. Nominal voltage is 18 volts.

# Noise data

A weighted sound pressure	$L_{pA} = 47.6 \text{ dB (A)}, K_{pA} = 3.0 \text{ dB(A)}$
A weighted sound power	$L_{WA} = 67.6 \text{ dB (A)}, K_{WA} = 3.0 \text{ dB(A)}$
Wear ear protection when sound pressure is over	80dB(A) 

A degree of noise from the machine is not avoidable. Route noisy work is to be licensed and limits for certain periods. Keep rest periods and they may need to restrict the working hours to a minimum. For their personal protection and protection of people working nearby, an appropriate hearing protection shall be worn.

# Accessories

Screw	9
Charging base	1
Charging base fixing nails	8
Boundary wire	150m
Wire pegs	210
Hex key	1
Boundary wire distance gauge	2
Blade	9
Battery pack (KA0101)	1
Charger (KA0200 / KA0201)	1
Connector	2

8  
EN

We recommend that you purchase genuine accessories listed in the above list from the same store that sold you the tool. Refer to the accessory packaging for further details. Store personnel can assist you and offer advice.

# Intended Use

The garden product is intended for domestic lawn mowing. It is designed to mow often, maintaining a healthier and better looking lawn than ever before. Depending on the size of your lawn, MissionNANO™ may be programmed to operate at any time or frequency. It is not intended for digging, sweeping or snow cleaning.

# Maintenance

Your MissionNANO™ works hard and needs to be cleaned and checked from time to time. Some parts will require replacement as they become worn. Never use your MissionNANO™ with defective main switch. Switch off the machine before carrying out any service or maintenance. Here's how to take care of your MissionNANO™.



# 1

## Keep it Sharp

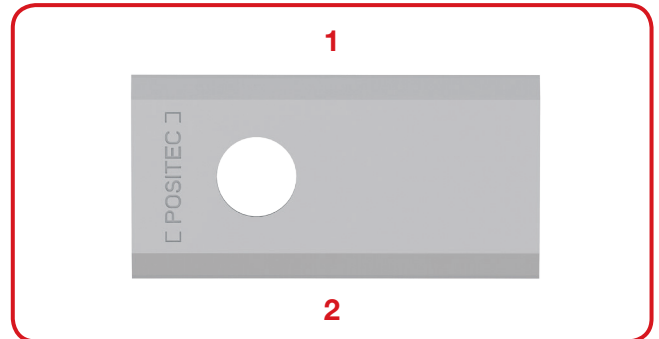


**WARNING:** Before cleaning, adjusting, or replacing the blades, turn your MissionNANO™ OFF and put on protective gloves.



**WARNING:** When fitting new blades, make sure you replace ALL the blades. Always use new screws when fitting blades. This is important to ensure blade retention and balance the blade turning disc. Failure to use new screws could cause serious injury.

The MissionNANO™ does not cut grass like other mowers. Its cutting blades are razor sharp on 2 edges and rotate in both directions for maximum cutting capacity. Each blade of your MissionNANO™ has 2 cutting edges. The blade turning disc will make forward and reverse rotation at random to use both cutting edges and minimize the frequency of replacing the blades. Each cutting blade will last up to 2 months when it is programmed to mow every day. Always check to see if the blades are chipped or damaged and replace them if they are. When the cutting blades are dull and worn out, they should be replaced with the spare blades provided with your MissionNANO™. Spare blades are also available at your nearest Kress retailer.



### A. Replace the blades

After some time, usually every season, your MissionNANO™'s blades will need to be replaced. When replacing the blades, make sure to replace all of them at the same time. You can replace them with one of the spare blade kits and extra blade screws supplied with your MissionNANO™.

Before attempting to replace your MissionNANO™'s blades, turn the power off and put on protective gloves and follow these steps:

1. Gently flip the MissionNANO™ over.
2. Remove the battery cover and remove the battery.
3. Take the screws off the blades with a screwdriver.
4. Firmly screw on the new blades.
5. Refit the battery and the battery cover.



**Important:** After screwing the blade to the blade disc, make sure the blade is able to spin freely.

# 2

## Keep it Clean



**WARNING:** Before cleaning, turn your MissionNANO™ OFF. Put on protective gloves before cleaning the blade turning disc and do not rinse or flush with water.

## A. Cleaning the Body

Your MissionNANO™ will live a much happier and longer life if it is cleaned regularly. Since your MissionNANO™ is an electric machine, you will need to take care when cleaning. **DO NOT use a hose, high pressure washers or otherwise pour running water on your MissionNANO™.** It is best to use a spray bottle filled with water. When cleaning the machine body, use a soft brush or clean cloth and avoid using solvents or polishes. Lastly, remove all build up of grass clippings and debris.



## B. Cleaning the underside

Again, it is important that you power the MissionNANO™ OFF and **wear protective gloves before touching the blade turning disc.**

First, flip your MissionNANO™ upside down to expose its underside. Here you will see the blade disc, the chassis, and the front wheel and driving wheels. Clean everything thoroughly with a soft brush or moist rag.



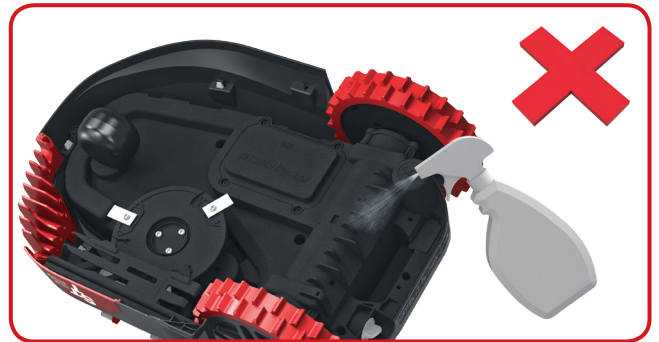
**WARNING: NEVER clean the underside of MissionNANO™ with running water.**

Component damage can occur.

Rotate the blade disc to ensure it rotates freely.

Check the blades spin freely around the fixing screws. Remove any obstructions..

**IMPORTANT: Remove any lodged debris so that it does not cause a crack in the blade disc. Even the tiniest crack can decrease your MissionNANO™'s mowing output.**



## C. Clean the contact pins and the charging strips

Clean the contact pins located on the charging base and the charging strips located on the MissionNANO™ using a cloth. Remove any built up grass clippings or debris around the contact pins and charge strips periodically to ensure the MissionNANO™ successfully charges each time.



# 3

## Battery Life

The heart of the MissionNANO™ is its 20V Li-Ion Battery. For proper storage of the battery, make sure it is fully charged and kept in a cool dry place between (-20°C~+60°C).

**NOTE:** The recommend MissionNANO™ operation temperature is between 0-55°C.

The life-span of the MissionNANO™'s battery depends on various factors, such as:

- The length of the mowing season in your region
- Amount of hours the MissionNANO™ mows per day
- Battery maintenance during storage

MissionNANO™ can be charged manually without the boundary wire.

1. Connect the charging base to a suitable power supply. The green light on the charging base will turn on.
2. Manually dock the MissionNANO™ into the charging base while the MissionNANO™ is powered off.
3. The green light on the charging base will turn to red. MissionNANO™ will begin to charge.



## 4

### Winter Hibernation

Your MissionNANO™ will live longer and healthier if it is allowed to hibernate. So even though it is tough, we recommend storing your MissionNANO™ in your shed or garage during the winter.

Before you prepare your MissionNANO™ for winter hibernation, we recommend you:

- Thoroughly clean your MissionNANO™
- Fully charge the battery
- Turn the power off

To maximize the battery life, fully charge the battery before storage during winter.

**WARNING:** Protect the underside of MissionNANO™ from water. NEVER store MissionNANO™ upside down outdoors.

The boundary wire can be left in the ground although its ends should be protected, such as placed in a tin can with grease. If the charging base is left outside for the winter, leave the boundary wire connected.

**NOTE:** When bringing the MissionNANO™ back to work after winter hibernation, make sure the charging strips and contact pins are clean. We recommend using a fine grade emery cloth to clean the contacts. Using the app, make sure the date and time are correct and send MissionNANO™ back to what it loves doing: mowing.

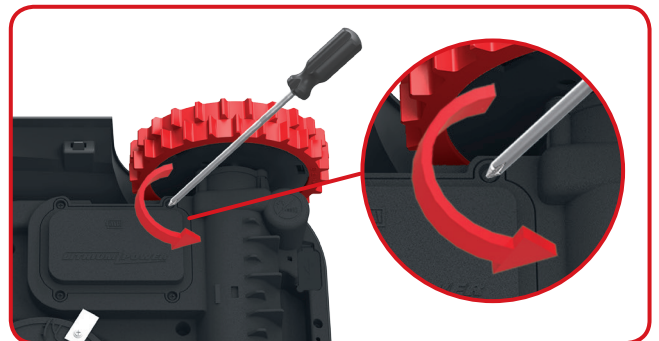
## 5

### Replacing the battery

**WARNING:** Power off before attempting any adjustment, replacement or repair. Before replacing the blades, turn your MissionNANO™ OFF and put on protective gloves.

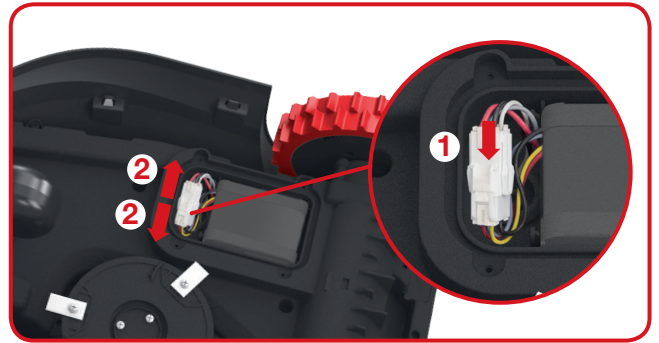
If you need to replace the battery, follow these steps:

1. Gently turn your MissionNANO™ upside down.
2. Remove the screws on the battery cover. Remove the battery cover.

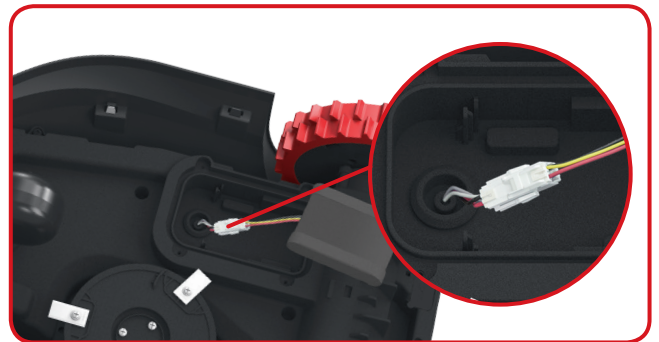
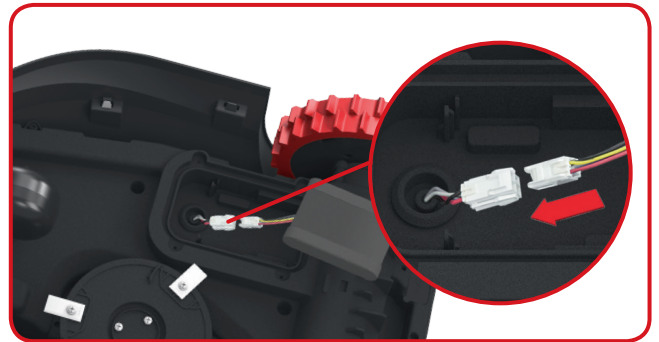


3. Lift out the old battery carefully. Press the latch and release the connectors.

**NOTE:** Do not pull by the cables. Hold the connectors and release the latch.



4. Connect a new original battery by attaching the connectors until they click into position.



5. Fit the battery as shown. Place the cover back in its position and tighten the screws.



# Troubleshooting

If your MissionNANO™ does not work correctly, follow the trouble shooting guide below. If the fault persists, contact your dealer.

Symptom	Cause	Action
The LED light on the charging base does not turn on.	There is no power.	Check the charging base is connected properly to the charger and the charger is connected to a suitable power supply.
Green light flashing on the charging base.	The boundary wire isn't connected.	Check that the boundary wire has been connected correctly to the charging base. Check there are no breaks in the boundary wire, especially in the wire ends.
Your MissionNANO™ is inside its territory and the boundary wire is connected. The error indication light flashes red.	The boundary wire ends are clamped incorrectly.	Reverse the boundary wire ends.
MissionNANO™ cannot correctly dock with the Charging base.	Environmental influences.	Restart MissionNANO™.
	Poor connection caused by debris on the charging strip.	Clean the contact pins located on the charging base and the charging strip on MissionNANO™ using a cloth.
MissionNANO™ runs outside the boundary wire. MissionNANO™ does not mow an area within a boundary wire zone. MissionNANO™ reverses or rotates erratically near the boundary wire.	The boundary wire of another MissionNANO™ or another branded robotic mower is positioned too closely.	Ensure your MissionNANO™ boundary wire has at least 1m of spacing between the neighboring boundary wire.
	The boundary wire has been installed with acute angles.	Check the boundary wire to ensure the angles are smooth.
	In wet conditions, the boundary wire electric signal may leak where wire has been joined or repaired.	Check boundary wire joints. Insulate to provide a fully waterproof connection.
	There is boundary wire electric signal leakage due to broken insulation.	Repair damaged boundary wire insulation with insulation tape.
	The cutting area is larger than the allowable cutting area for MissionNANO™.	Decrease the cutting area.
MissionNANO™ exits the boundary wire due to high speed when going down a hill.	The boundary wire is placed on a slope steeper than 17% (10°).	Reposition the boundary wire away from slopes that are steeper than 17% (10°).

## Environmental protection



Waste electrical products should not be disposed of with household waste. Please recycle where facilities exist. Check with your Local Authority or retailer for recycling advice.

# Declaration of conformity

We,  
Positec Germany GmbH  
Grüner Weg 10, 50825 Cologne, Germany

Declare that the product,

Description **Robotic Lawnmower**

Type **KR100 (100-199- designation of machinery, representative of Robotic Lawnmower) (Year, article number and month of serial number are placed on the back page. The complete serial number is clearly stated on the enclosure of lawnmower) with battery charger KA0200 / KA0201 and charging base KA0070**

Function **Cutting grass**

Complies with the following Directives,

**2006/42/EC, 2014/30/EU, 2014/35/EU, 2011/65/EU, 2000/14/EC amended by 2005/88/EC, 2014/53/EU**

2000/14/EC amended by 2005/88/EC

- Conformity Assessment Procedure as per **Annex V**
- Measured Sound Power Level **67.6 dB (A)**
- Declared Guaranteed Sound Power Level **68 dB (A)**

Standards conform to,

**EN 60335-1:2012+A11:2014, EN 50636-2-107:2015, EN 60335-2-29:2004+A2:2010,  
EN 62233:2008, EN ISO 3744:2005, EN 55014-1:2006+A1:2009+A2:2011,  
EN 61000-3-2:2014, EN 61000-3-3:2013, EN 55014-2:2015,  
EN 61558-1:2005+A1:2009, EN 61558-2-16:2009+A1:2013,  
EN 300 328 V2.1.1, EN 301 489-1 V2.1.1, EN 301 489-17 V3.1.1, EN 62311:2008**

14

EN

The person authorized to compile the technical file,

Name **Marcel Filz**

Address **Positec Germany GmbH, Grüner Weg 10, 50825 Cologne, Germany**



2018/02/09

Allen Ding

Deputy Chief Engineer, Testing & Certification

Positec Technology (China) Co., Ltd.

18, Dongwang Road, Suzhou Industrial

Park, Jiangsu 215123, P. R. China

# Produktsicherheit

## Allgemeine Sicherheitshinweise für Elektrowerkzeuge



### **WARNUNG: Lesen Sie alle Sicherheitshinweise und Anweisungen.**

Versäumnisse bei der Einhaltung der Sicherheitshinweise und Anweisungen können elektrischen Schlag, Brand und/oder schwere Verletzungen verursachen.

**Lesen Sie die Bedienungsanleitung zum sicheren Betrieb des Gerätes aufmerksam durch.**

**Bewahren Sie alle Sicherheitshinweise und Anweisungen für die Zukunft auf.**

- Dieses Gerät ist nicht zur Verwendung durch Personen (einschließlich Kindern) vorgesehen, die über reduzierte körperliche Eignung, Wahrnehmung oder geistige Fähigkeiten, Mangel an Erfahrung und Wissen verfügen, sofern diese Personen nicht von einer verantwortlichen Person beaufsichtigt oder in der Verwendung des Gerätes unterwiesen wurden.
- Kinder sollten grundsätzlich beaufsichtigt werden, damit sie nicht mit dem Gerät spielen.
- Das Gerät darf nur mit dem mitgelieferten Netzteil verwendet werden.

## **WICHTIG VOR GEBRAUCH BITTE SORGFÄLTIG DURCHLESEN UND FÜR WEITERE FRAGEN AUFBEWAHREN**

### **Sicherer Betrieb Training**

- Die Anweisungen aufmerksam durchlesen. Machen Sie sich mit den Bedienelementen und dem vorschriftsmäßigen Gebrauch des Rasenmähers vertraut.
- Niemals Kindern oder mit diesen Anweisungen nicht vertrauten Personen erlauben, den Rasenmäher zu benutzen. Nationale Vorschriften können das Alter der Bedienperson möglicherweise beschränken.
- Bedenken Sie, dass der Bediener oder Benutzer bei Unfällen oder Gefährdungen anderer Personen oder deren Eigentum die Verantwortung trägt!

### **Vorbereitung**

- Stellen Sie sicher, dass das Begrenzungskabel gemäß den Anweisungen verlegt wird.
- Inspizieren Sie die Gegend, in der die Ausrüstung eingesetzt werden soll, gründlich und entfernen Sie alle Objekte, die durch die Maschine

aufgeschleudert werden könnten.

- Überprüfen Sie in regelmäßigen Abständen, ob Messer, Messerschrauben und Schneidbalken abgenutzt oder beschädigt sind. Abgenutzte Messer und Schrauben nur im ganzen Satz auswechseln, um Unwuchten zu vermeiden.
- Achten Sie darauf, dass bei Geräten mit mehreren Klingen ein Klingensatz durch den anderen in Rotation versetzt werden kann.
- WARNUNG!** Der Rasenmäher darf nicht betrieben werden, wenn der Schutz nicht angebracht ist.

## **Betrieb**

### **1. Allgemeine Sicherheitshinweise**

- Betreiben Sie das Gerät niemals mit defektem Schutz oder ohne installierte Sicherheitsvorrichtungen, wie etwa Deflektoren;
- Hände und Füße nicht in die Nähe oder unter rotierende Teile bringen. Halten Sie sich stets von der Austrittsöffnung fern.
- Niemals den Rasenmäher bei laufendem Motor anheben oder tragen.
- Entfernen Sie die Sperrvorrichtung vom Gerät
  - vor dem Beseitigen einer Verstopfung;
  - vor dem Überprüfen, Reinigen oder Arbeiten am Gerät.
- Der ursprüngliche Zustand des Kress MissionNANO™ darf nicht modifiziert werden. Alle Änderungen erfolgen auf eigene Verantwortung.
- Starten Sie den Roboter-Rasenmäher gemäß Anweisungen. Bringen Sie Ihre Hände und Füße niemals unter den Rasenmäher.
- Erlauben Sie niemandem, der sich mit den Funktionen und Verhaltensmustern des Kress MissionNANO™ nicht auskennt, den Mäher zu benutzen.
- Keine Gegenstände auf den Kress MissionNANO™ oder seine Ladestation legen.
- Wenn der Messerteller oder das Gehäuse defekt ist, darf der Kress MissionNANO™ nicht in Betrieb genommen werden. Das gleiche gilt für defekte Messer, Schrauben, Muttern oder Kabel.
- Schalten Sie den Roboter-Rasenmäher stets aus, wenn dieser nicht verwendet wird.
- Halten Sie Hände und Füße von den rotierenden Rasenmäherklingen fern. Halten Sie mit Ihren Händen und Füßen stets einen sicheren Abstand zum Gehäuse ein, solange der Rasenmäher in Betrieb ist.
- Vermeiden Sie die Nutzung der Maschine und deren Peripheriegeräten bei schlechtem Wetter, besonders wenn die Gefahr eines Blitzschlags.
- Berühren Sie sich bewegende gefährliche Teile nicht, bevor diese vollständig zum Stillstand gekommen sind.

## 2. Hinweis zum Automatikbetrieb des Roboters

- a) Den Kress MissionNANO™ niemals unbeaufsichtigt verwenden, wenn sich Personen – besonders Kinder – oder Haustiere in der Nähe aufhalten.

### Wartung und Lagerung



**WARNUNG! Wenn die Maschine angehalten wird zwecks Wartung, Inspektion oder Lagerung, oder um die Klingen zu wechseln, entfernen Sie den Schlüssel von der Maschine und stellen Sie sicher, dass die Klingen komplett angehalten haben.**

- a) Stellen Sie den festen Sitz aller Schrauben, Muttern und Bolzen sicher, um zu gewährleisten, dass sich der Rasenmäher in einem betriebssicheren Zustand befindet.
- b) Den Kress MissionNANO™ einmal pro Woche kontrollieren und eventuell beschädigte oder verschlissene Teile austauschen.
- c) Messer und Messerteller besonders sorgfältig auf Schäden untersuchen. Bei Bedarf alle Messer und Schrauben gleichzeitig austauschen, um eine Unwucht der rotierenden Teile zu vermeiden.
- d) Verwenden Sie beim Austausch nur Original Kress Messer.
- e) Verwenden Sie zum Laden des Akkus nur das vom Hersteller empfohlene Ladegerät. Eine nicht den Hinweisen entsprechende Verwendung kann zu einem Stromschlag, zur Überhitzung oder zum Auslaufen der Batterieflüssigkeit führen.
- f) Tritt Batterieflüssigkeit aus, beseitigen Sie sie mit Wasser und einem neutralen Reinigungsmittel. Kommt sie mit Augen etc. in Kontakt, suchen Sie sofort einen Arzt auf.
- g) Warten Sie den Roboter nach den Anweisungen des Herstellers.

### Empfehlung

Schließen Sie die Maschine und/oder deren Peripheriegeräte nur an einen Speisestromkreis an, der über einen Fehlerstromschutzschalter (RCD) mit einem Auslösestrom von nicht mehr als 30 mA verfügt.

### Restrisiken

Um Verletzungen zu vermeiden, tragen Sie beim Wechseln der Klingen Schutzhandschuhe.

### Transport

Für längere Transporte legen Sie den Kress MissionNANO™ am besten in die Originalverpackung.  
Für einen sicheren Transport vom oder innerhalb des Arbeitsbereichs:

- a) Drücken Sie die STOP -Taste, um den Mäher zu stoppen.
- b) Schalten Sie den Roboter-Rasenmäher immer aus, wenn Sie diesen tragen möchten.
- c) Den Mäher an seinem Griff ganz hinten unten tragen. Halten Sie den Messerteller beim Tragen des Mähers vom Körper weg.

### Sicherheitshinweise bezüglich des Akkus im Werkzeug

- a) Zellen bzw. Akku nicht zerlegen, öffnen oder zerdrücken.
- b) Akku nicht kurzschließen. Akkus nicht wahllos in einer Schachtel oder Schublade aufbewahren, wo sie einander kurzschließen oder durch andere leitfähige Materialien kurzgeschlossen werden könnten. Bei Nichtverwenden des Akkus ist dieses von Metallgegenständen, wie etwa Büroklammern, Münzen, Nägeln, Schrauben oder anderen kleinen Metallgegenständen fernzuhalten, wo sich die Batterieklemmen berühren können. Das Kurzschließen der Batterieklemmen kann Verbrennungen bzw. einen Brand verursachen.
- c) Zellen bzw. Akkus nicht Hitze oder Feuer aussetzen. Lagerung in direktem Sonnenlicht vermeiden.
- d) Akku nicht mechanischen Stößen aussetzen.
- e) Im Fall, dass Flüssigkeit aus dem Akku austritt, darf diese nicht in Kontakt mit der Haut oder den Augen kommen. Sollte dies dennoch geschehen, den betroffenen Bereich sofort mit viel Wasser spülen und einen Arzt aufsuchen.
- f) Beim Verschlucken einer Zelle oder eines Akkus muss sofort ein Arzt herangezogen werden.
- g) Akku sauber und trocken halten.
- h) Akkus funktionieren bei normaler Zimmertemperatur (20 °C ± 5 °C) am besten.
- i) Beim Entsorgen von Akkus sollten Akkus mit verschiedenen elektrochemischen Systemen voneinander getrennt gehalten werden.
- j) Nur mit dem von Kress bezeichneten Ladegerät aufladen. Kein Ladegerät verwenden das nicht ausdrücklich für den Gebrauch mit dem Gerät vorgesehen ist. Ein Ladegerät, das für eine bestimmte Art von Akku geeignet ist, kann bei Verwendung mit einem anderen Akku eine Brandgefahr darstellen.
- k) Keinen Akku verwenden der nicht für den Gebrauch mit dem Gerät vorgesehen ist.
- l) Akkus von Kindern fernhalten.
- m) Die originalen Produktunterlagen zum späteren Nachschlagen aufbewahren.
- n) Ordnungsgemäß entsorgen.



# Symbole



WARNUNG–Rasenmäroboter können bei unsachgemäßer Verwendung gefährlich sein. Lesen Sie die Bedienungsanleitung sorgfältig durch und verstehen Sie deren Inhalt, bevor Sie Ihren Rasenmäroboter betreiben.



WARNUNG- Halten Sie einen Sicherheitsabstand wenn der Roboter-Rasenmäher in Betrieb ist.



WARNUNG – Entfernen Sie die Sperrvorrichtung, ehe Sie an der Maschine arbeiten oder Sie diese hochheben.



WARNUNG – RASENMÄHROBOTER darf nicht als Transportmittel missbraucht werden.



Gerät der Klasse III



Elektroprodukte dürfen nicht mit dem normalen Haushaltsmüll entsorgt werden, sondern sollten nach Möglichkeit zu einer Recyclingstelle gebracht werden. Ihre zuständigen Behörden oder Ihr Fachhändler geben Ihnen hierzu gerne Auskunft.



Akku nicht in den Haushaltsmüll geben. Bringen Sie den leeren Akku zu Ihrer lokalen Sammel- oder Recyclingstelle.



Nicht im Feuer entsorgen

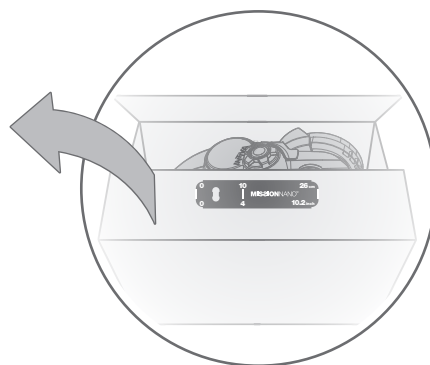
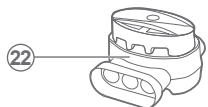
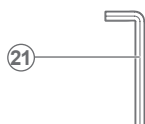
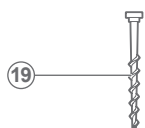
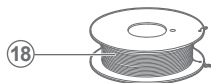
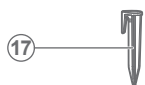
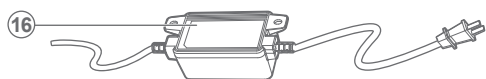
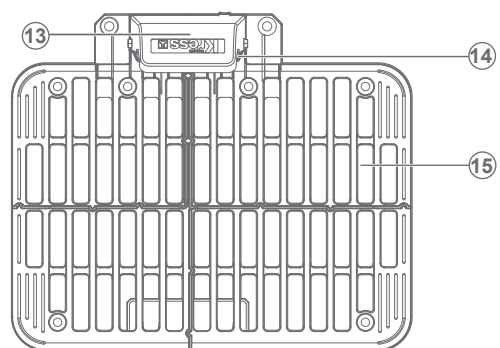
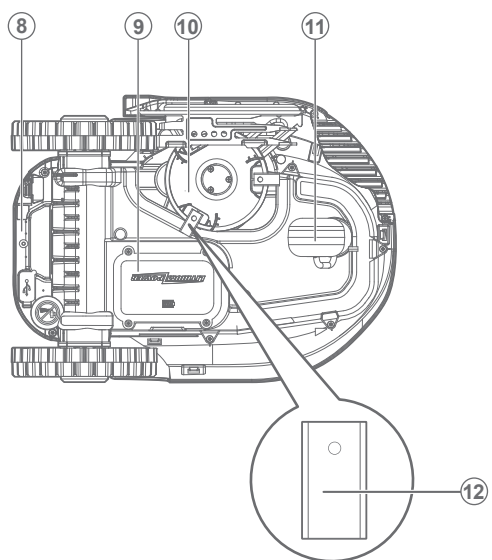
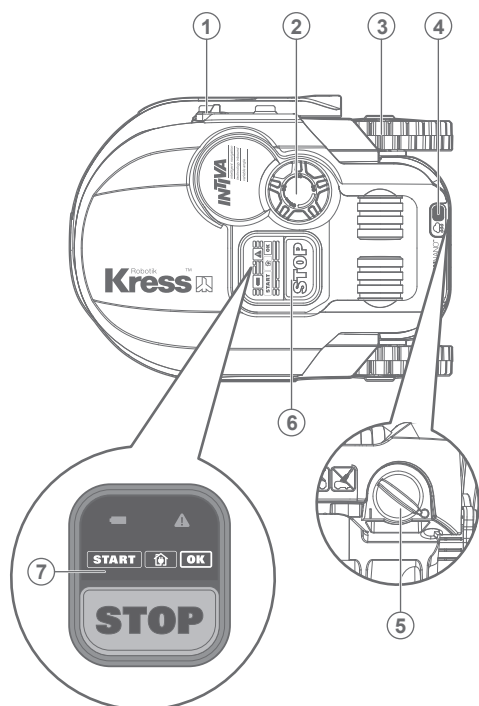


Vor Regen und Feuchtigkeit schützen



Waschen Sie das Gerät nicht mit einem Hochdruckreiniger.

# Komponenten



- |   |                                       |
|---|---------------------------------------|
| 1. Ladestreifen                             | 12. Messer                            |
| 2. Drehknopf Zum Einstellen Der Schnitthöhe | 13. Schutzhaube                       |
| 3. Hinteres Antriebsrad                     | 14. Kontaktstifte                     |
| 4. Regensensor                              | 15. Ladestation                       |
| 5. Ein/Aus-Schalter                         | 16. Netzteil                          |
| 6. Stopptaste                               | 17. Heringe                           |
| 7. Bedienfeld                               | 18. Begrenzungskabel                  |
| 8. Griff                                    | 19. Ladestation-befestigungsschrauben |
| 9. Akku                                     | 20. Begrenzungskabel-abstandlehre     |
| 10. Messerteller                            | 21. Inbusschlüssel                    |
| 11. Vorderrad                               | 22. Verbindungsstück                  |


## Technische daten

Typ **KR100 (100-199 - Bezeichnung der Maschine, repräsentiert den Rasenmäroboter)**

Nennleistung	20V $\overline{=}$ Max.*
Leerlaufdrehzahl	2800/min
Schneidebereich	600m <sup>2</sup>
Schnittbreite	18cm
Schnitthöhe	30-60mm
Schnitthöhenverstellung	4
Batterietyp	Lithium-ion
Akkumodell	KA0101
Ladezeit Ca.	2stunden
Ladegerätmodell	KA0200 / KA0201
Leistung des Ladegeräts	Eingang: 100-240V~50/60Hz, 38W, Ausgang: 20V, 1.5A
Gewicht	8.8kg
Schutzklasse	III
App	Y
Frequenzband des integrierten WLAN-Moduls (GHz)	2.412GHz-2.484GHz
Max. Hochfrequenzleistung des integrierten WLAN-Moduls	802.11b:+16±2dBm(@11Mbps) 802.11g:+14±2dBm(@54Mbps) 802.11n:+13±2dBm(@HT20,MCS7)

\* Spannung ohne Arbeitslast gemessen. Die anfängliche Akkuspannung erreicht maximal 20 Volt. Die Nennspannung liegt bei 18 Volt.

# Informationen über lärm

Gewichteter Schalldruck	$L_{pA} = 47.6 \text{ dB (A)}, K_{pA} = 3.0 \text{ dB(A)}$
Gewichtete Schalleistung	$L_{wA} = 67.6 \text{ dB (A)}, K_{wA} = 3.0 \text{ dB(A)}$
Tragen Sie einen Schallschutz bei einem Schalldruck über	80dB(A) 

Eine gewisse Geräuscentwicklung der Maschine ist unvermeidlich. Die Durchführung geräuschintensiver Arbeiten benötigt eine Zulassung und muss in bestimmten Zeiten eingeschränkt werden. Halten Sie Ruhephasen ein und beschränken Sie die Arbeitsstunden auf ein Minimum. Zu Ihrem eigenen Schutz und den von Personen, die sich in der Nähe befinden, muss ein geeigneter Gehörschutz getragen werden.

## Zubehörteile

Schrauben	9
Ladestation	1
Fixierungsnägel für Ladestation	8
Begrenzungskabel	150m
Heringe	210
Inbusschlüssel	1
Begrenzungskabel Abstandslehre	2
Messer	9
Akkupack (KA0101)	1
Lader (KA0200 / KA0201)	1
Verbindungsstück	2

20

De

Wir empfehlen Ihnen, sämtliche Zubehörteile beim selben Fachhändler zu beziehen, bei dem Sie auch Ihr Elektrowerkzeug oder Gartengerät gekauft haben. Weitere Informationen finden Sie auf der Verpackung der Zubehörteile. Auch Ihr Fachhändler berät Sie gerne.

## Bestimmungsgemäßer Gebrauch

Dieses Produkt ist bestimmt für das Rasenmähen im privaten Bereich. Er ist zum häufigen Mähen bestimmt – er hält Ihren Rasen gesund und dieser wird gepflegter aussehen als je zuvor. Je nach Größe des Rasens kann der MissionNANO™ so programmiert werden, dass er zu jeder beliebigen Zeit und mit jeder beliebigen Frequenz uneingeschränkt arbeitet. Es ist nicht zum Graben, Reinigen oder Schneeräumen konzipiert.

## Wartung

Ihr MissionNANO™ muss hin und wieder überprüft werden. Der MissionNANO™ arbeitet hart und verdient daher von Zeit zu Zeit eine ordentliche Reinigung oder einen Austausch von Verschleißteilen. Verwenden Sie niemals Ihren MissionNANO™, wenn der Ein/Aus Schalter defekt ist.

Schalten Sie die Maschine aus, ehe Sie jegliche Reparatur- oder Wartungsarbeiten ausführen.

In Folgenden möchten wir Ihnen erklären, wie Sie Ihren neuen MissionNANO™ am besten an sein neues Umfeld gewöhnen und ihm die Pflege zukommen lassen, die er verdient.

# 1

Immer schön scharf

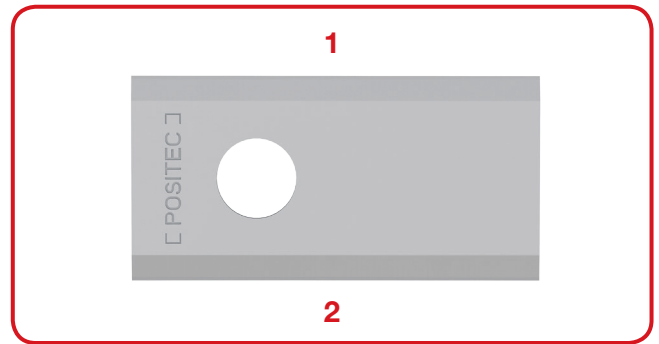


**WARNUNG:** Bevor Sie den MissionNANO™ reinigen, einstellen oder die Messer auswechseln, schalten Sie Ihren MissionNANO™ AUS und ziehen Sie Schutzhandschuhe an.



**WARNUNG:** Beim Austausch der Messer Wechslen Sie bei einem Austausch unbedingt grundsätzlich alle Messer auf einmal. Verwenden Sie beim Fixieren der Messer stets neue Schrauben. Das ist wichtig, um den Klingenhalt sicherzustellen und die Klingendrehscheibe auszuwuchten. Falls Sie keine neuen Schrauben verwenden, kann dies zu schweren Verletzungen führen.

Der MissionNANO™ schneidet Gras nicht wie andere Rasenmäher. Seine Messer sind an 2 Kanten rasiermesserscharf und wirbeln zum perfekten Schnitt in beide Richtungen. Jedes Messer Ihres MissionNANO™ ist mit 2 Schneiden ausgestattet. Die rotierenden Klingen macht willkürliche Vor- und Rückwärtsbewegungen, damit beide Seiten der Klingen genutzt werden. Dadurch kann die Häufigkeit beim Wechseln der Schneidklinge minimiert werden. Die einzelnen Messer halten bis zu 2 Monate, wenn täglich gemäht wird. Schauen Sie immer nach, ob die Messer angeschlagen oder anderweitig beschädigt sind; falls ja, wechseln Sie die Messer aus. Wenn die Messer stumpf und verschlissen sind, sollten sie durch die Ersatzmesser ersetzt werden, die mit Ihrem MissionNANO™ geliefert wurden. Ersatzmesser erhalten Sie auch beim Kress-Händler in Ihrer Nähe.



## A. Messer austauschen

Nach einer Weile (normalerweise einmal pro Saison) müssen die Messer Ihres MissionNANO™ komplett ausgewechselt werden. Tauschen Sie also unbedingt immer alle Messer auf einmal aus. Zum Austausch können Sie einen der Ersatzmessersätze und die zusätzlichen Messerschrauben verwenden, die mit Ihrem MissionNANO™ geliefert wurden.

Vor dem Austausch der Messer schalten Sie den MissionNANO™ unbedingt ab und ziehen Schutzhandschuhe über! Dann führen Sie diese Schritte aus:

1. Drehen Sie den MissionNANO™ sanft auf den Rücken.
2. Entfernen Sie die Batterieabdeckung und entnehmen Sie den Akku.
3. Lösen Sie die Messerschrauben mit einem Schlitz- oder schraubendreher.
4. Schrauben Sie die neuen Messer gut fest.
5. Setzen Sie den Akku ein, und bringen Sie die Batterieabdeckung wieder an.



**Wichtig: Überzeugen Sie sich nach dem Verschrauben der Messer, dass sich diese frei drehen lassen.**

## 2

### Sauber halten



**WARNUNG:** Bevor Sie Ihren MissionNANO™ reinigen, schalten Sie ihn AUS. Ziehen Sie Schutzhandschuhe über, bevor Sie die Messerscheibe reinigen; nutzen Sie dazu kein fließendes Wasser.

#### A. Gehäuse reinigen

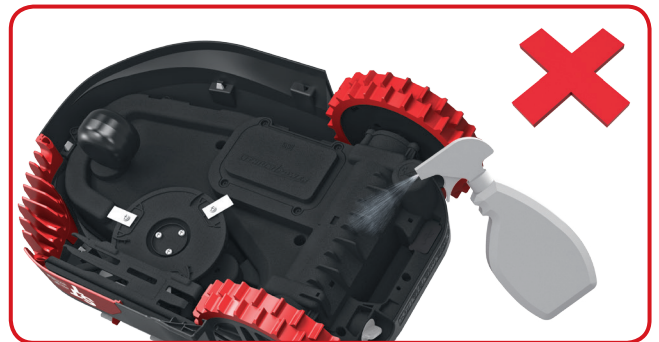
Ihr MissionNANO™ fühlt sich deutlich wohler und lebt länger, wenn Sie ihn regelmäßig reinigen. Da Ihr MissionNANO™ im Grunde ein Elektrogerät ist, müssen Sie beim Reinigen mit einer gewissen Sorgfalt vorgehen - **verwenden Sie deshalb KEINEN Schlauch oder Hochdruckreiniger bzw. ertränken Sie Ihren MissionNANO™ nicht mit fließendem Wasser;** greifen Sie am besten zu einer mit Wasser gefüllten Sprühflasche. Reinigen Sie das Kunststoffgehäuse mit einer weichen Bürste oder einem Tuch, verzichten Sie auf Lösungsmittel und Polituren. Achten Sie gut darauf, dass sämtliche Grasreste und sonstige Rückstände gründlich entfernt werden.



#### B. Unterseite reinigen

Nicht vergessen, ganz wichtig: Schalten Sie den MissionNANO™, **ziehen Sie Schutzhandschuhe über, bevor Sie den Messerteller berühren!**

Drehen Sie zuerst Ihren MissionNANO™ um, so dass die Unterseite exponiert wird. Nun sehen Sie den Messerteller, den umgebenden Motorgehäuserahmen sowie die Vorderräder und Antriebsräder. Reinigen Sie alles gründlich mit einer weichen Bürste oder mit einem feuchten Lappen.



**WARNUNG:** Reinigen Sie **NIEMALS** die Unterseite des MissionNANO™ mit fließendem Wasser. Es können Schäden an den Komponenten auftreten. Drehen Sie das Schneidrad um sicherzustellen, dass es frei dreht. Prüfen Sie, dass sich die Klingen problemlos um die Befestigungsschrauben drehen. Beseitigen Sie alle Hindernisse.

**Wichtig:** Entfernen Sie **sämtliche (auch die kleinsten) Rückstände, damit es nicht zu Rissen in der Messerscheibe kommt. Auch der winzigste Riss kann die Mähleistung Ihres MissionNANO™ beeinträchtigen.**



#### C. Kontakte und Ladestreifen reinigen

Reinigen Sie die Kontakte an der Ladestation und den Ladestreifen am MissionNANO™ mit einem Tuch. Entfernen Sie sämtliche Grasreste und sonstige Rückstände rund um die Kontakte und Ladestreifen regelmäßig, damit sich der MissionNANO™ stets problemlos aufladen kann.

# 3

## Akkulaufzeit und -haltbarkeit

Das Herzstück des MissionNANO™ ist sein 20V-Lithiumbatterie. Für eine ordnungsgemäße Lagerung des Akkus ist sicherzustellen, dass er voll aufgeladen an einem, trockenen Ort (zwischen -20°C und 60°C) aufbewahrt wird.

**HINWEIS:** Die empfohlene Betriebstemperatur des MissionNANO™ liegt zwischen 0-55°C.

Die Lebenserwartung des MissionNANO™-Akkus hängt von unterschiedlichen Faktoren ab; beispielsweise:

- Dauer der Schönwettersaison (der „Mähseason“) an Ihrem Wohnort.
- MissionNANO™-Arbeitsstunden pro Tag
- Art und Weise der Akkulagerung

MissionNANO™ kann ohne das Begrenzungskabel manuell aufgeladen werden.

1. Schließen Sie die Ladestation an eine geeignete Stromversorgung an. Die grüne Lampe der Ladestation erleuchtet grün.
2. Docken Sie den MissionNANO™ manuell an die Ladestation an, während der MissionNANO™ ausgeschaltet ist.
3. Die grüne Lampe der Ladestation erleuchtet rot. Der MissionNANO™ beginnt mit dem Ladevorgang.



# 4

## Überwintern

Ihr MissionNANO™ lebt länger und gesünder, wenn Sie ihm einen wohlverdienten Winterschlaf gönnen. Obwohl der MissionNANO™ ein zäher Bursche ist, sollten Sie ihm im Winter einen Platz im Schuppen oder in der Garage zugestehen.

Bevor Sie Ihren MissionNANO™ in den Winterschlaf entlassen, sollten Sie noch Folgendes erledigen:

- Reinigen Sie Ihren MissionNANO™ gründlich.
- Laden Sie den Akku komplett auf.
- Schalten Sie das Gerät ab.

Zum Maximieren der Lebensdauer des Akkus wird empfohlen, den Akku vor dem Lagern im Winter voll aufzuladen.



**WARNUNG: Schützen Sie die Unterseite des MissionNANO™ vor Wasser. Lagern Sie den MissionNANO™ NIEMALS draußen falsch herum.**

Das Begrenzungskabel kann im Boden verbleiben; seine Enden sollten Sie jedoch vor der Witterung schützen – zum Beispiel, indem Sie ein mit Fett gefülltes Döschen darüber stülpen. Falls die Ladebasis im Winter draußen verbleibt, lassen Sie das Begrenzungskabel angeschlossen.

**HINWEIS:** Wenn Sie den MissionNANO™ wieder aus seinem Winterschlaf erwecken, sorgen Sie dafür, dass die Ladestreifen und die Kontaktstreifen gründlich sauber sind; dies können Sie mit feinem Schleifpapier erledigen. Stellen Sie mit der App sicher, dass Datum und Uhrzeit korrekt sind, und schicken Sie den MissionNANO™ zurück zu der Aufgabe, die er liebt: Mähen.

# 5

## Akku austauschen



**WARNUNG:** Schalten Sie das Gerät unbedingt mit der Ein-/Austaste aus, bevor Sie sich Einstellungen, Austausch oder Reparatur zuwenden!

Bevor Sie die Messer auswechseln, schalten Sie Ihren MissionNANO™ AUS und ziehen Sie Schutzhandschuhe an.

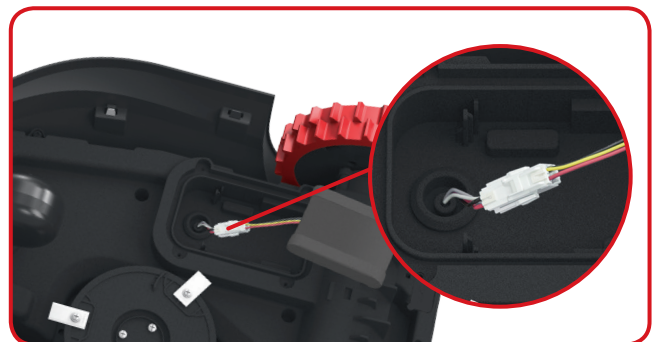
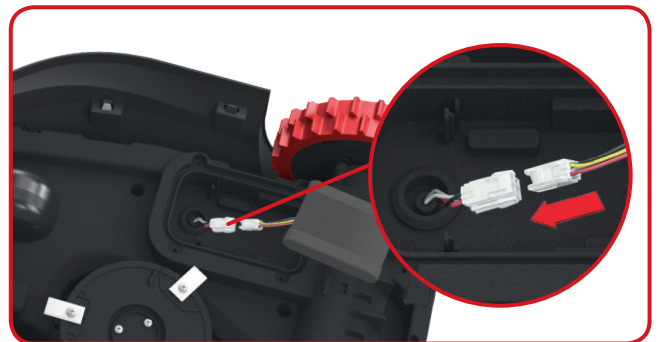
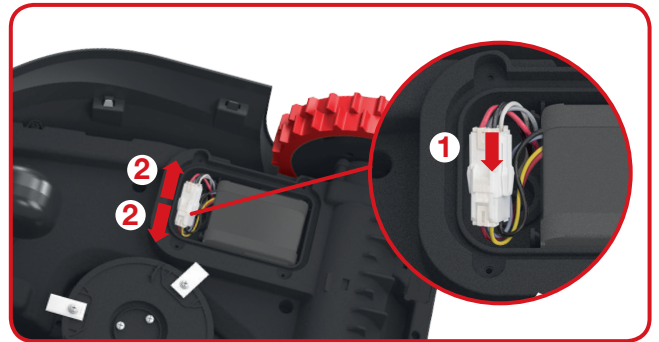
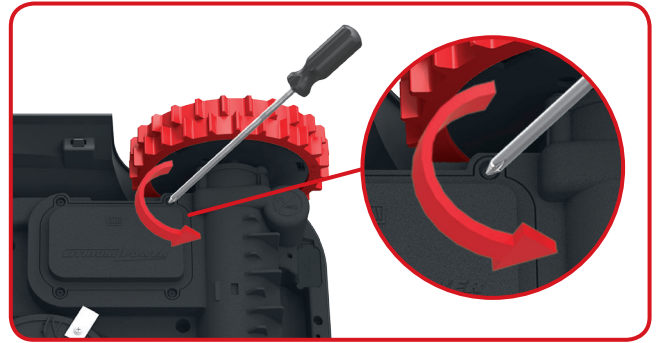
Wenn der Akku ausgetauscht werden muss, erledigen Sie dies mit den folgenden Schritten:

1. Drehen Sie Ihren MissionNANO™ sanft auf den Rücken.
2. Lösen Sie die Schrauben an der Abdeckung. Entfernen Sie die Abdeckung des Batteriefachs
3. Nehmen Sie die alte Batterie vorsichtig heraus. Drücken Sie die Verriegelung und lösen Sie die Steckverbinder.

**HINWEIS:** Nicht an den Drähten ziehen. Halten Sie die Verbindungen fest und lösen Sie den Riegel.

4. Verbinden Sie eine neue, Original Batterie, indem Sie die Verbindungen zusammenbringen, bis diese in Position sind .

5. Montieren Sie den Akku wie abgebildet. Platzieren Sie die Abdeckung erneut in ihre Position und ziehen Sie die Schrauben gut an





# Fehlerbehebung bei der Installation

Falls Ihr MissionNANO™ nicht richtig arbeiten sollte, schauen Sie sich bitte die nachstehende Anleitung zur Problemlösung an.

Problem	Ursache	Abhilfe
Die LED an der Ladebasis leuchtet nicht auf.	Kein Strom.	Prüfen Sie, ob das Netzkabel ordnungsgemäß an das Ladegerät und dieses an eine passende Stromversorgung angeschlossen ist.
Die grüne LED auf der Ladestation blinkt.	Des Begrenzungskabel ist nicht angeschlossen.	Prüfen Sie, dass das Begrenzungskabel ordnungsgemäß an die Ladestation angeschlossen wurde. Prüfen Sie, dass es keine Brüche im Begrenzungskabel gibt, besonders an den Kabelenden.
Ihr MissionNANO™ befindet sich innerhalb seines Gebiets und der Begrenzungsdraht ist verbunden. Die Lampe für die Fehleranzeige blinkt rot.	Die Begrenzungskabelenden sind falsch angeschlossen.	Vertauschen Sie die Enden des Begrenzungskabels.
Der MissionNANO™ kann nicht richtig an die Ladestation andocken.	Umwelteinflüsse.	Starten Sie den MissionNANO™ nochmals
	Schlechte Verbindung durch Verschmutzung des Ladestreifens.	Reinigen Sie die Kontakte an der Ladestation und die Kontakte am MissionNANO™.
Der MissionNANO™ fährt außerhalb des Begrenzungskabels. Der MissionNANO™ mäht einen Bereich außerhalb des Begrenzungskabelbereichs. Der MissionNANO™ dreht sporadisch am Begrenzungskabel um bzw. fährt zurück.	Der Begrenzungsdraht eines anderen MissionNANO™ oder eines anderen Marken-Rasenroboters ist zu nahe positioniert.	Stellen Sie sicher, dass der Begrenzungsdraht Ihres MissionNANO™ mindestens 1m vom benachbarten Begrenzungsdraht entfernt ist.
	Der Begrenzungsdraht wurde mit scharfen Ecken installiert.	Überprüfen Sie den Begrenzungsdraht und stellen Sie sicher, dass die Ecken abgerundet sind.
	Bei feuchten Bedingungen kann das elektrische Signal aus dem Begrenzungskabel austreten, wenn das Kabel verbunden oder repariert wurde.	Überprüfen Sie die Verbindungspunkte des Begrenzungskabels. Isolieren Sie diese, um eine absolut wasserdichte Verbindung zu gewährleisten.
	Aufgrund einer defekten Isolierung kann das elektrische Signal aus dem Begrenzungskabel austreten.	Reparieren Sie die beschädigte Isolierung des Begrenzungsdrahts mithilfe von Verbindungen.
	Der Schneidebereich ist größer als der zulässige Schneidebereich des MissionNANO™.	Verringern Sie den Mähbereich.
Aufgrund der hohen Geschwindigkeit beim Hinunterfahren eines Abhangs schießt der MissionNANO™ über den Begrenzungsdraht hinaus.	Der Begrenzungsdraht befindet sich auf einem Gefälle, das 17% (10°) überschreitet.	Verlegen Sie den Begrenzungsdraht entfernt von Steigungen über 17% (10°).

# Umweltschutz



Elektroprodukte dürfen nicht mit dem normalen Haushaltsmüll entsorgt werden, sondern sollten nach Möglichkeit zu einer Recyclingstelle gebracht werden. Bitte erkundigen Sie sich bei der örtlichen Behörde oder beim Vertragshändler über Müllsammlung und -Entsorgung.

## Konformitätserklärung

Wir,  
Positec Germany GmbH  
Grüner Weg 10, 50825 Cologne, Germany

Erklären Hiermit, Dass Unser Produkt  
Beschreibung **Roboter-Rasenmäher**  
Typ **KR100 (100-199 - Bezeichnung der Maschine, Repräsentant der Roboter-Rasenmäher) (Jahr, Artikelnummer und Monat der Seriennummer sind auf der Rückseite angegeben. Die vollständige Seriennummer ist auf dem Gehäuse des Rasenmähers deutlich sichtbar aufgedruckt) mit Batterieladegerät KA0200 / KA0201 und Ladestation KA0070**  
Funktion **Grasschnitt**

Den Bestimmungen der folgenden Richtlinien entspricht:  
**2006/42/EC, 2014/30/EU, 2014/35/EU, 2011/65/EU, 2000/14/EC geändert durch 2005/88/EC, 2014/53/EU**

**26** 2000/14/EC geändert durch 2005/88/EC  
**De** - Konformitätsbewertungsverfahren nach **Annex V**  
- Gemessene Schalleistung **67.6 dB (A)**  
- Garantierte Schalleistung **68 dB (A)**

Normen:

**EN 60335-1:2012+A11:2014, EN 50636-2-107:2015, EN 60335-2-29:2004+A2:2010, EN 62233:2008, EN ISO 3744:2005, EN 55014-1:2006+A1:2009+A2:2011, EN 61000-3-2:2014, EN 61000-3-3:2013, EN 55014-2:2015, EN 61558-1:2005+A1:2009, EN 61558-2-16:2009+A1:2013, EN 300 328 V2.1.1, EN 301 489-1 V2.1.1, EN 301 489-17 V3.1.1, EN 62311:2008**

Zur Kompilierung der technischen Datei ermächtigte Person,

**Name** Marcel Filz  
**Anschrift** Positec Germany GmbH, Grüner Weg 10, 50825 Cologne, Germany

2018/02/09  
Allen Ding  
Stellvertretender Chefsingenieur, Prüfung und Zertifizierung  
Positec Technology (China) Co., Ltd.  
18, Dongwang Road, Suzhou Industrial  
Park, Jiangsu 215123, P. R. China

# Sécurité du produit

## Mises en garde générales et complémentaires



### **ATTENTION : Lisez toutes les mises en garde et toutes les instructions.**

Le non-respect des mises en garde et des instructions peut être à l'origine d'électrocutions, d'incendies et/ou de blessures graves.

**Lisez attentivement le manuel d'utilisation afin d'utiliser l'appareil d'une manière sécurisée. Gardez le mode d'emploi et les mises en garde pour pouvoir vous y référer ultérieurement.**

- Cet appareil n'est pas conçu pour être utilisé par des personnes aux capacités physiques, mentales, sensorielles réduites, ou manquant d'expérience et de connaissances (y compris les enfants), sauf si une personne responsable de leur sécurité leur a donné les indications nécessaires ou les surveille pendant l'utilisation.
- Il convient de surveiller les enfants pour s'assurer qu'ils ne jouent pas avec l'appareil.
- L'appareil ne doit être utilisé qu'avec l'alimentation fournie avec celui-ci.

## **IMPORTANT**

**LISEZ ATTENTIVEMENT LE MODE D'EMPLOI AVANT D'UTILISER L'APPAREIL CONSERVEZ-LE POUR RÉFÉRENCE ULTÉRIEURE**

### **Pratiques de travail sûres Apprentissage**

- Lisez attentivement le mode d'emploi. Vous devez impérativement comprendre les instructions et vous familiariser avec les contrôles et le mode d'utilisation de l'appareil.
- Ne laissez en aucun cas l'appareil à un enfant ou à une personne n'ayant pas pris connaissance du mode d'emploi. Les réglementations locales définissent parfois des limites d'âge pour l'utilisateur.
- L'utilisateur est responsable des accidents et des dommages causés à d'autres personnes ou à leurs biens.

### **Préparation**

- Veillez à ce que le câble périphérique soit correctement installé en suivant les instructions.
- Inspectez régulièrement la zone où l'appareil doit être utilisé et enlevez toutes les pierres, tous les bâtons, câbles, os et autres objets étrangers.
- Procédez régulièrement à un examen visuel des lames, des boulons de lame et de l'unité de coupe pour vous assurer qu'ils ne sont ni usés,

ni endommagés. Afin de préserver l'équilibre de la machine, changez toujours les lames et leurs boulons en même temps.

- Sur les appareils comportant plusieurs arbres, veuillez noter que la rotation d'une lame peut entraîner la rotation des autres lames.
- ATTENTION:** Ne faites jamais fonctionner l'appareil si l'une de ses protections est défectueuse ou si l'un de ses dispositifs de sécurité n'est pas en place.

## **Utilisation**

### **1. Généralités**

- Ne faites jamais fonctionner l'appareil si l'une de ses protections est défectueuse ou si l'un de ses dispositifs de sécurité n'est pas en place (ex: les déflecteurs).
- N'approchez jamais les mains ou les pieds des parties rotatives, et ne les mettez jamais sous l'appareil. Ne vous mettez jamais en travers de l'ouverture d'évacuation.
- Ne soulevez jamais et ne portez jamais une tondeuse dont le moteur est en marche.
- Retirez la clé de l'appareil.
  - Avant de le débloquent;
  - Avant d'inspecter, de nettoyer ou de travailler sur l'appareil.
- Il n'est pas permis de modifier le design d'origine du robot tondeuse. Toute modification effectuée est à vos risques et périls.
- Démarrer la tondeuse à gazon robotique conformément aux instructions. Ne jamais mettre vos mains ou pieds sous la tondeuse.
- Ne laissez en aucun cas la tondeuse à une personne non familiarisée avec l'appareil et son mode d'utilisation.
- Ne posez jamais des objets sur le robot ou sur le socle de recharge.
- Ne faites jamais fonctionner le robot si le boîtier ou l'une des lames sont endommagés. L'appareil ne doit pas être utilisé si les lames, les vis, les écrous ou les câbles sont endommagés.
- Toujours éteindre la tondeuse à gazon robotique lorsque vous n'avez pas l'intention de l'utiliser.
- Maintenez vos mains et pieds éloignés des lames rotatives. Ne placez jamais vos mains ou pieds à proximité ou sous le corps lorsque la tondeuse automatique est en marche.
- Éviter d'utiliser la machine et ses périphériques dans de mauvaises conditions météorologiques, en particulier, lorsqu'il existe un risque d'éclair.
- Ne pas toucher de pièces mobiles dangereuses avant que celles-ci ne s'arrêtent complètement.

### **2. Mise en garde complémentaire en cas de fonctionnement automatique**

- Ne laissez pas la machine fonctionner sans

surveillance si vous savez que des personnes (notamment des enfants) ou des animaux domestiques se trouvent à proximité.

## Entretien et rangement



**AVERTISSEMENT! Quand la machine est arrêtée pour entretien, inspection ou stockage, ou pour remplacer les lames, retirez la clé de la machine et assurez-vous que les lames sont à l'arrêt complet.**

- a) Veillez à ce que tous les écrous, vis et boulons soient bien serrés, afin de vous assurer que l'appareil reste en bon état de marche.
- b) Inspectez le robot tondeuse régulièrement et, par sécurité, remplacez toute pièce usée ou endommagée.
- c) Assurez-vous que les lames et le disque de coupe ne sont pas endommagés. Afin d'assurer l'équilibre des pièces rotatives, changez toujours les lames et les vis en même temps.
- d) Les accessoires de coupe de rechange doivent impérativement être du même type que ceux d'origine.
- e) Rechargez toujours la batterie avec le chargeur fourni par le fabricant. Toute utilisation incorrecte peut être à l'origine d'un choc électrique, d'une surchauffe ou d'une fuite du liquide corrosif de la batterie.
- f) En cas de fuite d'électrolyte et de contact avec les yeux, rincez abondamment avec de l'eau ou un agent neutralisant et appelez les urgences.
- g) Toute réparation sur l'appareil doit s'effectuer d'une manière conforme aux instructions du fabricant.

## Recommandation

Connecter uniquement la machine et/ou ses périphériques à un circuit d'alimentation protégé par un dispositif de courant résiduel (RCD) avec un courant de déclenchement ne dépassant pas 30 mA.

## Risques résiduels

Pour éviter les blessures, porter des gants de protection lors du remplacement des lames.

## Déplacer l'appareil

Utilisez l'emballage d'origine pour transporter le robot sur de longues distances.

Pour déplacer l'appareil de ou vers la zone de travail en toute sécurité:

- a) Appuyez sur le bouton STOP pour arrêter la tondeuse.
- b) Toujours éteindre la tondeuse à gazon robotique si lorsque vous avez l'intention de la porter.
- c) Portez la tondeuse en la tenant par la poignée

située à l'arrière, en dessous. Tenez la tondeuse avec le disque de coupe du côté opposé à vous.

## Avertissements de sécurité pour la batterie à l'intérieur de l'appareil

- a) La batterie et les piles secondaires ne doivent pas être ouvertes, démontées ou broyées.
- b) La batterie ne doit pas être court-circuitée. Évitez de mettre la batterie en vrac dans une boîte ou dans un tiroir où elles risqueraient de se court-circuiter entre elles ou au contact d'autres objets métalliques. Après usage, évitez tout contact de la batterie avec d'autres objets métalliques de petite taille (trombones, pièces, clés, clous, vis etc.) susceptibles de court-circuiter les pôles. Un court-circuit entre les pôles de la batterie peut être à l'origine de brûlures ou d'un incendie.
- c) La batterie ne doit pas être exposée au feu et à la chaleur. Évitez de la ranger à la lumière du soleil.
- d) La batterie et les piles ne doivent pas être soumises à des chocs mécaniques.
- e) En cas de fuite des piles, évitez tout contact du liquide avec la peau et les yeux. En cas de contact, rincez abondamment la surface touchée avec de l'eau et appelez les urgences.
- f) En cas d'ingestion d'une pile ou d'une batterie, appelez immédiatement les urgences.
- g) La batterie et les piles doivent rester propres et sèches.
- h) La batterie et les piles fonctionnent au mieux de leur capacité dans une température ambiante normale, comprise entre +15°C et +25°C environ.
- i) Les batteries fonctionnant avec des systèmes électrochimiques différents doivent être mis au rebut séparément.
- j) N'utilisez pas d'autre chargeur que celui spécifié par Kress. N'utilisez pas d'autre chargeur que celui spécifiquement fourni avec l'appareil. Un chargeur destiné à un type de batterie donné peut être à l'origine d'un incendie s'il est utilisé avec une autre batterie.
- k) N'utilisez en aucun cas une batterie autre que celle prévue pour cet appareil.
- l) La batterie doit être tenue hors de portée des enfants.
- m) Gardez la documentation d'origine du produit afin de pouvoir vous y référer ultérieurement.
- n) Respectez les procédures de mise au rebut.

# Symboles



AVERTISSEMENT – ce robot tondeuse peut être dangereux s'il est utilisé de manière incorrecte. Avant d'utiliser le robot tondeuse pour la première fois, vous devez avoir lu et compris le contenu dans son intégralité.



AVERTISSEMENT - Restez à distance de la machine pendant qu'elle fonctionne.



AVERTISSEMENT – Retirez la clé avant de travailler ou de lever la machine.



AVERTISSEMENT – Ne pas s'asseoir sur la machine.



Appareil de classe III



Les déchets d'équipements électriques et électroniques ne doivent pas être déposés avec les ordures ménagères. Ils doivent être collectés pour être recyclés dans des centres spécialisés. Consultez les autorités locales ou votre revendeur pour obtenir des renseignements sur l'organisation de la collecte.



Li-Ion



Ne pas jeter les batteries. Les batteries usagées doivent être déposées dans un centre de collecte local ou dans un centre de recyclage.



Ne pas jeter au feu.

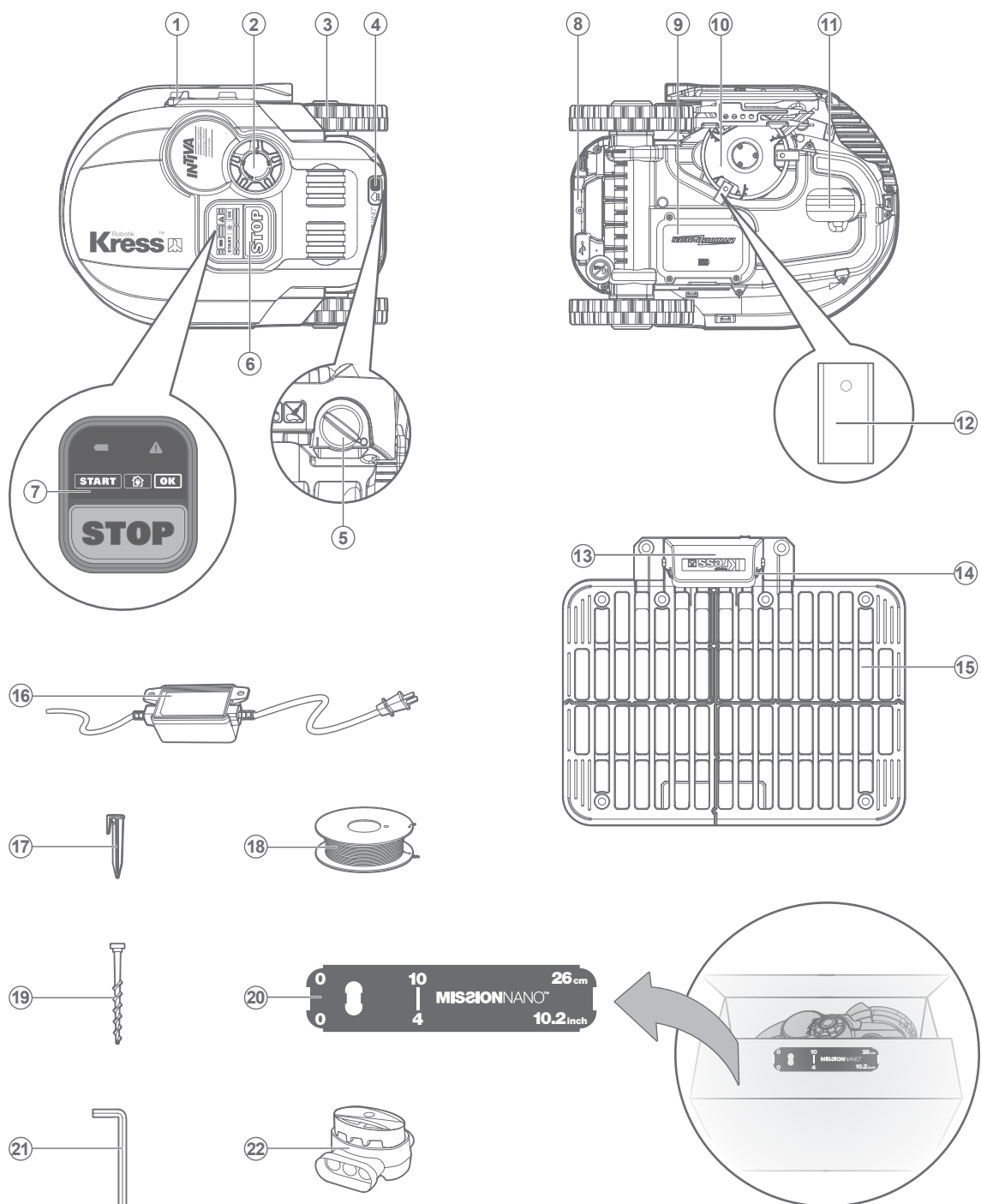


Ne pas exposer à la pluie ou à l'eau.



Ne lavez pas la machine avec un nettoyeur à haute pression.

# Liste des composants



30

Fr

- |   |  |
|---|--|
| 1. Bande De Charge                          | 12. Lames De Coupe                         |
| 2. Bouton De Réglage De La Hauteur De Coupe | 13. Capot De Protection                    |
| 3. Roue Motrice Arrière                     | 14. Broches De Contact                     |
| 4. Capteur Pluviométrique                   | 15. Socle De Chargement                    |
| 5. Bouton Marche/Arrêt                      | 16. Adaptateur D'alimentation              |
| 6. Bouton Stop                              | 17. Chevilles Métalliques                  |
| 7. Tableau De Bord                          | 18. Fil-Barrière                           |
| 8. Poignée                                  | 19. Clous De Fixation De La Base De Charge |
| 9. Batterie                                 | 20. Jauge De Distance Du Fil-Barrière      |
| 10. Disque De Coupe Rotatif                 | 21. Clef Allen                             |
| 11. Roue Avant                              | 22. Connecteur                             |

## Caractéristiques techniques

Modèle **KR100 (100-199 - désignations des pièces, illustration de la Robot de fauchage à pelouse)**

Tension nominale	20V $\overline{=}$ Max.*
Vitesse à vide	2800/min
Zone de coupe	600m <sup>2</sup>
Diamètre de coupe	18cm
Hauteur de coupe	30-60mm
Positions de hauteur de coupe	4
Type de batterie	Lithium
Modèle de batterie	KA0101
Durée de charge environ.	2hrs
Modèle de chargeur	KA0200 / KA0201
Valeurs nominales du chargeur	Entrée: 100-240V~50/60Hz, 38W, Sortie: 20V, 1.5A
Poids de la machine	8.8kg
Classe de protection	III
Application	Y
Bande de fréquence du module WLAN intégré	2.412GHz-2.484GHz
Puissance max. de radiofréquence du module WLAN intégré	802.11b:+16±2dBm(@11Mbps) 802.11g:+14±2dBm(@54Mbps) 802.11n:+13±2dBm(@HT20,MCS7)

**31**  
**Fr**

\* La tension est mesurée à vide. La tension initiale de la batterie atteint un maximum de 20 volts. La tension nominale est de 18 volts.

# Informations relatives au bruit

Niveau de pression acoustique	$L_{pA} = 47.6 \text{ dB (A)}, K_{pA} = 3.0 \text{ dB(A)}$
Niveau de puissance acoustique	$L_{wA} = 67.6 \text{ dB (A)}, K_{wA} = 3.0 \text{ dB(A)}$
Porter des protections auditives lorsque la pression sonore est supérieure à	80dB(A) 

Un certain niveau de bruit de la machine est inévitable. Le travail bruyant sur des routes doit être autorisé et limité à certaines périodes. Les périodes de repos doivent être préservées et les heures de travail peuvent être restreintes à un minimum. Pour sa propre protection et la protection des personnes travaillant dans les environs, le personnel doit porter une protection auditive appropriée.

## Accessoires

Vis	9
Socle de recharge	1
Clous de fixation de la base de chargement	8
Câble périphérique	150m
Piquets-fils	210
Clef Allen	1
Jauges de distance de câbles périphériques	2
Lames	9
Batterie (KA0101)	1
Chargeur (KA0200 / KA0201)	1
Connecteur	2

**32**  
**Fr**

Nous recommandons d'acheter tous les accessoires dans le magasin d'acquisition de la machine. Pour plus d'informations, se référer à l'emballage des accessoires. Le personnel du magasin est également là pour vous conseiller.

## Utilisation conforme

Ce produit est destiné à la tonte de pelouses de particuliers. Il est conçu pour tondre fréquemment la pelouse de manière à la garder plus belle et plus saine que jamais auparavant. Selon la taille de votre pelouse, le MissionNANO™ peut être programmé de manière à travailler à n'importe quel moment et avec n'importe quelle fréquence. Il n'est pas destiné à creuser, balayer ou nettoyer la neige.

## Entretien

Le MissionNANO™ doit faire l'objet d'un examen périodique. Le MissionNANO™ travaille dur, c'est pourquoi vous devez régulièrement le nettoyer en profondeur et changer les pièces usées. N'utilisez jamais le MissionNANO™ quand le bouton marche/arrêt est endommagé.

Éteignez la machine avant d'effectuer tout entretien ou maintenance que ce soit.

Dans cette section, nous vous expliquerons comment prendre soin de votre nouveau MissionNANO™ de manière à ce qu'il s'adapte parfaitement à sa nouvelle demeure.



# 1

## Affûtage

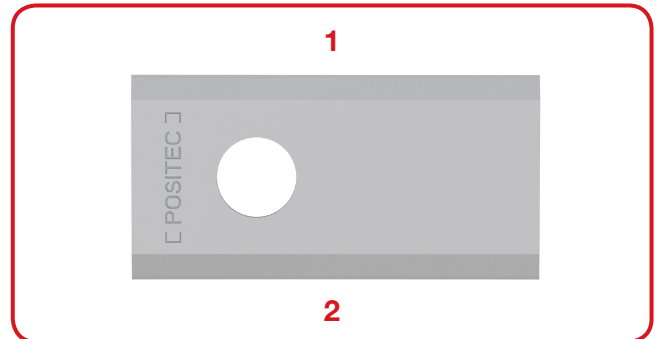


**AVERTISSEMENT:** Avant d'effectuer toute manipulation de nettoyage, de réglage ou de changement des lames, éteignez le MissionNANO™ et mettez des gants de protection.



**AVERTISSEMENT:** Pour le remplacement des lames, assurez-vous de remplacer TOUTES les lames à la fois. Utilisez toujours des vis neuves lors du montage des lames. Il est important d'assurer la rétention de la lame et l'équilibre du disque de rotation de la lame. Le fait de ne pas utiliser de vis neuves pourrait entraîner des blessures graves.

Le MissionNANO™ ne coupe pas l'herbe de la même manière que les autres tondeuses. Ses lames sont tranchantes comme des rasoirs sur leurs 2 bords et tournent dans les deux sens pour une efficacité de coupe maximale. Chaque lame de votre MissionNANO™ a 2 bords coupants. Le disque de coupe tourne vers l'avant et dans le sens contraire au hasard pour utiliser les deux bords tranchants. Ceci contribue à minimiser la fréquence de remplacement de la lame de coupe. Chaque lame va durer jusqu'à 2 mois quand il est programmé pour tondre la pelouse tous les jours. Vérifiez chaque fois si les lames sont ébréchées ou endommagées et changez-les le cas échéant. Lorsque les lames sont usées et ne coupent plus bien, elles doivent être remplacées par les lames de rechange fourni avec votre MissionNANO™. Des lames de rechange sont également disponibles chez votre détaillant Kress le plus proche.



### A. Changement des lames

Au bout d'une certaine durée d'utilisation (normalement en fin de saison), les lames du MissionNANO™ auront besoin d'être changées. C'est pourquoi il est indispensable de toujours changer toutes les lames en même temps. Vous pouvez utiliser l'un des kits de rechange fournis avec le MissionNANO™, avec les vis de montage correspondantes.

Avant de changer les lames, coupez le moteur et mettez des gants de protection. Puis procédez de la manière suivante:

1. Retournez délicatement le MissionNANO™.
2. Retirez le couvercle de la batterie et la batterie.
3. Dévissez les vis des lames avec un tournevis.
4. Puis fixez solidement les lames neuves.
5. Remontez la batterie et son couvercle.

**Important:** Après avoir vissé les lames sur le disque, assurez-vous qu'elles peuvent tourner librement.



# 2

## Nettoyage



**AVERTISSEMENT:** Avant de le nettoyer, éteignez votre MissionNANO™. Mettez des gants de protection avant de nettoyer le disque de coupe, et ne le lavez pas sous le robinet.

## A. Nettoyage du boîtier

Votre MissionNANO™ fonctionnera mieux et plus longtemps s'il est nettoyé régulièrement. Toutefois, comme votre MissionNANO™ est une machine électrique, vous devez faire attention lors du nettoyage, **de NE PAS UTILISER un tuyau, des nettoyeurs à haute pression ou autre pour faire couler de l'eau sur votre MissionNANO™** ; il est préférable d'utiliser un vaporisateur rempli d'eau. Pour nettoyer le boîtier en plastique moulé, utilisez un chiffon ou une brosse à poils mous et évitez les solvants et les produits de cirage. Enfin, n'oubliez pas d'enlever tous les dépôts d'herbe et autres détrit.



## B. Nettoyage de la partie inférieure

Une fois encore, vous devez impérativement éteindre le MissionNANO™ avec le bouton marche/arrêt et **mettre des gants de protection avant de toucher le disque de coupe.**

Retournez tout d'abord votre MissionNANO™ à l'envers pour en exposer sa face inférieure. Repérez le disque de coupe, le boîtier du moteur ainsi que les roues avant et les roues motrices. Nettoyez soigneusement toutes ces pièces avec un chiffon mouillé ou une brosse à poils mous.

34  
Fr

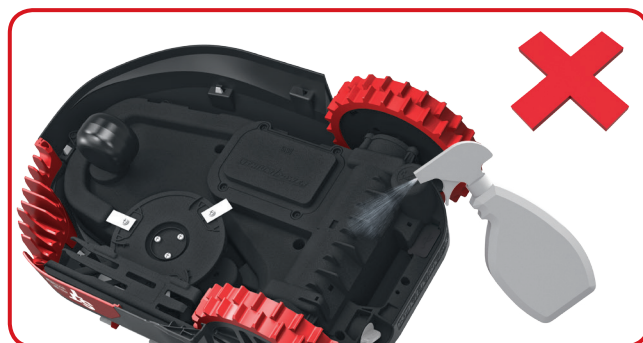
 **AVERTISSEMENT: NE JAMAIS nettoyer le dessous de MissionNANO™ au jet d'eau.**

Des composants pourraient s'endommager. Faites tourner le disque de coupe pour vous assurer qu'il tourne librement. Vérifiez que les lames tournent librement autour des vis de fixation. Retirez tout obstacle.

**IMPORTANT: Enlevez tous les débris accumulés susceptibles de fissurer le disque de coupe. Même la fissure la plus microscopique peut influencer le fonctionnement du MissionNANO™ de manière importante.**

## C. Nettoyez les broches de contact et les bandes

Nettoyer la broche de contact située sur la base de chargement et la bande de chargement situé sur le MissionNANO™ à l'aide d'un chiffon. Enlevez toute accumulation de débris d'herbe et de débris autour des broches de contact et des bandes de chargement de temps en temps pour vous assurer que le MissionNANO™ se charge correctement à chaque fois.



# 3

## Durée de vie de la batterie

Le cœur du MissionNANO™ est une Pile de Lithium de 20V. Pour un entreposage adéquat de la batterie, assurez-vous qu'elle soit complètement chargée et conservée dans un endroit frais et sec entre (-20°C-60°C).

**REMARQUE:** La plage de température de fonctionnement pour MissionNANO™ va de 0°C à 55°C.

La durée de vie de la batterie du MissionNANO™ dépend de plusieurs facteurs:

- La durée de la saison de tonte dans votre région
- Le nombre d'heures que le MissionNANO™ travaille chaque jour
- L'entretien de la batterie pendant le rangement

## Le MissionNANO™ peut être chargé manuellement sans le câble périphérique.

1. Connectez la base de charge à une source d'alimentation appropriée. Le voyant vert de la station de chargement s'allumera.
2. Placez manuellement la MissionNANO™ dans la base de charge alors que la MissionNANO™ est éteinte.
3. Le voyant vert de la station de chargement s'allumera en rouge. MissionNANO™ commencera à se charger.



# 4

## Hibernation

Votre MissionNANO™ fonctionnera mieux et plus longtemps si vous le laissez reposer pendant l'hiver. Bien que le MissionNANO™ soit un appareil très solide, nous vous recommandons néanmoins de le ranger dans une remise ou dans un garage pendant l'hiver.

Avant de ranger le MissionNANO™ pour l'hiver, n'oubliez pas:

- de le nettoyer soigneusement
- de recharger complètement la batterie
- de l'éteindre

Pour maximiser la vie de la batterie, il est recommandé de la charger complètement avant de l'entreposer pour l'hiver.

**⚠ AVERTISSEMENT: Protéger le dessous de MissionNANO™ de l'eau. NE JAMAIS ranger MissionNANO™ à l'envers à l'extérieur.**

Le fil-barrière peut être laissé par terre, mais il est préférable de protéger les extrémités, par exemple en les mettant dans une boîte de conserve remplie de graisse. Si vous choisissez de laisser le socle de recharge à l'extérieur pendant l'hiver, laissez le fil-barrière relié au socle.

**REMARQUE:** Lorsque vous redémarrez le MissionNANO™ après le repos hivernal, nettoyez soigneusement les bornes de recharge et les broches de contact en utilisant de préférence une toile émeri fine. Lors de l'utilisation de l'application, s'assurer que la date et l'heure sont correctes et renvoyer MissionNANO™ faire ce pour quoi qu'il a été conçu : tondre.

# 5

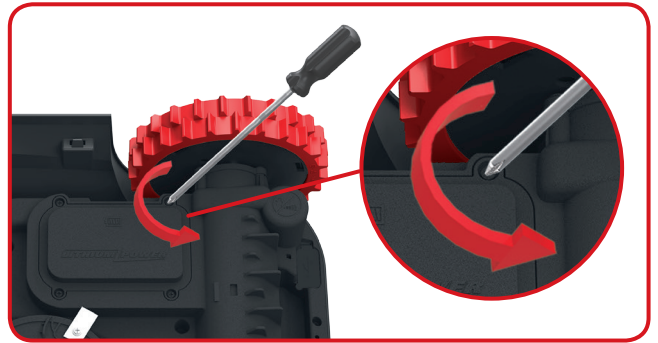
## Changement de la batterie

**⚠ AVERTISSEMENT: Mettez le bouton marche/arrêt avant d'effectuer toute manipulation de réglage, de changement ou de réparation.**

**Avant de changement des lames, éteignez le MissionNANO™ et mettez des gants de protection.**

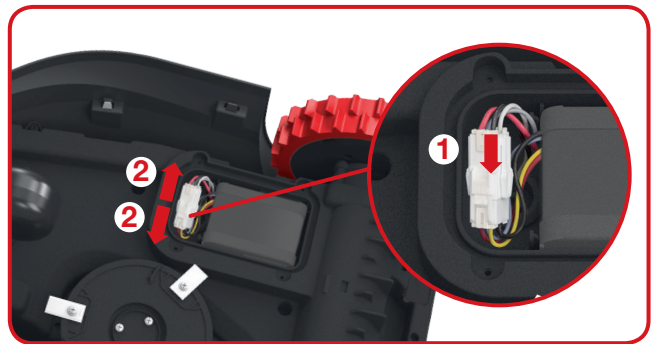
Si vous devez changer la batterie, procédez de la manière suivante.

1. Retournez délicatement le MissionNANO™.
2. Enlevez les vis de fixation de la batterie. Retirez le carter de la batterie.

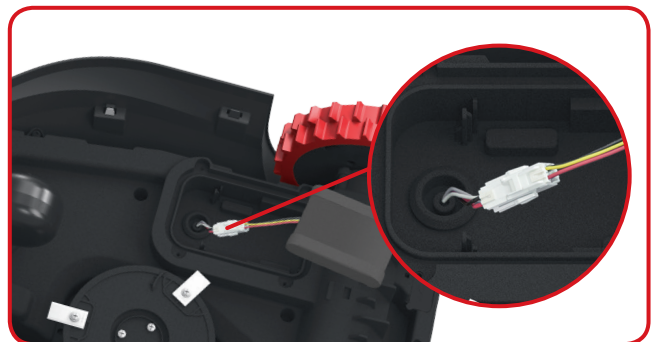
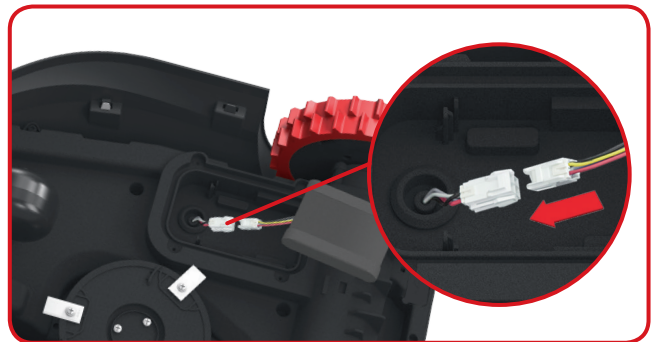


3. Sortez l'ancienne batterie en faisant attention. Appuyez sur l'enclenchement et libérez les connecteurs.

**REMARQUE:** Ne tirez pas sur les câbles. Tenez les connecteurs et sortez l'élément de blocage.



4. Connectez la nouvelle batterie originale en reliant les connecteurs ensemble jusqu'à ce qu'ils soient en position.



5. Installez la batterie tel qu'indiqué. Remplacez le carter dans sa position et vissez fermement les vis.



# Résolution des problèmes d'installation

Si votre MissionNANO™ ne fonctionne pas correctement, consultez le guide de dépannage ci-dessous. Si le défaut persiste, contactez le magasin d'achat.

Symptôme	Cause	Action
La LED du socle de recharge ne s'allume pas.	Pas d'alimentation.	Vérifiez que le cordon d'alimentation est correctement relié au chargeur et que le chargeur est branché à une alimentation appropriée.
L'indicateur lumineux vert clignote sur la base de charge.	Le fil-barrière n'est pas connecté.	Vérifiez que le câble périphérique a été correctement branché à la station de charge. Vérifiez que le câble périphérique n'est pas cassé, notamment aux extrémités du câble.
MissionNANO™ est dans son périmètre et le câble périphérique est connecté. Le voyant d'erreur clignote en rouge.	Les extrémités du câble périphérique ne sont pas fixées correctement.	Inversez les extrémités du câble périphérique.
MissionNANO™ ne peut pas s'enclencher correctement dans la base de charge.	Influences environnementales.	Redémarrez la MissionNANO™.
	Mauvais contact dû à la souillure de la borne de recharge.	Nettoyez les broches de contact du socle et les bornes de recharge de la machine à l'aide d'un chiffon.
Le MissionNANO™ fonctionne en dehors du câble périphérique. Le MissionNANO™ ne tond pas de zone dans une zone de câble périphérique. Le MissionNANO™ se retourne ou tourne de façon erratique près du câble périphérique.	Le câble périphérique d'une autre MissionNANO™ ou une tondeuse robotique d'une autre marque est trop proche.	Assurez-vous que le câble périphérique de la MissionNANO™ est espacé d'au moins 1m du câble périphérique voisin.
	Le câble périphérique a été installé avec des angles droits.	Vérifiez que le câble périphérique a été installé avec des coins arrondis.
	Dans des conditions d'humidité, le signal électrique du câble périphérique peut fuir de l'union ou de la réparation du câble.	Vérifiez les joints du câble périphérique. Isolez-les pour offrir un raccord complètement étanche.
	Il existe une fuite du signal électrique du câble périphérique due à une rupture de l'isolation.	Réparez l'isolation du câble périphérique avec des connecteurs.
	La zone de coupe est plus grande que la zone de coupe admissible pour le MissionNANO™.	Réduire la zone de tonte.
Le MissionNANO™ quitte le câble périphérique en descendant une colline en raison de vitesses élevées.	Le câble périphérique est placé sur une pente plus abrupte que 17% (10°).	Repositionnez le câble périphérique loin des pentes ayant une déclivité de plus de 17% (10°).

# Protection de l'environnement

 Les déchets d'équipements électriques et électroniques ne doivent pas être déposés avec les ordures ménagères. Ils doivent être collectés pour être recyclés dans des centres spécialisés. Consultez les autorités locales ou votre revendeur pour obtenir des renseignements sur l'organisation de la collecte.

## Déclaration de conformité

Nous,  
Positec Germany GmbH  
Grüner Weg 10, 50825 Cologne, Germany

Déclarons ce produit,  
Description **Robot de fauchage à pelouse**  
Modèle **KR100 (100-199 - désignations des pièces, illustration de la Robot de fauchage à pelouse)**  
**(L'année, la référence de l'article et le mois du numéro de série sont placés au dos. Le numéro de série complet est clairement indiqué sur le boîtier de la tondeuse à gazon) avec chargeur de batterie KA0200 / KA0201 et station de recharge KA0070**  
Fonction **Tondeuse à gazon**

Est conforme aux directives suivantes,  
**2006/42/EC, 2014/30/EU, 2014/35/EU, 2011/65/EU, 2000/14/EC amendée par 2005/88/EC, 2014/53/EU**

**38**

2000/14/EC amendée par 2005/88/EC

**Fr**

- Procédure d'évaluation de la conformité conformément à **Annex V**
- Niveau de pression acoustique **67.6 dB (A)**
- Niveau d'intensité acoustique **68 dB (A)**

Et conforme aux normes,  
**EN 60335-1:2012+A11:2014, EN 50636-2-107:2015, EN 60335-2-29:2004+A2:2010,  
EN 62233:2008, EN ISO 3744:2005, EN 55014-1:2006+A1:2009+A2:2011,  
EN 61000-3-2:2014, EN 61000-3-3:2013, EN 55014-2:2015,  
EN 61558-1:2005+A1:2009, EN 61558-2-16:2009+A1:2013,  
EN 300 328 V2.1.1, EN 301 489-1 V2.1.1, EN 301 489-17 V3.1.1, EN 62311:2008**

La personne autorisée à compiler le dossier technique,

**Nom** **Marcel Filz**

**Adresse** **Positec Germany GmbH, Grüner Weg 10, 50825 Cologne, Germany**



2018/02/09

Allen Ding

Ingénieur en chef adjoint, Essais & Certification

Positec Technology (China) Co., Ltd.

18, Dongwang Road, Suzhou Industrial

Park, Jiangsu 215123, P. R. China

# Sicurezza del prodotto

## Avvisi generali per la sicurezza degli utensili a motore



**AVVERTENZA: È assolutamente necessario leggere attentamente tutte le istruzioni.** Eventuali errori nell'adempimento delle istruzioni qui di seguito riportate potranno causare scosse elettriche, incendi e/o lesioni gravi.

**Leggere accuratamente queste istruzioni per usare la macchina in sicurezza.**

**Conservare tutti gli avvisi e le istruzioni per poterle consultare quando necessario.**

- Questo dispositivo non è inteso per l'uso da parte di persone (inclusi i bambini) con capacità fisiche, sensorie o mentali ridotte o con scarsa esperienza e conoscenza del prodotto, a meno che non sia utilizzato sotto la supervisione da parte di persone responsabili per la loro sicurezza.
- I bambini devono essere controllati per garantire che non giochino con il dispositivo.
- Questo dispositivo deve essere utilizzato esclusivamente con l'alimentatore fornito in dotazione.

## IMPORTANTE

### LEGGERE ATTENTAMENTE PRIMA DELL'USO CONSERVARE PER RIFERIMENTO FUTURO

#### Procedure per un uso sicuro Addestramento

- a) Leggere con attenzione le istruzioni. Acquisire familiarità con i comandi e il corretto funzionamento dell'apparecchio.
- b) Non permettere mai a bambini o a persone sprovviste delle necessarie competenze di utilizzare l'attrezzo. L'età minima di utilizzo dello stesso può variare a seconda delle diverse normative locali.
- c) Ricordare che l'operatore o l'utente sono responsabili di incidenti o rischi che dovessero verificarsi ai danni di terzi o delle proprietà.

#### Operazioni preliminari

- a) Accertarsi che il filo perimetrale sia installato correttamente, in base alle istruzioni.
- b) Ispezionare con attenzione l'area in cui si deve utilizzare il robot tosaerba e togliere tutti gli oggetti che potrebbero essere lanciati dal robot tosaerba.
- c) Prima dell'uso, verificare visivamente che le lame, i rispettivi bulloni e il gruppo di taglio non siano usurati o danneggiati. In tal caso, sostituire

le lame o i bulloni in blocco per mantenere il bilanciamento.

- d) Su macchine con più lame, prestare attenzione perché ruotando una lama si provoca la rotazione dell'altra lama.
- e) **AVVERTENZA!** Non utilizzare mai il robot tosaerba se le protezioni o i ripari sono danneggiati o senza i gli appositi apparati di sicurezza.

## Funzionamento

### 1. Generali

- a) Non utilizzare mai il robot tosaerba se le protezioni o i ripari sono danneggiati o senza i gli appositi apparati di sicurezza, come i deflettori e di raccolta erba.
- b) Non avvicinare mani o piedi accanto o sotto le parti rotanti. Nel caso di falciatrici rotative, mantenere costantemente libere le aperture di scarico.
- c) Non raccogliere, né trasportare il robot tosaerba quando è in funzione.
- d) Rimuovere il dispositivo di disabilitazione dall'elettro utensile:
  - prima di eliminare un ostacolo;
  - prima di controllare, pulire o effettuare lavori sul robot tosaerba.
- e) Non è consentito modificare la versione originale del robot tosaerba. Il produttore declina ogni responsabilità per eventuali modifiche non autorizzate.
- f) Avviare il robot tosaerba, come descritto nelle istruzioni. Non infilare mai le mani o i piedi sotto al tosaerba.
- g) Non consentire a persone che non conoscono il funzionamento e il comportamento del robot tosaerba di utilizzarlo.
- h) Non sistemare oggetti sopra al robot tosaerba o alla base di ricarica.
- i) Non utilizzare il robot tosaerba se il disco lame o la scocca presentano difetti. Non utilizzarlo nemmeno se presenta lame, viti, dadi o cavi difettosi.
- j) Spegnere sempre il robot tosaerba quando non si ha intenzione di utilizzarlo.
- k) Tenere mani e piedi lontani dalle lame rotanti. Non mettere mai le mani o i piedi vicino o sotto il corpo quando il robot tosaerba è in funzione.
- l) Evitare di utilizzare la macchina e i suoi accessori in condizioni meteo avverse, specialmente in caso di rischio di caduta di fulmini.
- m) Non toccare parti mobili pericolose prima che si siano completamente arrestate.

### 2. Ulteriori informazioni per quando l'apparecchiatura funziona in modalità automatica

- a) Non usare il robot tosaerba in presenza di altre persone, in particolar modo di bambini o di animali domestici.

### Manutenzione e conservazione



**AVVERTENZA!** Quando il robot tosaerba viene fermato per motivi di assistenza, ispezione, stoccaggio o sostituzione delle lame, estrarre la chiave dall'elettrotensile e attendere che le lame si siano arrestate completamente.

- a) Ai fini della sicurezza delle operazioni, accertarsi che tutti i dadi, i bulloni e le viti del robot tosaerba siano saldamente avvitati.
- b) Controllare il robot tosaerba ogni settimana e sostituire le eventuali parti danneggiate o usurate.
- c) Controllare in particolare che le lame e il disco lame siano integri. All'occorrenza, sostituire tutte le lame e le viti contemporaneamente in modo che le parti rotanti siano bilanciate.
- d) Assicurarsi di utilizzare solo ricambi originali.
- e) Assicurarsi che le batterie siano caricate utilizzando il caricabatteria corretto consigliato dal costruttore. L'uso non corretto potrebbe causare folgorazioni, surriscaldamento o perdite di liquidi corrosivi dalla batteria.
- f) Nel caso di perdite di elettroliti, lavare con acqua/ un agente neutralizzante, chiedere l'aiuto di un medico nel caso vengano a contatto con gli occhi, ecc;
- g) La manutenzione del robot tosaerba deve essere eseguita seguendo le istruzioni del costruttore.

### Suggerimento

Collegare la macchina e/o i suoi accessori solo a un circuito di alimentazione protetto da un dispositivo di corrente residua (RCD) con corrente di intervento non superiore a 30 mA.

### Rischi residui

Per evitare infortuni, indossare guanti protettivi quando si sostituiscono le lame.

### Trasferimento

Per i trasporti più lunghi, si raccomanda di riporre il robot tosaerba nell'imballaggio originale.

Per un trasferimento sicuro dall'area di lavoro o al suo interno:

- a) fermare il tagliaerba premendo il tasto STOP;
- b) spegnere sempre il robot tosaerba se si ha intenzione di trasportarlo;
- c) afferrare il robot tosaerba per l'impugnatura presente sul fondo, nella parte posteriore. Trasportare il robot tosaerba con il disco lame lontano dal corpo.

### Avvertenze di sicurezza per il pacco batteria all'interno dell'elettrotensile

- a) **Non smontare, aprire o strappare le celle secondarie o il pacco batteria.**
- b) **Non mettere in corto circuito il pacco batteria. Non conservare il pacco batteria disordinatamente in una scatola o in un cassetto** in cui potrebbe essere cortocircuitato da altri oggetti metallici. Quando il pacco batteria non è in uso, tenerlo lontano da altri oggetti metallici come graffette, monete, chiavi, chiodi, viti e altri piccoli oggetti metallici, perché potrebbe crearsi un collegamento tra i due terminali. Collegare i terminali della batteria potrebbe causare incendi o ustioni.
- c) **Non esporre il pacco batteria a calore o fuoco. Evitare di conservarlo alla luce diretta del sole.**
- d) **Non sottoporre il pacco batteria a scosse meccaniche.**
- e) **In caso di perdite da una cellula, evitare che il liquido entri in contatto con la pelle o gli occhi. In caso di contatto, lavare l'area interessata con abbondante acqua e consultare un medico.**
- f) **Se si ingerisce una cella o un pacco batteria, consultare immediatamente un medico.**
- g) **Tenere le celle e il pacco batteria puliti e asciutti.**
- h) **Il pacco batteria offre prestazioni ottimali se utilizzato a una temperatura ambientale normale (20°C ± 5°C).**
- i) **Quando si smaltiscono i pacchi batteria, tenere i pacchi batteria con sistemi elettrochimici diversi separati gli uni dagli altri.**
- j) **Ricaricare solo con la base di ricarica fornita da Kress. Non utilizzare caricabatterie diversi da quelli forniti per l'uso specifico con l'apparecchiatura.** Un caricabatteria non adatto al pacco batteria potrebbe provocare rischi d'incendio.
- k) **Non utilizzare un pacco batteria non progettato per questo prodotto.**
- l) **Tenere il pacco batteria fuori dalla portata dei bambini.**
- m) **Conservare i documenti originali del prodotto per riferimenti futuri.**
- n) **Smaltire adeguatamente.**



# Simboli



AVVERTENZA – In caso di uso improprio, il robot tosaerba può essere pericoloso. Leggere attentamente le istruzioni per l'uso e comprenderne il significato prima di utilizzare il robot tosaerba.



AVVERTENZA - Tenere gli astanti a distanza di sicurezza.



AVVERTENZA – Rimuovere il dispositivo di disabilitazione prima di utilizzare l'elettro utensile e di sollevarlo da terra.



AVVERTENZA – Non salire sopra il robot tosaerba.



Dispositivo di Classe III



I prodotti elettrici non possono essere gettati tra i rifiuti domestici. L'apparecchio da rottamare deve essere portato al centro di riciclaggio per un corretto trattamento. Controllare con le autorità locali o con il rivenditore per localizzare il centro di riciclaggio più vicino.



Non smaltire gettare le batterie nei rifiuti. Portare le batterie scariche presso un punto locale di riciclaggio o di raccolta.



Non bruciare

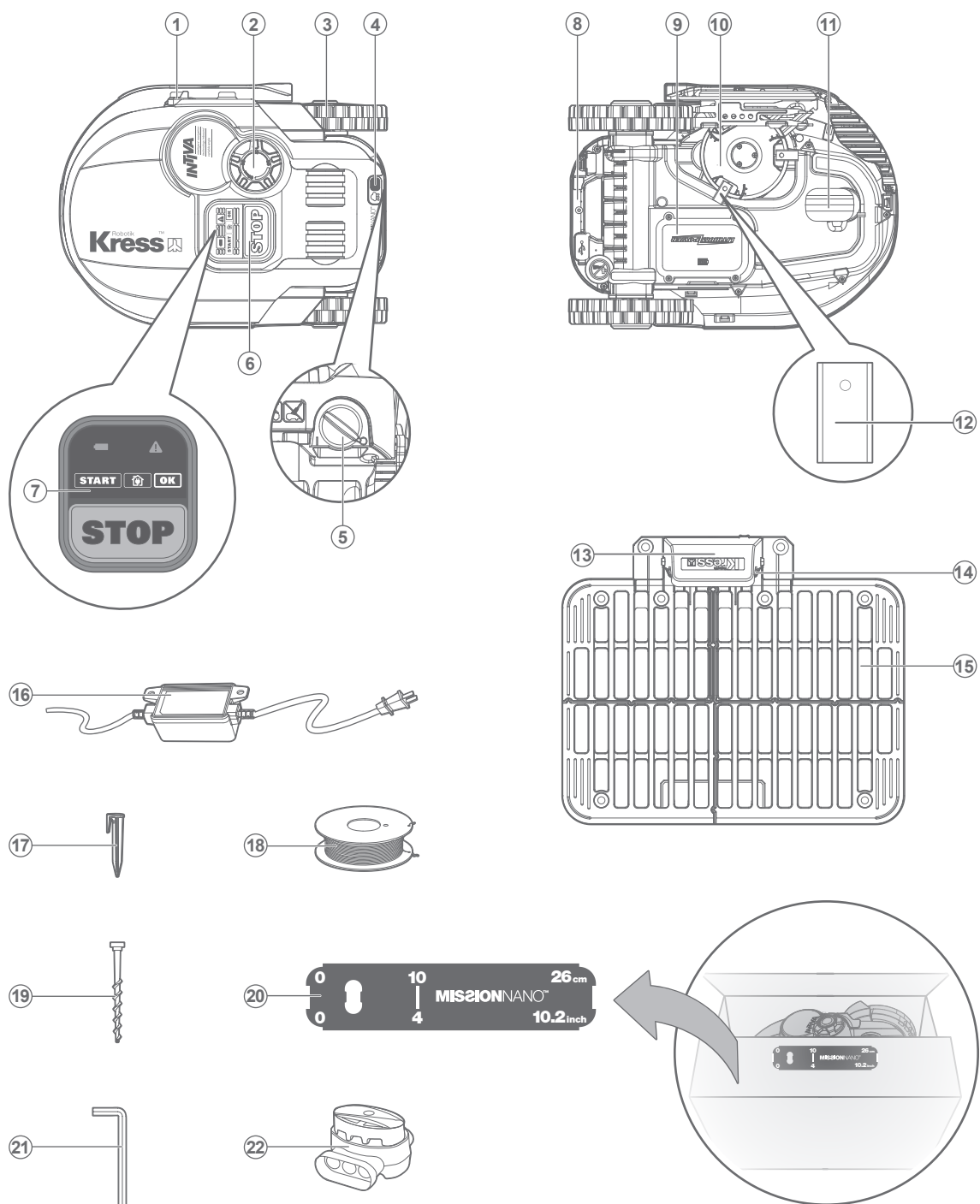


Non esporre alla pioggia o all'acqua.



Non lavare il robot tosaerba con apparecchi ad alta pressione.

# Componenti del robot tosaerba



- |   |   |
|---|---|
| 1. Striscia Di Ricarica                           | 12. Lame  |
| 2. Manopola Di Regolazione Dell'altezza Di Taglio | 13. Cuffia Di Protezione                        |
| 3. Ruota Posteriore                               | 14. Pin Di Contatto                             |
| 4. Sensore Pioggia                                | 15. Base Di Ricarica                            |
| 5. Tasto On/Off                                   | 16. Trasformatore                               |
| 6. Tasto Stop                                     | 17. Filo Perimetrale                            |
| 7. Pannello Di Controllo                          | 18. Picchetto Filo Perimetrale                  |
| 8. Maniglia                                       | 19. Chiodi Di Ancoraggio Della Base Di Ricarica |
| 9. Pacco Batteria                                 | 20. Distanziatore Per Il Filo Perimetrale       |
| 10. Disco Lame                                    | 21. Chiave A Brugola                            |
| 11. Ruota Anteriore                               | 22. Connettore                                  |

## Dati tecnici

Codice **KR100 (100-199 - Designazione del macchinario, rappresentativo della Robot tosaerba)**

Potenza nominale	20V $\overline{=}$ Max.*
Velocità a vuoto nominale	2800/min
Superficie di taglio	600m <sup>2</sup>
Diametro di taglio	18cm
Altezza di taglio	30-60mm
Posizioni altezza di taglio	4
Tipo di batteria	Litio
Modello batteria	KA0101
Tempo di ricarica circa.	2ore
Modello caricatore	KA0200 / KA0201
Potenza caricabatteria	Ingresso: 100-240V~50/60Hz, 38W, Uscita: 20V, 1.5A
Peso Macchina	8.8kg
Classe protezione	III
App	Y
Banda di frequenza del modulo WLAN integrato	2.412GHz-2.484GHz
Massima potenza in radiofrequenza del modulo WLAN integrato	802.11b:+16±2dBm(@11Mbps) 802.11g:+14±2dBm(@54Mbps) 802.11n:+13±2dBm(@HT20,MCS7)

\* Tensione misurata senza carico di lavoro. La tensione iniziale della batteria raggiunge un massimo di 20 Volt. La tensione nominale è di 18 Volt.

# Dati relativi al rumore

Pressione acustica ponderata	$L_{pA} = 47.6 \text{ dB (A)}, K_{pA} = 3.0 \text{ dB(A)}$
Potenza acustica ponderata	$L_{wA} = 67.6 \text{ dB (A)}, K_{wA} = 3.0 \text{ dB(A)}$
Indossare protezione per le orecchie quando la pressione acustica è superiore a	80dB(A) 

Un certo livello di rumore prodotto dalla macchina è inevitabile. Per eseguire lavori rumorosi è necessario essere autorizzati e farlo solo in determinati momenti. Per rispettare i periodi di riposo potrebbe essere necessario ridurre al minimo le ore di lavoro. Per proteggere il proprio udito e quello delle persone che lavorano nelle vicinanze, indossare un dispositivo di protezione acustica adeguato.

## Accessori

Viti	9
Base di ricarica	1
Chiodi di ancoraggio della base di ricarica	8
Filo perimetrale	150m
Picchetti di fissaggio	210
Chiave Allen	1
Distanziatori del filo perimetrale	2
Lame	9
Batteria (KA0101)	1
Caricabatteria (KA0200 / KA0201)	1
Connettore	2

44

Si raccomanda di acquistare tutti gli accessori nello stesso negozio in cui è stato acquistato l'attrezzo. Fare riferimento alla confezione dell'accessorio per altri dettagli. Il personale del negozio può aiutarvi e consigliarvi.

## Uso conforme alle norme

Questo prodotto è stato progettato per tosare l'erba di prati domestici. È progettato per falciare spesso, mantenendo il prato più vigoroso e bello che mai. In base alle dimensioni del prato, MissionNANO™ può essere programmato per funzionare in qualsiasi orario e con qualsiasi frequenza. Non è concepito per scavare, spazzare o sgombrare la neve.

## Manutenzione

Controllare periodicamente MissionNANO™. MissionNANO™ lavora sodo e dopo un certo periodo di tempo ha bisogno di una buona pulizia e di sostituire le sue parti, le quali potrebbero usurarsi. Non utilizzare il MissionNANO™ se l'interruttore di accensione/spegnimento è difettoso.

Prima di qualsiasi intervento di assistenza o manutenzione spegnere il robot tosaerba.

Nella seguente documentazione desideriamo mostrare come lasciare adattare il nuovo MissionNANO™ alla sua nuova casa offrendogli la migliore assistenza possibile.

# 1

## Mantenere affilate le lame

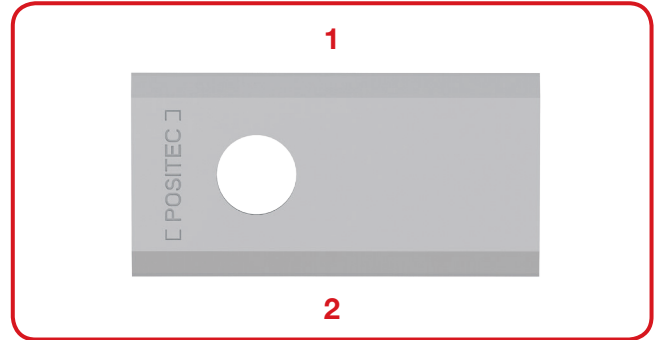


**AVVERTENZA:** prima di pulire, regolare o sostituire le lame, spegnere MissionNANO™ e indossare dei guanti di protezione.



**AVVERTENZA:** assicurarsi di sostituire TUTTE le lame ogni volta. Usare sempre viti nuove quando si sistemano le lame. Questa precauzione è importante per assicurare il trattenimento delle lame e il bilanciamento del disco lame rotante. Il mancato utilizzo di viti nuove può provocare serie lesioni.

MissionNANO™ non taglia l'erba come altri tosaerba. Le sue lame sono affilatissime su tutti i 2 lati e ruotano in entrambe le direzioni raggiungendo la massima capacità di taglio. Ogni lama del MissionNANO™ ha 2 estremità taglienti. Il disco lame ruoterà in avanti o all'indietro in modo casuale per usare entrambe le estremità taglienti. Ciò contribuisce a ridurre al minimo la frequenza di sostituzione della lama di taglio. Ogni lama durerà 2 mesi se il dispositivo è programmato per tagliare l'erba ogni giorno. Verificare sempre se le lame sono scheggiate o danneggiate e sostituirle, se necessario. Quando le lame sono smussate e usurate devono essere sostituite con le lame di ricambio fornite con MissionNANO™. Le lame di ricambio sono anche disponibili presso il rivenditore Kress più vicino.

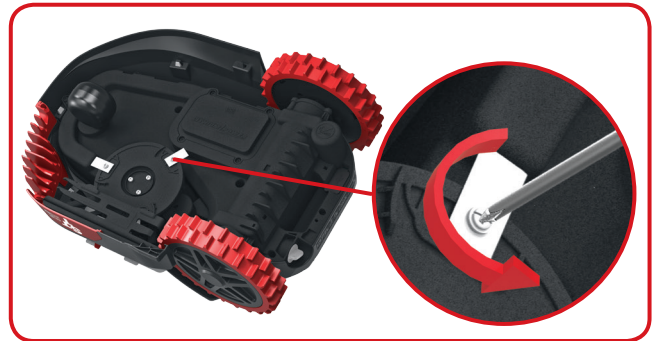


### A. Sostituire le lame

Dopo un certo periodo di tempo, di solito dopo ogni stagione, le lame di MissionNANO™ devono essere sostituite. Pertanto, quando si sostituiscono le lame, assicurarsi di sostituirle tutte contemporaneamente. È possibile sostituirle con uno dei kit di lame di ricambio e le viti delle lame supplementari in dotazione con MissionNANO™.

Prima di tentare di sostituire le lame di MissionNANO™, spegnere il tosaerba e indossare guanti protettivi. Quindi attenersi alle seguenti procedure:

1. Capovolgere delicatamente MissionNANO™.
2. Rimuovere il coperchio della batteria e rimuovere la batteria.
3. Svitare le viti delle lame con un cacciavite a taglio.
4. Avvitare saldamente le nuove lame.
5. Risistemare la batteria e il coperchio della batteria.



**Importante:** una volta avvitate le lame sul disco lamee, assicurarsi che ruotino liberamente.

# 2

## Pulizia



**AVVERTENZA:** prima di eseguire la pulizia, spegnere MissionNANO™ Indossare guanti protettivi prima di pulire il disco lame e non utilizzare acqua corrente.

## A. Pulizia del corpo

MissionNANO™ dura più a lungo e meglio se pulito periodicamente. Dal momento che il vostro MissionNANO™ è un apparecchio elettrico dovete fare attenzione quando lo pulite, **quindi NON usare una canna, apparecchi ad alta pressione o versare acqua corrente su MissionNANO™**, è meglio usare una bottiglia spray piena d'acqua. Per la pulizia dell'alloggiamento in plastica stampo utilizzare una spazzola morbida o un panno pulito ed evitare l'uso di solventi o lucidanti. Infine, assicurarsi di rimuovere tutto l'accumulo di erba tagliata e di detriti, soprattutto dalle prese d'aria di raffreddamento del motore.



## B. Pulizia della scocca

Anche in questo caso, è importante spegnere MissionNANO™ e **indossare guanti protettivi prima di toccare il disco lama**.

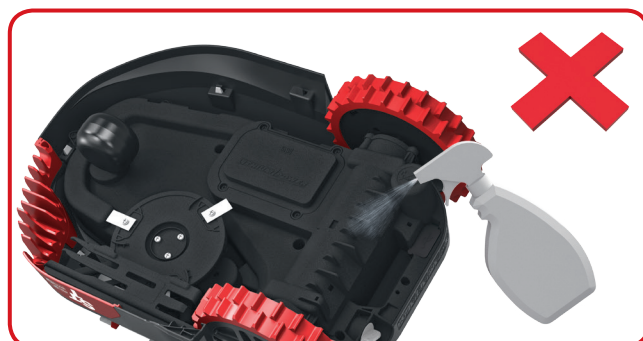
Prima capovolgere MissionNANO™ per esporre la parte inferiore. Qui si può notare il disco lama, il telaio scatolato motore circostante e le ruote anteriori e motrici. Pulire tutto accuratamente con una spazzola morbida o un panno umido.



**AVVERTENZA: Non pulire MAI la parte inferiore di MissionNANO™ con un getto d'acqua.** I componenti potrebbero danneggiarsi.

Ruotare il disco lama per assicurarsi che ruoti liberamente. Controllare che le lame girino liberamente attorno alle viti di fissaggio. Rimuovere qualsiasi ostacolo.

**IMPORTANTE: rimuovere i detriti depositatisi in modo che non causino crepe nel disco lama. Anche la più piccola crepa può ridurre la potenza di taglio di MissionNANO™.**



## C. Pulizia dei pin di contatto e delle strisce di ricarica

Pulire con un panno i pin di contatto situati sulla base di ricarica e le strisce di ricarica situate su MissionNANO™. Rimuovere periodicamente tutto l'accumulo di erba tagliata e di detriti intorno ai pin di contatto e alle strisce di ricarica per garantire ogni volta il corretto caricamento di MissionNANO™.

# 3

## Durata della batteria

Il cuore di MissionNANO™ è costituito da una batteria al litio a 20V. Per riporre la batteria in modo corretto, assicurarsi che sia completamente carica e riporta in un luogo asciutto tra (-20°C-60°C).

NOTA: La temperatura di esercizio raccomandata per MissionNANO™ è di 0-55°C.

La vita utile della batteria di MissionNANO™ dipende da vari fattori, tra cui:

- la durata della stagione di tosatura nella propria regione geografica;
- la quantità di ore in cui MissionNANO™ esegue la tosatura al giorno;
- la cura della batteria quando viene conservata.

### MissionNANO™ si può caricare manualmente senza cavo perimetrale

1. Connettere la base di ricarica a una fonte di alimentazione adatta. La spia verde sulla base di ricarica si illuminerà.
2. Mentre MissionNANO™ è spento, agganciarlo manualmente alla base di ricarica.
3. La spia verde sulla base di ricarica si illuminerà di rosso. MissionNANO™ incomincerà la ricarica.



## 4

### Rimessaggio invernale

MissionNANO™ dura più a lungo e conserva le prestazioni ottimali se viene riposto al coperto. Perciò, sebbene sia resistente, si consiglia di riporre MissionNANO™ nella rimessa o nel garage durante l'inverno.

Prima di riporre al coperto MissionNANO™, assicurarsi di:

- pulire accuratamente MissionNANO™;
- caricare completamente la batteria;
- spegnere il tosaerba.

Per massimizzare la durata della batteria si raccomanda di caricarla completamente prima di riporre l'attrezzo per l'inverno.



**AVVERTENZA: Proteggere la parte inferiore di MissionNANO™ dall'acqua. Non riporre MAI MissionNANO™ all'aperto sottosopra.**

Il filo perimetrale può essere lasciato nel terreno, anche se le sue estremità devono essere protette, ad esempio collocandole in una lattina di grasso. Se la base di ricarica viene lasciata fuori durante l'inverno, lasciare il filo perimetrale collegato.

**NOTA:** Quando si riattiva MissionNANO™ dal rimessaggio invernale, assicurarsi che le strisce di ricarica e i pin di contatto siano pulite. È meglio utilizzare carta vetrata fine. Utilizzando l'App assicurarsi che la data e l'ora siano corrette e rimandare MissionNANO™ a fare ciò adora: tagliare l'erba.

## 5

### Sostituzione della batteria

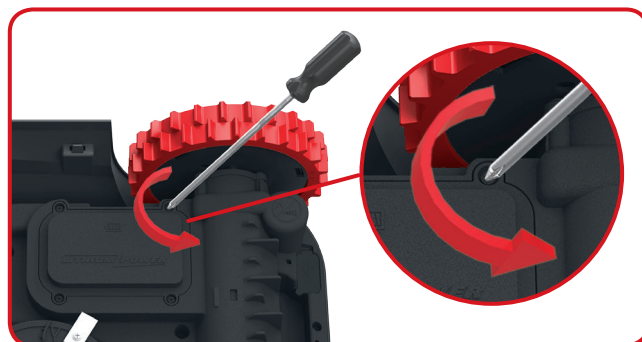


**AVVERTENZA: premere il tasto ON/OFF su OFF prima di effettuare qualsiasi regolazione, sostituzione o riparazione.**

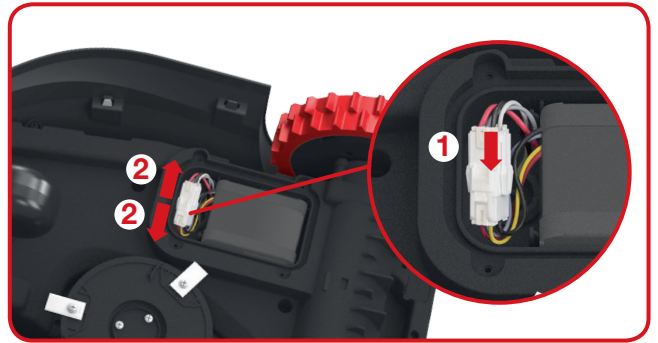
**Prima sostituire le lame, spegnere MissionNANO™ e indossare dei guanti di protezione.**

Per sostituire la batteria, attenersi alle seguenti procedure:

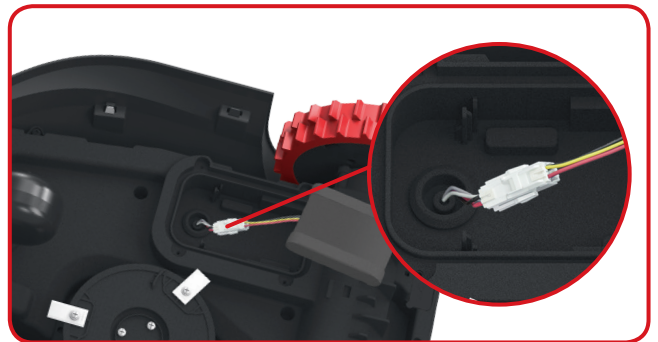
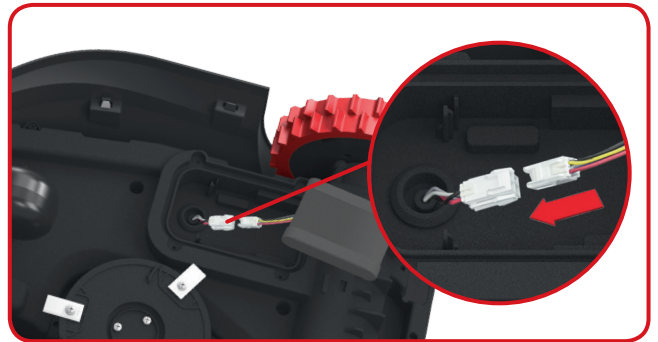
1. Capovolgere delicatamente MissionNANO™.
2. Rimuovere le viti sulla batteria. Rimuovere il coperchio della batteria.



3. Estrarre delicatamente la vecchia batteria.  
Premere il fermo e sganciare i connettori.  
**NOTA:** non tirare dai cavi. Tenere con la mano i connettori e sganciare il fermo.



4. Inserire una nuova batteria originale collegando insieme i connettori e farla scattare in posizione.



5. Montare la batteria come illustrato. Rimontare il coperchio e stringere saldamente le viti.






# Risoluzione dei problemi di installazione

Se MissionNANO™ non funziona correttamente, attenersi alla guida alla risoluzione dei problemi di seguito. Se il problema persiste, contattare il rivenditore.

Sintomo	Causa	Azione
Il LED della base di ricarica non si accende.	Non vi è alimentazione.	Verificare che il cavo di alimentazione sia collegato correttamente al caricabatterie e che il caricabatteria sia collegato a una fonte di alimentazione idonea.
La luce verde lampeggia sulla base di ricarica.	Il filo perimetrale non è collegato.	Verificare che il filo perimetrale sia collegato correttamente alla base di ricarica. Controllare che il filo perimetrale non presenti rotture, specialmente alle estremità, specialmente alle estremità.
MissionNANO™ si trova all'interno dell'area di lavoro e il filo perimetrale è collegato. La spia di errore lampeggia di rosso.	Le estremità del filo perimetrale non sono collegate correttamente ai morsetti.	Invertire il collegamento delle estremità del filo perimetrale.
MissionNANO™ non può agganciarsi correttamente alla base di ricarica.	Influenze da parte dell'ambiente.	Riattivare MissionNANO™.
	Collegamento scadente causato dalla contaminazione delle strisce di ricarica.	Pulire i pin di contatto della base di ricarica e le strisce di ricarica della macchina con un panno.
MissionNANO™ si muove fuori dal filo perimetrale. Il MissionNANO™ non taglia l'erba in un'area all'interno della zona perimetrale. Il MissionNANO™ fa retromarcia o ruota in modo erratico vicino al filo perimetrale.	Il cavo perimetrale di un altro MissionNANO™ o di un robot tosaerba di altra marca è posizionato troppo nelle vicinanze	Assicurarsi che il Cavo Perimetrale MissionNANO™ sia posizionato ad una distanza di almeno 1m rispetto al cavo perimetrale limitrofo.
	Il cavo perimetrale è stato installato con angoli acuti.	Controllare che gli angoli del cavo siano morbidi.
	In condizioni di umidità, il segnale elettrico del filo perimetrale potrebbe interrompersi nei punti di giunzione o di riparazione.	Controllare i punti di giunzione del filo perimetrale. Isolarli per ottenere una connessione completamente impermeabile.
	Si è verificata una perdita di segnale dovuta a un isolamento danneggiato.	Riparare l'isolamento danneggiato del filo perimetrale con dei connettori.
	L'area di taglio è più ampia dell'area consentita per il MissionNANO™.	Ridurre la superficie di taglio.
Il MissionNANO™ esce dal cavo perimetrale a causa dell'alta velocità se si trova in discesa.	Il cavo di perimetrale si trova su un pendio superiore al 17% (10°).	Riposizionare il cavo perimetrale lontano da pendenze superiori al 17% (10°).

# Tutela ambientale

 I prodotti elettrici non possono essere gettati tra i rifiuti domestici. L'apparecchio da rottamare deve essere portato al centro di riciclaggio per un corretto trattamento. Controllare con le autorità locali o con il rivenditore per localizzare il centro di riciclaggio più vicino.

## Dichiarazione di conformità

Noi,  
Positec Germany GmbH  
Grüner Weg 10, 50825 Cologne, Germany

Dichiara che l'apparecchio,  
Descrizione **Robot tosaerba**  
Codice **KR100 (100-199 - Designazione del macchinario, rappresentativo della Robot tosaerba)**  
**(Anno, codice articolo e mese del numero di serie sono riportati sull'ultima pagina. Il numero di serie completo è chiaramente riportato sull'involucro del tosaerba) con caricabatterie KA0200 / KA0201 e base di ricarica KA0070**  
Funzione **Falciatura prati**

È conforme alle seguenti direttive,  
**2006/42/EC, 2014/30/EU, 2014/35/EU, 2011/65/EU, 2000/14/EC modificata dalla 2005/88/EC, 2014/53/EU**

<b>50</b>	2000/14/EC modificata dalla 2005/88/EC	
<b>I</b>	- Procedura di conformità come da	<b>Annex V</b>
	- Potenza acustica pesata	<b>67.6 dB (A)</b>
	- Massima potenza di rumore garantita	<b>68 dB (A)</b>

Conforme a,  
**EN 60335-1:2012+A11:2014, EN 50636-2-107:2015, EN 60335-2-29:2004+A2:2010, EN 62233:2008, EN ISO 3744:2005, EN 55014-1:2006+A1:2009+A2:2011, EN 61000-3-2:2014, EN 61000-3-3:2013, EN 55014-2:2015, EN 61558-1:2005+A1:2009, EN 61558-2-16:2009+A1:2013, EN 300 328 V2.1.1, EN 301 489-1 V2.1.1, EN 301 489-17 V3.1.1, EN 62311:2008**

Il responsabile autorizzato alla compilazione della documentazione tecnica,

**Nome** Marcel Filz  
**Indirizzo** Positec Germany GmbH, Grüner Weg 10, 50825 Cologne, Germany

2018/02/09  
Allen Ding  
Vice capo ingegnere, testing e certificazione  
Positec Technology (China) Co., Ltd.  
18, Dongwang Road, Suzhou Industrial  
Park, Jiangsu 215123, P. R. China

# Seguridad del producto

## Instrucciones generales y adicionales de seguridad



### **ADVERTENCIA:** Lea todas las advertencias e instrucciones de seguridad.

El incumplimiento de las advertencias e instrucciones puede provocar una descarga eléctrica, incendio y/o lesiones graves.

### **Lea atentamente las instrucciones para un correcto funcionamiento de la máquina.**

### **Guarde todas las advertencias e instrucciones como referencia para el futuro.**

- Este aparato no se ha diseñado para ser utilizado por personas (incluidos niños) con una incapacidad física, sensorial o mental reducida, o falta de experiencia y conocimiento, a menos que una persona responsable de su seguridad les autorice a ello o les proporcione la formación necesaria para usar el aparato.
- No se debe permitir que los niños jueguen con este aparato.
- El aparato solo puede utilizarse con la fuente de alimentación que lo acompaña.

## **IMPORTANTE**

### **LEA ATENTAMENTE ANTES DE USAR GUARDE COMO REFERENCIA PARA EL FUTURO**

#### **Prácticas para un correcto funcionamiento Formación**

- a) Lea las instrucciones con atención. Asegúrese que ha entendido las instrucciones y se ha familiarizado con los controles y el uso apropiado del aparato;
- b) No permita que el aparato sea usado por niños o por personas que desconocen las instrucciones. La normativa local puede restringir la edad del operador;
- c) El operador o usuario es responsable de los accidentes o peligros que se produzcan a otras personas o propiedades.

#### **Preparación**

- a) Asegúrese de que la instalación del alambre delimitador es correcta y se ha hecho según las instrucciones.
- b) Revise periódicamente el área donde el aparato se va a utilizar y elimine todas las piedras, palos, cables, huesos y otros objetos extraños.
- c) Periódicamente realice una inspección visual

para comprobar que las cuchillas, los pernos de las cuchillas y el montaje del equipo de corte no estén desgastados o dañados. Cambie el juego completo de cuchillas y pernos para conservar el equilibrio.

- d) Tenga cuidado con los equipos que presentan un sistema multiteje porque el giro de una hoja puede provocar que las otras hojas también giren.
- e) ¡ADVERTENCIA! La cortadora de césped no debe utilizarse sin el protector.

## **Funcionamiento**

### **1. Aspectos generales**

- a) Nunca haga funcionar el aparato con los protectores defectuosos o sin los dispositivos de seguridad, por ejemplo, los deflectores, en su sitio;
- b) No ponga las manos ni los pies cerca o debajo de las partes giratorias. Manténgase alejado de la apertura de descarga en todo momento;
- c) Nunca levante o transporte el aparato con el motor en marcha;
- d) Retire el dispositivo inhabilitador del aparato.
  - Antes de despejar un obstáculo;
  - Antes de inspeccionar, limpiar o trabajar con el equipo.
- e) No se permite modificar el diseño original del robot cortacésped. Todas las modificaciones se hacen bajo su propio riesgo.
- f) Ponga en marcha el robot cortacésped según las instrucciones. Nunca ponga los pies o las manos debajo del cortacésped.
- g) No permita que el robot cortacésped sea usado por personas que desconocen su funcionamiento.
- h) No ponga nada encima del robot cortacésped o el cargador.
- i) No permita que se use el robot cortacésped con una cuchilla de corte o mecanismo defectuoso. Tampoco se debe utilizar con cuchillas, tornillos, tuercas o cables defectuosos.
- j) Apague el robot cortacésped siempre que no tenga intención de utilizarlo.
- k) Mantenga las manos y los pies alojados de las hojas en movimiento. No coloque nunca las manos o los pies cerca o debajo del cuerpo del cortacésped robótico cuando esté en funcionamiento.
- l) La máquina y sus dispositivos periféricos no se deben utilizar cuando haga mal tiempo, especialmente si existe riesgo de tormenta eléctrica.
- m) No toque las piezas móviles peligrosas hasta que se hayan parado por completo.

## 2. En el caso de que el equipo funcione automáticamente

- a) No deje que el aparato funcione sin vigilancia si sabe que hay animales domésticos, niños o personas en los alrededores.

### Mantenimiento y almacenamiento



**¡ADVERTENCIA!** Cuando se detenga la máquina para realizar mantenimiento o inspecciones, para su almacenamiento o para cambiar las cuchillas, retire la llave de la máquina y asegúrese de que las cuchillas se hayan detenido completamente.

- a) Mantenga todas las tuercas, pernos y tornillos apretados para unas condiciones de trabajo seguras.
- b) Por su seguridad inspeccione el robot cortacésped cada semana y sustituya las piezas desgastadas o dañadas;
- c) Compruebe que las cuchillas y el disco de corte no están dañados. Cuando sea necesario cambie las cuchillas y los tornillos al mismo tiempo a fin de que las partes giratorias estén equilibradas.
- d) Asegúrese de que las partes cortantes que se sustituyen son del tipo correcto.
- e) Asegúrese de que las baterías se cargan con el cargador correcto recomendado por el fabricante. El uso incorrecto puede provocar descargas eléctricas, sobrecalentamiento o una fuga del líquido corrosivo de la batería;
- f) En el caso de que se produzca una fuga de electrolito y se mezcle con agua o agente neutralizante, busque ayuda médica si entrara en contacto con los ojos, etc.;
- g) La asistencia técnica del equipo se debería realizar de acuerdo con las instrucciones del fabricante.

### Recomendación

Conecte la máquina y sus dispositivos periféricos únicamente a un circuito de alimentación protegido mediante un interruptor diferencial (ID) con una corriente de disparo que no sea superior a 30 mA.

### Riesgos residuales

Para evitar lesiones, utilice guantes de protección para sustituir las cuchillas.

### Transporte

Para el transporte del robot cortacésped a largas distancias, se debe utilizar el embalaje original. Para un traslado seguro desde o dentro de la zona de trabajo:

- a) Pulse el botón STOP para detener la segadora.
- b) Apague el robot cortacésped siempre que tenga

intención de transportarlo.

- c) Lleve el cortacésped por el mango de la parte trasera. Lleve el cortacésped con el disco de corte lejos del cuerpo.

### Advertencias de seguridad para la batería del interior de la herramienta

- a) No desmonte, abra o destruya las pilas o las baterías recargables.
- b) No provoque un cortocircuito en la batería. No almacene las baterías de forma descuidada en una caja o cajón donde podría provocar un cortocircuito entre ellas o mediante otros objetos metálicos. Cuando la batería no esté siendo utilizada, manténgala alejada de objetos metálicos, como clips de papel, monedas, llaves, clavos, tornillos u otros objetos metálicos pequeños, que pueden posibilitar la conexión de un borne con otro. Al provocar un cortocircuito con los bornes de la batería se pueden sufrir quemaduras o generar un incendio.
- c) No exponga las baterías al calor o al fuego. No las guarde expuestas directamente al sol.
- d) No exponga las baterías a impactos mecánicos.
- e) En caso de que la batería tenga fugas de líquido, no permita que el líquido entre en contacto con la piel o los ojos. Si se produce el contacto, lave la zona afectada con grandes cantidades de agua y acuda a un médico.
- f) Acuda a un médico inmediatamente si se ha ingerido una pila o una batería.
- g) Mantenga las baterías limpias y secas.
- h) Las baterías recargables proporcionan mejor rendimiento cuando se utilizan a temperatura ambiente normal ( $20 \pm 5$  °C).
- i) Al eliminar las baterías, mantenga las baterías de distinto sistema electroquímico separadas unas de otras.
- j) Recargue solo con el cargador indicado por Kress. No utilice ningún otro cargador que no sea el específicamente proporcionado para el uso con este equipo. El cargador adecuado para un tipo de baterías puede provocar un incendio si se utiliza con otro tipo de baterías.
- k) No utilice ninguna batería distinta a la diseñada para utilizarse con el aparato.
- l) Mantenga la batería fuera del alcance de los niños.
- m) Conserve la documentación original del producto por si tuviera que consultarla en otro momento.
- n) Deshágase del producto correctamente.

# Símbolos



ADVERTENCIA –EL ROBOT CORTACÉSPED puede ser peligroso si se usa incorrectamente. Lea con atención el Manual de Usuario y entienda su contenido antes de usar su ROBOT CORTACÉSPED.



ADVERTENCIA - Manténgase a una distancia segura mientras la máquina esté en funcionamiento.



ADVERTENCIA – Retire el dispositivo inhabilitador antes de trabajar con la máquina o elevarla.



ADVERTENCIA –No use la máquina como medio de transporte.



Dispositivo de clase III



Los residuos de aparatos eléctricos y electrónicos no deben depositarse en la basura doméstica. Se deben reciclar en las instalaciones especializadas. Consulte a las autoridades locales o el establecimiento para saber cómo reciclar estos productos.



No tirar las baterías. Las baterías agotadas deben llevarse al punto local de recogida o reciclaje de residuos.



No incinerar.

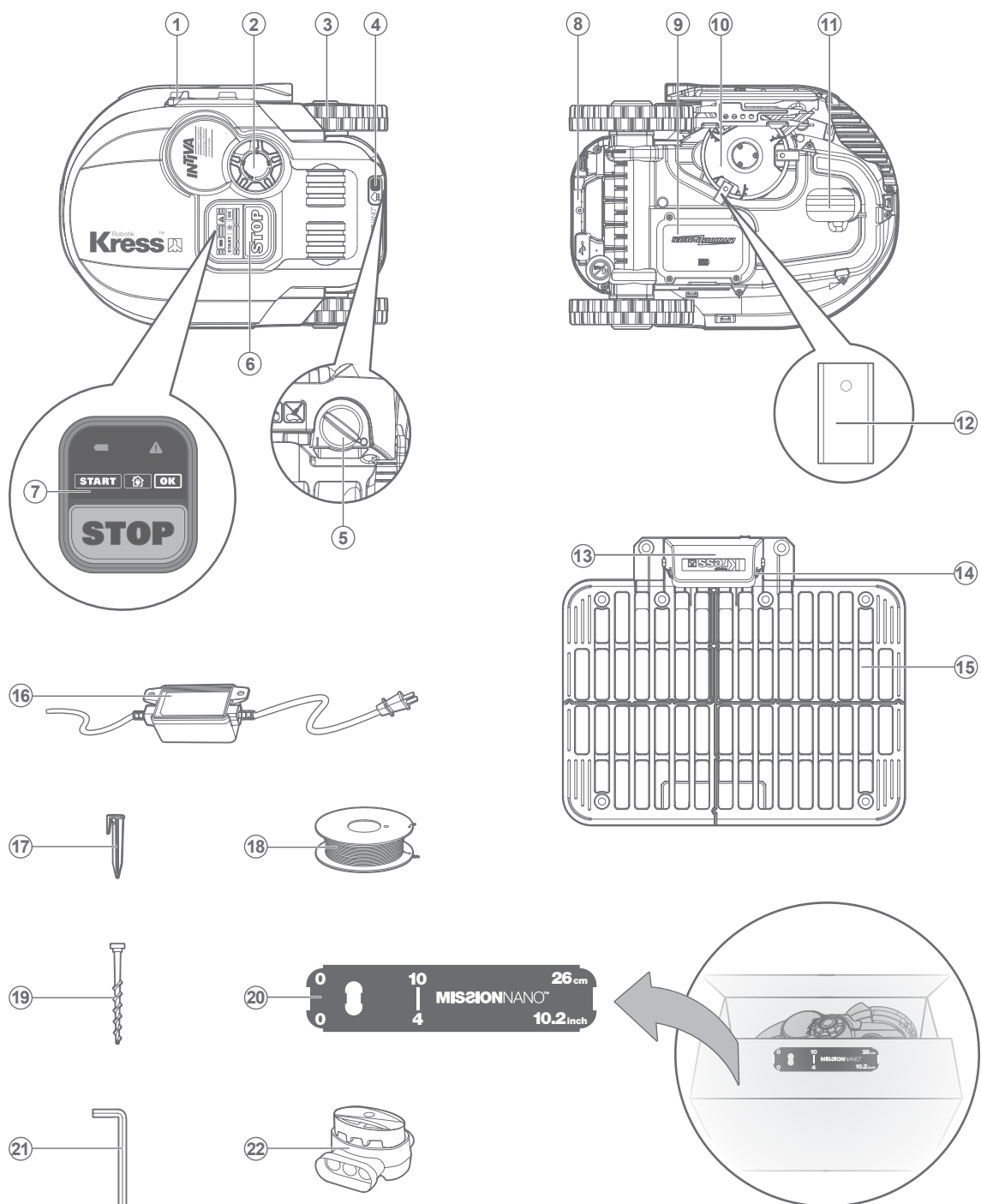


No exponer a la lluvia o al agua.



No lave la máquina utilizando agua a alta presión.

# Lista de componentes



- |  |  |
|--|--|
| 1. Pletina De Carga                      | 12. Hoja De La Cuchilla                        |
| 2. Mando De Ajuste De La Altura De Corte | 13. Cubierta Protectora                        |
| 3. Rueda De Tracción Trasera             | 14. Patillas De Contacto                       |
| 4. Sensor De Lluvia                      | 15. Base De Carga                              |
| 5. Tecla On/Off                          | 16. Adaptador De Alimentación                  |
| 6. Botón Stop ( Detener )                | 17. Clavijas Del Cable                         |
| 7. Panel De Control                      | 18. Cable Delimitador                          |
| 8. Mango                                 | 19. Clavos De Retención De La Base De Carga    |
| 9. Batería                               | 20. Medidor De Distancia Del Cable Delimitador |
| 10. Disco Girador De La Cuchilla         | 21. Llave Allen                                |
| 11. Ruedas Delanteras                    | 22. Conector                                   |

## Datos técnicos

Modelo **KR100 (100-199 - denominaciones de maquinaria, representantes de Robot Cortacesped)**

Tensión nominal	20V $\overline{=}$ Max.*
Velocidad en vacío	2800/min
Área de corte	600m <sup>2</sup>
Diámetro de corte	18cm
Altura de corte	30-60mm
Posiciones de altura de corte	4
Tipo de batería	Litio
Modelo de la batería	KA0101
Tiempo de carga aprox.	2hora
Modelo del cargador	KA0200 / KA0201
Datos nominales del cargador	Entrada: 100-240V~50/60Hz, 38W, Salida: 20V, 1.5A
Peso de la Máquina	8.8kg
Clase de protección	III
Aplicación	Y
Banda de frecuencias del módulo WLAN integrado	2.412GHz-2.484GHz
Potencia de radiofrecuencia máx. del módulo WLAN integrado	802.11b:+16±2dBm(@11Mbps) 802.11g:+14±2dBm(@54Mbps) 802.11n:+13±2dBm(@HT20,MCS7)

\* Voltaje medido sin carga. El voltaje inicial máximo de la batería es de 20 voltios. El voltaje nominal es de 18 voltios.

# Información de ruido

Nivel de presión acústica de ponderación	$L_{pA} = 47.6 \text{ dB (A)}, K_{pA} = 3.0 \text{ dB(A)}$
Nivel de potencia acústica de ponderación	$L_{wA} = 67.6 \text{ dB (A)}, K_{wA} = 3.0 \text{ dB(A)}$
Úsese protección auditiva cuando la presión acústica sea mayor a	80dB(A) 

Es inevitable un cierto grado de ruido procedente de la máquina. El trabajo con maquinarias ruidosas está sujeto a licencia y debe estar limitado a determinados periodos. Respete los periodos de descanso y puede que sea necesario restringir las horas de trabajo al mínimo. Para su protección personal y la de las personas que trabajen cerca, debe usar una protección auditiva adecuada.

## Accesorios

Tornillos	9
Base de carga	1
Estacas de sujeción de la base de carga	8
Alambre delimitador	150m
Estacas delimitadoras	210
Llave Allen	1
Patrón de medida para el alambre delimitador	2
Cuchillas	9
Batería (KA0101)	1
Cargador (KA0200 / KA0201)	1
Conector	2

56

Es

Recomendamos que adquiera todos sus accesorios en el mismo comercio donde compró la herramienta. Consulte los estuches de los accesorios para más detalles. El personal del comercio también puede ayudar y aconsejar.

## Utilización reglamentaria

Este producto ha sido proyectado para utilizarse en el área doméstica. Se ha diseñado para cortar el césped con frecuencia, permitiéndole disfrutar de un césped más verde y de mejor aspecto como nunca antes. Según el tamaño de su jardín, MissionNANO™ puede programarse para funcionar en cualquier momento o con la frecuencia que desee. No está diseñado para cavar, barrer ni quitar nieve.

## Mantenimiento

Tiene que revisar su MissionNANO™ de vez en cuando. El MissionNANO™ trabaja mucho y después de un tiempo necesita una buena limpieza, así como reemplazar aquellas partes que se hayan podido desgastar. Nunca use su MissionNANO™ si el interruptor On/Off está defectuoso. Apague la máquina antes de realizar cualquier servicio técnico o mantenimiento. En los siguientes apartados queremos informarle de cómo hacer que su nuevo MissionNANO™ se adapte a su nuevo hogar y darle el mejor cuidado posible.



# 1

## Mantenerlo afilado

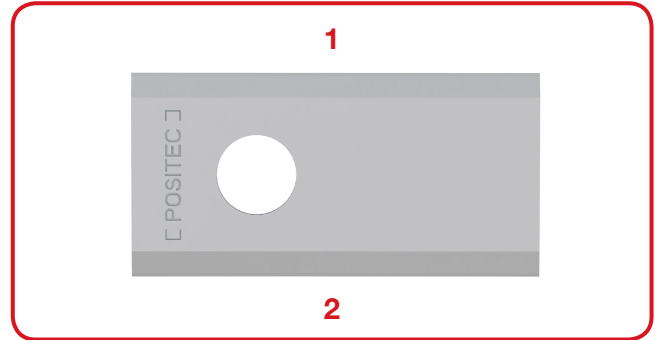


**ADVERTENCIA:** Antes de limpiar, ajustar o reemplazar las hojas, apague su MissionNANO™ OFF y póngase guantes de protección.



**ADVERTENCIA:** Para sustituir la cuchilla, asegúrese de cambiar todas las hojas si cambia una. Utilice siempre tornillos nuevos para instalar las cuchillas. Esto es importante para asegurarse de que las cuchillas queden fijadas correctamente y que el disco de rotación de las cuchillas esté bien equilibrado. La no utilización de tornillos nuevos podría ocasionar lesiones graves.

El MissionNANO™ no corta el césped como las otras cortadoras. Las cuchillas son como un cuchillo afilado en los 2 bordes y gira en ambas direcciones para obtener una capacidad máxima de corte. Cada hoja de su MissionNANO™ tiene 2 bordes de corte. El disco de corte realiza una rotación hacia delante y hacia atrás de forma aleatoria para usar ambos filos de corte. Esto ayuda a minimizar la frecuencia con que debe sustituirse la cuchilla de corte. Cada hoja de corte tendrá una duración de hasta 2 meses cuando la siega se realice diariamente. Siempre revise si las cuchillas están astilladas o dañadas y cámbielas si lo están. Cuando la hoja de corte esté roma o desgastada, se debe cambiar por una hoja de repuesto proporcionada con su MissionNANO™. También puede obtener las hojas de repuesto en su distribuidor de Kress más cercano.

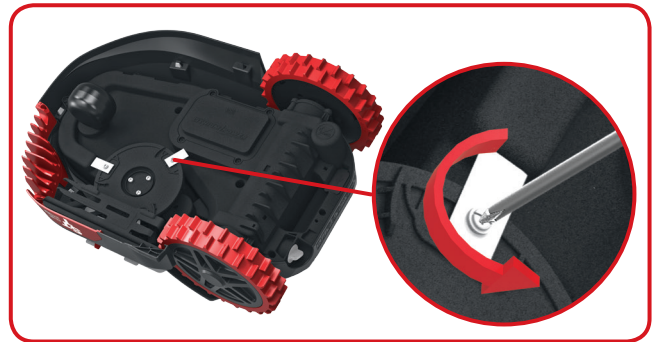


### A. Sustituir las cuchillas

Después de un tiempo, por lo general cada temporada, tendrá que reemplazar las cuchillas del MissionNANO™. Así que cuando cambie las cuchillas, asegúrese de cambiarlas todas al mismo tiempo. Se pueden reemplazar con uno de los conjuntos de cuchillas de repuesto y tornillos adicionales suministrados con el MissionNANO™.

Antes de proceder a cambiar las cuchillas del MissionNANO™, apague el cortacésped y póngase guantes de protección. Luego siga los pasos siguientes:

1. Ponga el MissionNANO™ del revés con delicadeza.
2. Extraiga la cubierta de la batería y la batería.
3. Saque los tornillos de las cuchillas con un destornillador de punta plana.
4. Atornille las hojas nuevas firmemente.
5. Vuelva a instalar la batería y la cubierta de la batería.



**Importante:** Después de enroscar las cuchillas al disco de corte, asegúrese de que el disco puede girar libremente.

# 2

## Manténgalo limpio



**ADVERTENCIA:** Antes de la limpieza, apague su MissionNANO™. Póngase guantes de protección antes de limpiar el disco de corte y no utilice agua corriente.

## A. Limpieza del mecanismo

El MissionNANO™ tendrá una vida mucho más saludable y larga más si se limpia con regularidad. Tenga en cuenta que su MissionNANO™ es una máquina eléctrica, por lo que deberá tener cuidado al limpiarla, **NO utilice una manguera, ni agua a alta presión ni vierta agua de ninguna otra manera sobre su MissionNANO™**, es mejor utilizar un atomizador lleno con agua. Al limpiar la carcasa de plástico utilice un cepillo suave o un paño limpio y evite el uso de solventes o limpiadores. Por último, asegúrese de retirar toda la acumulación de restos de césped y residuos, especialmente de las rejillas de ventilación del motor.



## B. Limpieza de la parte inferior

Una vez más, es importante que apague el MissionNANO™ y use guantes de protección antes de tocar el disco de corte.

En primer lugar, coloque la MissionNANO™ boca abajo para exponer la parte inferior. Aquí verá el disco de corte, la caja del motor y las ruedas delanteras y motrices. Limpie todo a fondo con un cepillo suave o un paño húmedo.



**ADVERTENCIA: NUNCA limpie los bajos del MissionNANO™ con un chorro de agua.** Podría dañar los componentes.

Gire el disco de corte para asegurarse de que gira libremente. Compruebe que las cuchillas giran libremente sobre los tornillos de fijación. Quite cualquier obstrucción que se haya podido generar.

**IMPORTANTE:** Elimine todos los residuos para que no se resquebraje el disco de corte. La más pequeña fisura puede disminuir el rendimiento de corte de su MissionNANO™.



## C. Limpie las patillas de los contactos y las regletas de carga

Mediante un paño, limpie la patilla de contacto situada en la base de carga y la regleta de carga situada en su MissionNANO™. Quite cualquier resto de hierba cortada alrededor de las patillas de contacto y las regletas de carga para garantizar que su MissionNANO™ se carga correctamente en todo momento.

# 3

## Duración de la batería

El corazón del MissionNANO™ es la Batería de Litio de 20 voltios. Para un almacenamiento correcto de la batería, asegúrese de que está totalmente cargada y en un lugar fresco y seco (-20°C-60°C).

**NOTA:** La temperatura de funcionamiento recomendada para el MissionNANO™ es de 0-55 °C.

La vida útil de la batería del MissionNANO™ depende de varios factores, tales como:

- Duración de la temporada de corte en su región
- Cantidad de horas que el MissionNANO™ funciona diariamente
- La forma de tratar la batería durante el almacenamiento

El MissionNANO™ puede ser cargado manualmente sin el cable de límites.

1. Conecte la Base de Carga a una toma de corriente adecuada. La luz verde de la base de carga se encenderá.
2. Conecte manualmente el MissionNANO™ en la Base de Carga mientras el MissionNANO™ está apagado.
3. La luz verde de la base de carga cambiará al color rojo. Se inicia el proceso de carga del MissionNANO™.



## 4

### Hibernación

Su MissionNANO™ vivirá más tiempo y más saludable si se le permite hibernar. Así que, aunque es pesado, le recomendamos que durante el invierno guarde el MissionNANO™ en el cobertizo o en el garaje.

Antes de poner su MissionNANO™ a hibernar, debe asegurarse de:

- Limpiar a fondo su MissionNANO™
- Cargar completamente la batería
- Voltar el cortacésped

Para maximizar la vida útil de la batería, le recomendamos que la cargue totalmente antes de almacenarla durante el invierno.

**⚠ ADVERTENCIA: Proteja los bajos del MissionNANO™ frente al agua. NUNCA almacene el MissionNANO™ cara arriba al aire libre si con ello queda expuesto al agua.**

El cable delimitador se puede dejar en el suelo, pero se deberían proteger los extremos, por ejemplo, colocándolos dentro en una lata con grasa. Si la base de carga queda fuera durante el invierno, deje el cable delimitador conectado.

**NOTA:** Cuando vuelva a usar el MissionNANO™ después de la hibernación, asegúrese de que las bandas de carga y patillas de contacto están limpias, lo mejor es usar un paño muy suave. En la aplicación, compruebe que la fecha y la hora sean correctas y devuelva el MissionNANO™ a lo que mejor se le da: cortar el césped.

## 5

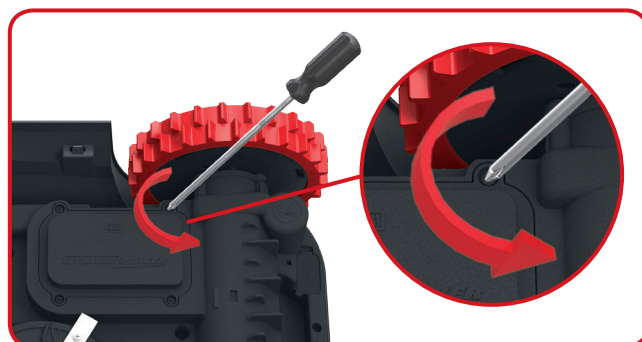
### Sustituir la Batería

**⚠ ADVERTENCIA: Pulse el botón ON/OFF en OFF antes de realizar cualquier ajuste, sustitución o reparación.**

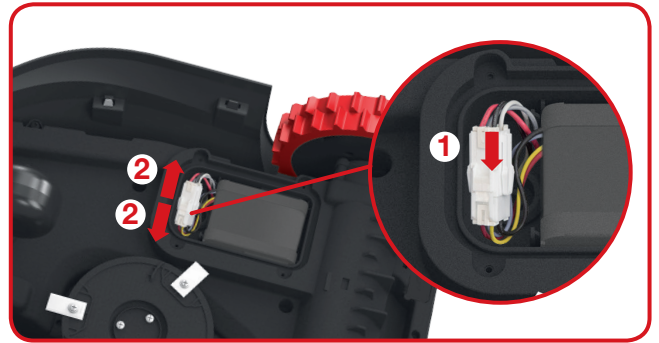
**Antes de reemplazar las hojas, apague su MissionNANO™ OFF y póngase guantes de protección.**

Si necesita reemplazar la batería, siga estos pasos:

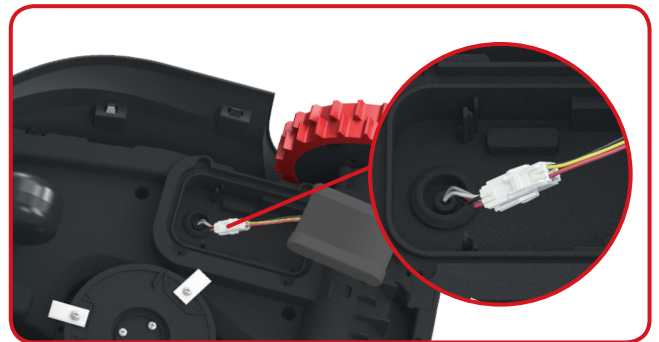
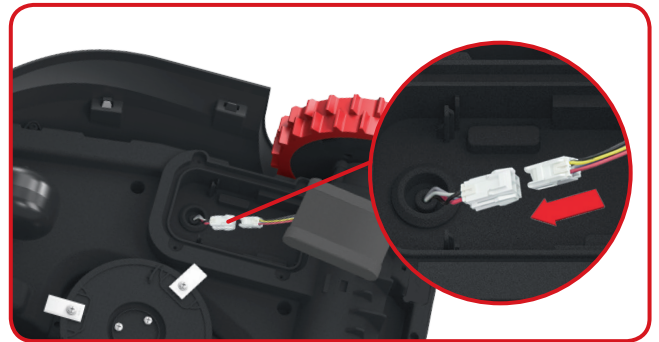
1. Ponga el MissionNANO™ del revés con delicadeza.
2. Retire los tornillos de la batería. Retire la cubierta de la batería.



3. Levante la batería con cuidado. Presione el enganche y suelte los conectores.  
**NOTA:** No la sujete por los cables. Sostenga los conectores y libere el pestillo.



4. Para instalar una nueva batería original, conecte los conectores entre sí hasta que la batería quede sujeta a su posición.



5. Instale la batería tal como se muestra. Vuelva a instalar la cubierta en su posición y apriete bien los tornillos.



# Problemas durante la instalación

Si su MissionNANO™ no funciona correctamente, siga esta Guía de Resolución de Problemas. Si el problema persiste, contacte con su distribuidor.

Síntoma	Causa	Acción
El indicador LED de la estación de carga no se enciende.	No hay alimentación.	Compruebe que el cable de alimentación está conectado correctamente al cargador y que el cargador está conectado a una fuente de alimentación adecuada.
Luz verde intermitente en la base de carga.	El cable delimitador no está conectado.	Compruebe que el cable delimitador se ha conectado correctamente a la base de carga. Compruebe que no hay ninguna interrupción en el cable delimitador, especialmente en los extremos del cable.
Su MissionNANO™ está dentro de su territorio y el cable delimitador está conectado. La luz indicadora de error parpadeará con el color rojo.	Los extremos del cable delimitador están fijados de forma incorrecta.	Invierta los extremos del cable delimitador.
MissionNANO™ no se puede conectar correctamente a la Base de Carga.	Influencia medioambiental.	Reinicie el MissionNANO™.
	Mala conexión debido a la contaminación de la banda de carga.	Limpie la patillas de contacto de la base de carga y la banda de carga de la máquina con un paño.
El MissionNANO™ se sale del cable delimitador. EL MissionNANO™ no corta un área dentro de la zona del cable delimitador. El MissionNANO™ invierte la marcha o gira de forma errónea cerca del cable delimitador.	El cable delimitador de otro MissionNANO™ u otro robot cortacésped está excesivamente cerca.	Compruebe que el cable delimitador de su MissionNANO™ está al menos a 1m de distancia de otro límite.
	El cable de límites ha sido instalado con esquinas puntiagudas.	Compruebe el cable de límites para suavizar las esquinas.
	En condiciones con agua o humedad, la señal eléctrica del cable delimitador puede perderse en las zonas en las que el cable se ha unido o reparado.	Compruebe las juntas de unión del cable delimitador. Aíslelas para proporcionar una conexión totalmente impermeable.
	Hay una pérdida de la señal eléctrica del cable delimitador debido a un aislamiento roto.	Repare el aislamiento del cable delimitador dañado y sus conectores.
	El área de corte es superior al área de corte permitida para el MissionNANO™.	Reduzca la zona de corte.
El MissionNANO™ se sale del límite del cable debido a un exceso de velocidad cuando va cuesta abajo	El Cable Delimitador está colocado sobre una pendiente con una inclinación superior a un 17% (10°).	Recoloque el Cable Delimitador lejos de pendientes que tengan una inclinación superior a un 17% (10°).

# Protección ambiental

 Los residuos de equipamientos eléctricos y electrónicos no deben depositarse con las basuras domésticas. Se recogen para reciclarse en centros especializados. Consulte las autoridades locales o su distribuidor para obtener información sobre la organización de la recogida.

# Declaración de conformidad

Los que reciben,  
Positec Germany GmbH  
Grüner Weg 10, 50825 Cologne, Germany

Declaran que el producto,  
Descripción **Robot Cortacesped**  
Modelo **KR100 (100-199 - denominaciones de maquinaria, representantes de Robot Cortacesped)**  
**(El año, la referencia y el mes del número de serie se indican en la página posterior. El número de serie completo se indica de forma clara en la carcasa del cortacésped) con cargador de batería KA0200 / KA0201 y base de carga KA0070**  
Función **Corte de césped**

Cumple con las siguientes Directivas,  
**2006/42/EC, 2014/30/EU, 2014/35/EU, 2011/65/EU, 2000/14/EC modificada por 2005/88/EC, 2014/53/EU**

62

Es

2000/14/EC modificada por 2005/88/EC

- Procedimiento de evaluación de la conformidad de acuerdo con **Annex V**
- Nivel de presión acústica **67.6 dB (A)**
- Nivel de intensidad acústica **68 dB (A)**

Normativas conformes a,  
**EN 60335-1:2012+A11:2014, EN 50636-2-107:2015, EN 60335-2-29:2004+A2:2010, EN 62233:2008, EN ISO 3744:2005, EN 55014-1:2006+A1:2009+A2:2011, EN 61000-3-2:2014, EN 61000-3-3:2013, EN 55014-2:2015, EN 61558-1:2005+A1:2009, EN 61558-2-16:2009+A1:2013, EN 300 328 V2.1.1, EN 301 489-1 V2.1.1, EN 301 489-17 V3.1.1, EN 62311:2008**

La persona autorizada para componer el archivo técnico,

**Firma** **Marcel Filz**

**Dirección** **Positec Germany GmbH, Grüner Weg 10, 50825 Cologne, Germany**



2018/02/09

Allen Ding

Ingeniero Jefe Adjunto. Pruebas y Certificación

Positec Technology (China) Co., Ltd.

18, Dongwang Road, Suzhou Industrial

Park, Jiangsu 215123, P. R. China

# Productveiligheid

## Algemene & extra veiligheidsinstructie



### **WAARSCHUWING! Lees alle instructies zorgvuldig door.**

Indien u zich niet aan alle onderstaande instructies houdt, kan dat leiden tot een elektrische schok, brand en/of ernstig letsel.

**Lees de instructies aandachtig voor een veilig gebruik van de machine.**

**Bewaar alle waarschuwingen en instructies voor latere naslag.**

- Dit apparaat is niet bedoeld voor gebruik door personen (waaronder kinderen) met verminderde fysieke of mentale capaciteiten of een verminderd waarnemingsvermogen, tenzij ze voor gebruik van het apparaat toezicht en instructie krijgen van iemand die verantwoordelijk is voor hun veiligheid.
- Kinderen moeten onder toezicht worden gehouden om te verzekeren dat ze niet met het apparaat spelen.
- Het apparaat mag alleen worden gebruikt met de voedingsadapter die wordt meegeleverd met het apparaat.

## **BELANGRIJK**

**LEES ALLE INSTRUCTIES ZORGVULDIG DOOR.**

**BEWAAR ALLE WAARSCHUWINGEN EN INSTRUCTIES VOOR LATERE NASLAG**

## **Veilige Bediening Instructies**

- Lees de instructies nauwkeurig door. Zorg ervoor dat u de instructies begrijpt en dat u bekend bent met de bedieningsorganen en het juiste gebruik van het toestel;
- Sta niet toe dat het toestel gebruikt wordt door personen die niet bekend zijn met deze instructies of door kinderen. Plaatselijke voorschriften kunnen een grens leggen aan de leeftijd van de gebruiker;
- De gebruiker is verantwoordelijk voor ongevallen en gevaren die optreden met andere personen of hun eigendommen.

## **Vorbereitung**

- Zorg ervoor dat de grensdraad correct wordt geïnstalleerd volgens de instructies.
- controleer het gebied waarin het toestel gebruik wordt geregeld. Verwijder alle stenen, stokken, draden, botten en ander vreemde voorwerpen.
- Inspecteer de messen, bouten en het snijmechanisme geregeld op slijtage en schade. Vervang versleten en beschadigde messen en

- bouten gelijktijdig, zodat de balans behouden blijft.
- Bij toestellen met meerdere assen let u erop dat het draaien van het ene mes ook het ander mes in beweging brengt.
  - WAARSCHUWING!** De grasmaaier mag niet worden gebruikt zonder dat de afscherming op zijn plaats is.

## **Bediening**

### **1. Algemeen**

- Gebruik het toestel niet met een defecte kap of zonder dat de veiligheidsmiddelen, zoals de, af buigers op hun plaats zitten;
- Steek geen handen of voeten in de buurt van de draaiende delen. Houd steeds afstand van de; uitwerp opening;
- Til het toestel niet op en vervoer het niet terwijl het in werking is;
- Verwijder het veiligheidsmiddel van het apparaat.
  - Voordat u een blokkering verwijdert;
  - Voordat u de machine controleert, schoonmaakt of onderhoudt;
- Het is niet toegestaan het oorspronkelijke ontwerp van de grasmaaier te veranderen. Alle wijzigingen zijn op eigen risico.
- Start de automatische grasmaaier volgens de instructies. Plaats nooit uw handen en voeten onder de Robotmaaier.
- Sta niet toe dat de maaier gebruikt wordt door personen die niet weten hoe de Robotmaaier werkt en zich gedraagt.
- Leg geen voorwerpen op de Robotmaaier of op het laadstation.
- Laat de Robotmaaier niet werken met een defect mes of een defecte behuizing. Hij moet ook niet worden gebruikt met defecte schroeven, moeren of kabels.
- Schakel de Robotmaaier altijd uit als u niet van plan bent om de Robotmaaier te gebruiken.
- Houd uw handen en voeten buiten het bereik van de roterende bladen. Plaats uw handen of voeten bij of onder de behuizing als de robotische gazonmaaier in bedrijf is.
- Vermijd gebruik van de machine en de accessoires onder slechte weersomstandigheden, voornamelijk als er gevaar op bliksem is.
- Raak riskante bewegende delen niet aan, voordat die stilgezet zijn.

### **2. Als het toestel automatisch functioneert**

- Laat de machine niet werken zonder toezicht als u weet dat er dieren, kinderen of andere personen in de omgeving zijn.

## Onderhoud en opslag



**WAARSCHUWING!** Verwijder de sleutel uit de machine en zorg ervoor dat de messen volledig zijn gestopt voordat u de machine onderhoud, inspecteert, opslaat of de messen vervangt.

- a) Zet alle moeren, bouten en schroeven vast om zeker te weten dat het toestel in de veilige werktoestand is;
- b) Inspecteer de grasmaaier elke week en vervang versleten of beschadigde onderdelen voor de veiligheid;
- c) Controleer of de messen en de schijf niet beschadigd zijn. Verwijder alle messen en schroeven tegelijk, zodat de draaiende delen in balans blijven.
- d) Zorg ervoor dat uitsluitend vervangingsonderdelen van het juiste type worden gebruikt;
- e) Zorg ervoor dat batterijen worden opgeladen met de juiste lader, aanbevolen door de fabrikant. Onjuist gebruik kan resulteren in een elektrische schok, oververhitting of lekkage van de corroderende vloeistof uit de batterij;
- f) Bij lekkage van het elektrolyt spoelt u met water of een neutraliserend middel. Vraag medische hulp als het elektrolyt in contact komt met de ogen e.d.;
- g) Onderhoud van het toestel moet geschieden in overeenstemming met de instructies van de fabrikant.

64

NI

### Aanbeveling

Sluit het apparaat en/of de accessoires alleen aan op een elektriciteitsnet dat door een aardlekschakelaar met een schakelstroom van niet meer dan 30 mA beveiligd is.

### Overige risico's

Draag, als u de bladen vervangt, beschermende handschoenen om verwondingen te voorkomen.

### Vervoer

De oorspronkelijke verpakking moet worden gebruikt als de grasmaaier over een langere afstand vervoerd wordt. Veilig vervoer van en naar het werkgebied:

- a) Druk op de knop STOP om de maaier te stoppen.
- b) Schakel de automatische grasmaaier altijd uit als u van plan bent om de grasmaaier te dragen.
- c) Draag de maaier bij het handvat aan de achterkant, onder de maaier. Draag hem met de messen van uw lichaam afgekeerd.

## Veiligheidsvoorschriften voor de accu in het apparaat

- a) Batterijcellen en accupacks mogen niet gedemonteerd, geopend of vernietigd worden.
- b) **Sluit accupacks niet kort. Bewaar accupacks niet willekeurig in een doos of lade waar ze elkaar kunnen kortsluiten of door geleidende voorwerpen kortgesloten kunnen worden.** Houd het accupack op een afstand van andere metalen voorwerpen als paperclips, muntstukken, sleutels, nagels, schroeven en andere kleine metalen voorwerpen die de contacten van de accupack kunnen verbinden. Kortgesloten contacten van accupacks kunnen brandwonden of brand veroorzaken.
- c) **Stel accupacks niet bloot aan warmte of vuur. Vermijd opslag in direct zonlicht.**
- d) **Stel accupacks niet bloot aan mechanische schokken.**
- e) **Als een accu lekt dient men voorzichtig te zijn dat de vloeistof niet in contact komt met de huid of de ogen. Als dat toch gebeurt spoelt men de huid onder stromend water en raadpleegt men een arts.**
- f) **Raadpleeg meteen een arts wanneer een batterij of accupack is ingeslikt .**
- g) **Houd batterijcellen en accupacks schoon en droog.**
- h) **Accupacks presteren het best bij normale kamertemperatuur (20 °C ± 5 °C).**
- i) **Wanneer u accupacks wegwerpt, dient u accupacks van verschillende elektrochemische systemen van elkaar afgezonderd te houden.**
- j) **Laad alleen op met een lader met de technische gegevens van Kress. Gebruik geen andere lader dan de lader die specifiek voor dat doel met de apparatuur is meegeleverd.** Een lader voor één type accupack geschikt is kan een brandgevaar inhouden wanneer gebruikt met een ander type.
- k) **Gebruikt geen accupack dat niet bedoeld is voor gebruik met deze apparatuur.**
- l) **Houd accupacks buiten het bereik van kinderen.**
- m) **Bewaar de oorspronkelijke instructies van het product voor latere gebruik.**
- n) **Volg de juiste procedure voor afvalverwijdering na afdanken van dit apparaat.**



# Symbolen



WAARSCHUWING –de Robotmaaier kan gevaarlijk zijn bij verkeerd gebruik. Lees de gebruiksaanwijzing grondig door en zorg ervoor dat u de inhoud begrijpt voordat u de Robotmaaier gebruikt.



Niet blootstellen aan regen of water.



Reinig de machine niet met een hogedrukreiniger.



WAARSCHUWING - Houd omstanders op afstand.



WAARSCHUWING – Verwijder het veiligheidsmiddel voordat u aan de machine werkt of deze optilt.



WAARSCHUWING –Rij niet op de machine.



Klasse III-apparaten



Afgedankte elektrische producten mogen niet bij het normale huisafval terechtkomen. Breng deze producten waar mogelijk naar een recyclecentrum bij u in de buurt. Vraag de verkoper of de gemeente informatie en advies over het recyclen van elektrische apparatuur.

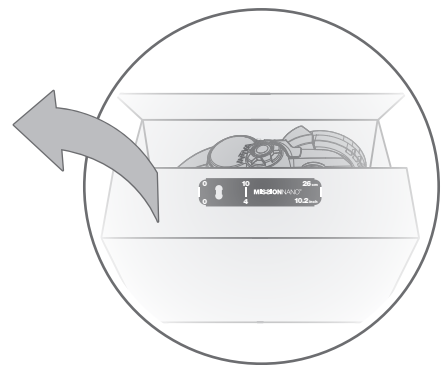
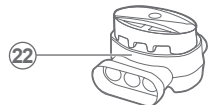
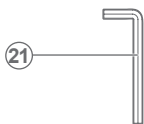
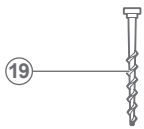
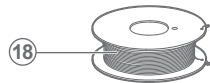
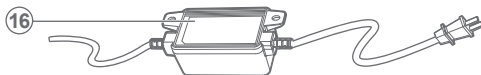
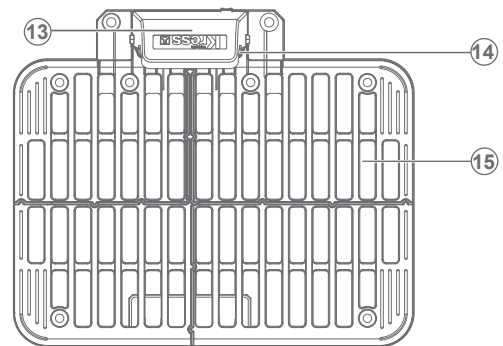
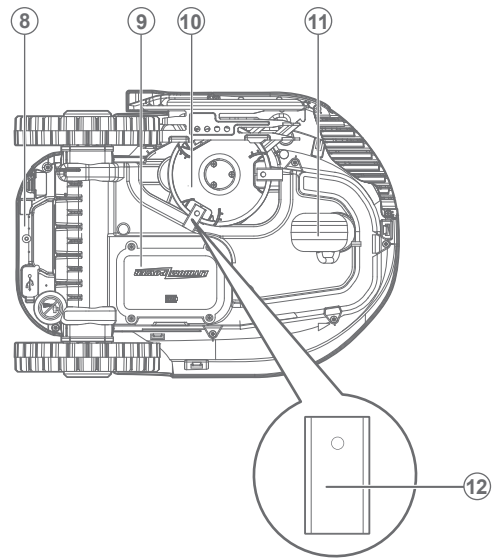
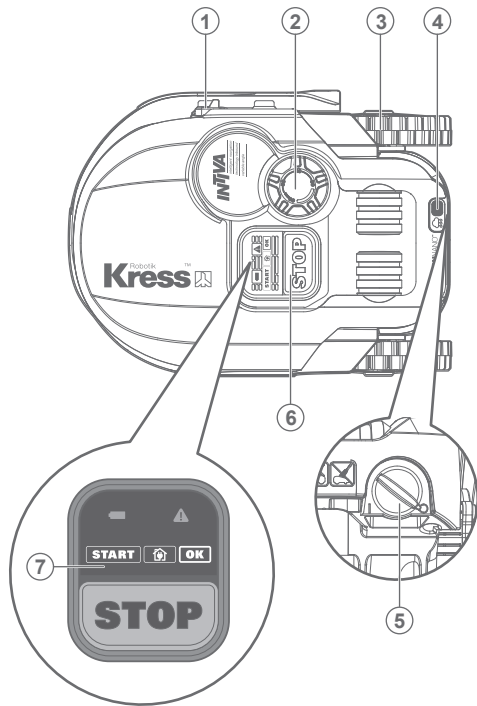


Batterijen niet weggooien. Breng lege accu's naar een recyclingcentrum of inzamelpunt voor chemisch afval bij u in de buurt.



Niet in brand steken.

# Onderdelenlijst



- |                         |   |
|-------------------------|---|
| 1. Laadstrip            | 12. Snijmes                               |
| 2. Regelknop Maaihoogte | 13. Beschermkap                           |
| 3. Achterste Rijwiel    | 14. Contactpinnen                         |
| 4. Regensensor          | 15. Laadstation                           |
| 5. Aan/Uit-Schakelaar   | 16. Voedingsapparaat                      |
| 6. Stopknop             | 17. Draadpennen                           |
| 7. Bedieningspaneel     | 18. Grensdraad                            |
| 8. Handvat              | 19. Bevestigingschroeven Voor Laadstation |
| 9. Accu                 | 20. Afstandmal Voor Grensdraad            |
| 10. Mesdraaiende Schijf | 21. Inbussleutel                          |
| 11. Voorwiel            | 22. Koppelstuk                            |

## Technische Gegevens

Type **KR100 (100-199 - aanduiding van machinerie, kenmerkend voor robotgrasmaaier)**


Nominaal vermogen	20V  Max.*
Toerental onbelast	2800/min
Maaigebied	600m <sup>2</sup>
Snijdiameter	18cm
Maaihoogte	30-60mm
Hoogte-instellingen	4
Accutype	Lithium
Batterijmodel	KA0101
Laadtijd Ongeveer	2uur
Model Lader	KA0200 / KA0201
Lader gegevens	Lader primair: 100-240V~50/60Hz, 38W, Secundair: 20V, 1.5A
Gewicht machine	8.8kg
Veiligheidsklasse	III
App	Y
Golflengtegebruik van de ingebouwde WLAN-module	2.412GHz-2.484GHz
Max. radiofrequentie-vermogen van de ingebouwde WLAN-module	802.11b:+16±2dBm(@11Mbps) 802.11g:+14±2dBm(@54Mbps) 802.11n:+13±2dBm(@HT20,MCS7)

67

NI

\* Spanning gemeten zonder belasting. Beginspanning batterij bereikt maximum 20 volt. Nominale spanning is 18 volt.

# Geluids gegevens

A-gewogen geluidsdruk	$L_{pA} = 47.6 \text{ dB (A)}, K_{pA} = 3.0 \text{ dB(A)}$
A-gewogen geluidsvermogen	$L_{wA} = 67.6 \text{ dB (A)}, K_{wA} = 3.0 \text{ dB(A)}$
Gebruik gehoorbescherming indien de geluidsdruk hoger is dan	80dB(A) 

Het is onvermijdelijk dat de machine wat lawaai veroorzaakt. Voor luidruchtig werk is een vergunning vereist en het werk is gelimiteerd tot bepaalde periodes. Houd rusttijden aan en beperkt de werkuren tot een minimum. Draag passende gehoorbeschermers voor de persoonlijke bescherming en de bescherming van mensen die in de omgeving werken.

## Toebehoren

Schroeven	9
Laagspanningskabel	1
Bevestigings schroeven voor laadstation	8
Grensdraad	150m
Draadpennen	210
Inbussleutel	1
Afstand mal voor grensdraad	2
Messen	9
Accu (KA0101)	1
Lader (KA0200 / KA0201)	1
Koppelstuk	2

68

NI

Wij adviseren u alle accessoires te kopen in de winkel waar u het gereedschap heeft gekocht. Kijk op de verpakking van het accessoire voor meer informatie. Ook het winkelpersoneel kan u helpen en adviseren.

## Gebruik volgens bestemming

Dit product is bestemd voor het maaien van gazons (uitsluitend particulier gebruik). Hij is gemaakt om vaak te maaien en een gezonder en mooier gazon te maken. Afhankelijk van de grootte van uw gazon kan de MissionNANO™ geprogrammeerd worden om op elk moment te werken. Het apparaat is niet bedoeld om er mee te graven, te vegen of sneeuw te ruimen.

## Onderhoud

De MissionNANO™ moet af en toe gecontroleerd worden. De MissionNANO™ werkt hard en heeft af en toe een schoonmaakbeurt nodig, waarbij onderdelen vervangen worden, want ze kunnen slijten. Gebruik nooit uw MissionNANO™ met een defecte aan-/ uitschakelaar.

Schakel de machine voor het uitvoeren van reparaties en onderhoud.

Hieronder staat hoe u de MissionNANO™ verzorgt.

# 1

Houd hem scherp

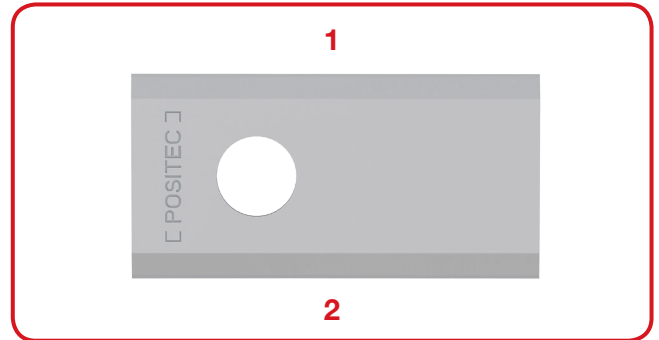


**WAARSCHUWING:** Zet uw MissionNANO™ vóór reiniging, afstelling of vervanging van de bladen op OFF en trek veiligheidshandschoenen aan.



**WAARSCHUWING:** Vervangt u het mes, vervang dan alle messen tegelijk. Gebruik altijd nieuwe schroeven bij het inzetten van messen. Dit is belangrijk om intrekking van het blad te waarborgen en om de bladdraaischijf in balans te brengen. Het gebruik van oude schroeven kan tot ernstige verwonding leiden.

De MissionNANO™ maait het gras niet zoals andere maaiers. De messen zijn aan 2 kanten scherp als een scheermes en draaien in beide richtingen voor de maximale snijcapaciteit. Elk mes van de MissionNANO™ heeft 2 snijranden. De draaischijf voor de messen zal willekeurig naar voren of achteren draaien om beide snijranden te gebruiken. Dat helpt om het aantal malen te minimaliseren dat een snijblad vervangen moet worden. Elk mes heeft een levensduur van maximaal 2 maanden als er elke dag gemaaid wordt. Controleer steeds of de messen niet beschadigd zijn en vervang ze zo nodig. Zijn de messen bot en versleten, dan moeten ze vervangen worden door de reservemessen die met de MissionNANO™ geleverd zijn. U vindt ook reservemessen bij uw Kress-leverancier.



## A. De messen vervangen

Na enige tijd, meestal een keer per seizoen, moeten de messen van de MissionNANO™ vervangen worden. Vervang ze allemaal tegelijk. U kunt ze vervangen met een van de kits met reservemessen en extra schroeven die met de MissionNANO™ geleverd zijn.

Voordat u begint met het vervangen van de messen van de MissionNANO™, schakelt u de voeding uit en trekt u beschermende handschoenen aan. Ga dan als volgt te werk:

1. Keer de MissionNANO™ voorzichtig om
2. Verwijder het batterijklepje en verwijder de batterij.
3. Haal de schroeven uit de messen met een schroevendraaier.
4. Schroef de nieuwe messen er stevig op.
5. Plaats de batterij en het batterijklepje opnieuw.

**Belangrijk:** Nadat u de messen aan de schijf heeft vastgeschroefd, controleert u of de messen vrij kunnen draaien.

# 2

Houd hem schoon



**WAARSCHUWING:** Zet uw uw MissionNANO™ op OFF vóóordat u hem schoonmaakt. Draag beschermende handschoenen als u de schijf schoonmaakt en gebruik geen stromend water.

## A. De behuizing schoonmaken

De MissionNANO™ is gelukkiger en leeft langer als hij geregeld schoongemaakt wordt. Uw MissionNANO™ is een elektrisch apparaat dat met de nodige voorzichtigheid moet worden gereinigd. **Gebruik daarom GEEN tuinslang of hogedrukreiniger, noch stromend water op uw MissionNANO™.** U gebruikt hiervoor het beste een sproeifles die gevuld is met water. Bij het schoonmaken van de behuizing gebruikt u een zachte borstel of schone doek, zonder oplos- of polijstmiddelen. Tenslotte verwijdert u alle resten van afgemaaid gras en vuil.



## B. De onderkant schoonmaken

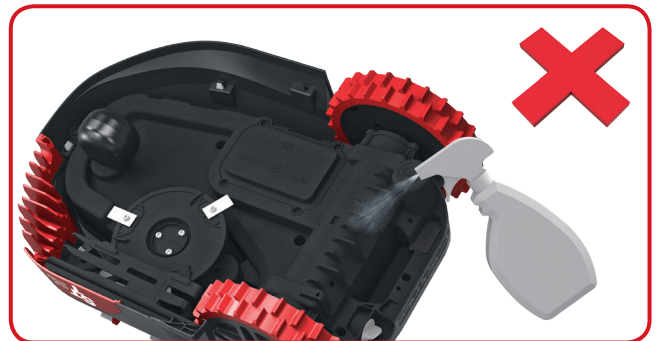
We herhalen het, het is belangrijk dat u de MissionNANO™ uitschakelt met de Aan/uitknop en dat u beschermende handschoenen draagt voordat u de schijf aanraakt. Keer de MissionNANO™ eerst ondersteboven, zodat de onderkant zichtbaar wordt. U ziet de schijf, het chassis en de voorste wielen en de aandrijfwielen. Maak alles grondig schoon met een zachte doek of een zachte borstel.



**WAARSCHUWING: Spoel de onderzijde van de MissionNANO™ NOOIT met water.** De onderdelen kunnen worden beschadigd.

Draai aan de messenschijf om er zeker van te zijn dat deze vrij kan draaien. Controleer of de messen vrij draaien rondom de bevestigingsschroeven. Verwijder eventuele obstakels.

**BELANGRIJK: Verwijder vastzittend materiaal zodat het geen barst in de schijf kan veroorzaken. Zelfs een kleine barst kan de maaiprestaties van de MissionNANO™ negatief beïnvloeden.**



## C. Maak de contactpinnen en de laad strips schoon

Maak de contactpin op het laadstation en de laadstrip op de MissionNANO™ schoon met een doek. Verwijder restanten van gras en vuil rondom de contactpinnen en laad strips periodiek om zeker te weten dat de MissionNANO™ elke keer goed kan worden opgeladen.

# 3

## Levensduur van de batterij

Het hart van de MissionNANO™ is een lithium-ion batterij van 20 volt. Voor de juiste opslag van de batterij zorgt u ervoor dat hij volledig opgeladen is en ligt op een droge plaats tussen -20°C en 60°C.

**OPMERKING:** De aanbevolen MissionNANO™ bedrijfstemperatuur ligt tussen 0-55°C.

De levensduur van de batterij van de MissionNANO™ is van diverse factoren afhankelijk zoals:

- Hoe lang het maaiseizoen duurt in uw woonplaats
- aantal uren per dag dat de MissionNANO™ maait
- Onderhoud van de batterij bij opslag.

MissionNANO™ kan handmatig worden opgeladen zonder de begrenzingskabel.

1. Sluit het laadstation aan op een geschikte voedingsbron. Het groene lampje van het oplaadstation gaat branden.
2. Plaats de uitgeschakelde MissionNANO™ handmatig in het laadstation.
3. Het groene lampje van het oplaadstation zal rood branden. De MissionNANO™ begint te laden.



## 4

### Winteropslag

De MissionNANO™ leeft langer en blijft gezonder als u hem een goede winterslaap gunt. Hij is onverwoestbaar, maar hij slaapt in de winter toch liever in de schuur of in de garage.

Voordat u de MissionNANO™ wegbrengt voor de winterslaap, zorgt u voor het volgende:

- Maak de MissionNANO™ grondig schoon
- Laad de batterij volledig op
- Schakel de MissionNANO™ uit

Om de levensduur van de batterij te verlengen, het is aan te bevelen de batterij volledig op te laden voor de winteropslag.

**WAARSCHUWING:** Bescherm de onderkant van MissionNANO™ tegen water. Sla de MissionNANO™ NOOIT ondersteboven.

Het grensdraad kan in de grond blijven liggen, maar de uiteinden moeten beschermd worden, bijvoorbeeld door de uiteinden in te vetten. Blijft het laadstation in de winter buiten, laat de grensdraad dan aangesloten.

**OPMERKING:** Neemt u de MissionNANO™ na de winterslaap weer in gebruik, zorg er dan voor dat de laad strips en contactpinnen schoon zijn. Het is aan te bevelen ze schoon te maken met een fijne schuurdoek. Zorg er met behulp van de app voor dat de datum en de tijd juist zijn en laat MissionNANO™ daarna weer doen wat het graag doet: maaien.

## 5

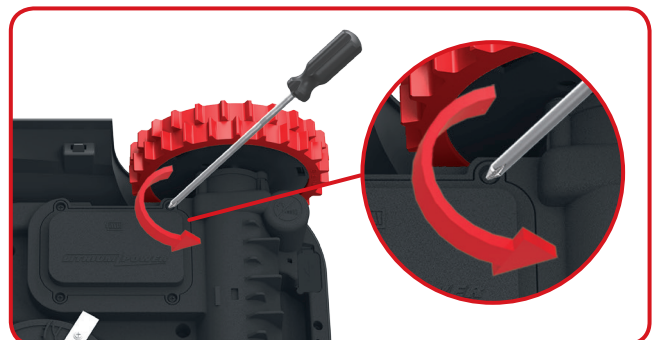
### De batterij vervangen

**WAARSCHUWING:** Zet de Aan/uitschakelaar in de stand **UIT** voordat u begint met enige instelling, vervanging of reparatie.

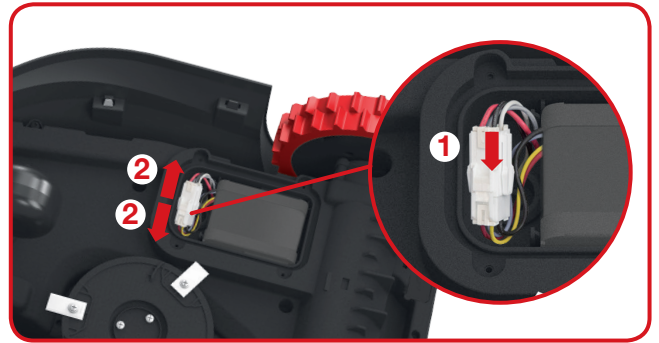
Zet uw MissionNANO™ vóór vervanging van de bladen op **OFF** en trek veiligheidshandschoenen aan.

Moet u de batterij vervangen, ga dan als volgt te werk:

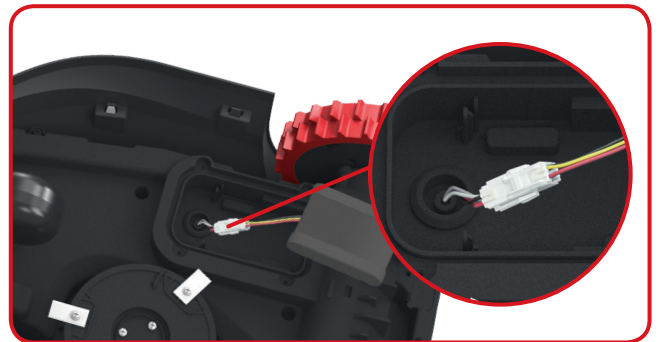
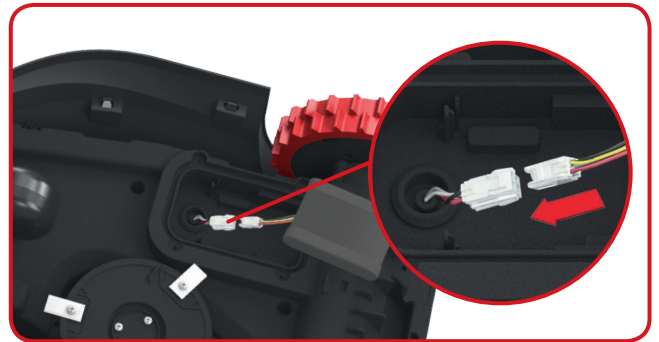
1. Keer de MissionNANO™ voorzichtig om.
2. Draai de schroeven van de batterij los. Verwijder het batterijdeksel.



3. Verwijder de oude accu voorzichtig. Druk op de grendel en trek de connectors los.  
**OPMERKING:** Trek niet aan de kabels. Houd de connectoren vast en maak de vergrendeling los.



4. Sluit een nieuwe originele accu aan door de connectors aan te sluiten totdat deze vastklikken.



5. Plaats de accu zoals getoond wordt. Plaats het deksel terug op zijn plaats en maak het goed met schroeven vast.






# Probleemoplossing bij installatie

Werkt de MissionNANO™ niet goed, volg dan de gids voor het oplossen van problemen hieronder. Heft dat de storing niet op, neem dan contact op met de leverancier.

Problemen	Mogelijke oorzaken	Herstelhandeling
De led op het laadstation brandt niet.	Er is geen netvoeding.	Controleer of de stroomkabel correct op het oplaadstation is aangesloten en of de oplader op een geschikte voeding is aangesloten.
Groene lampje van het oplaadstation knippert.	De grensdraad is niet aangesloten.	Controleer of de grensdraad correct is aangesloten op het oplaadstation. Controleer of de grensdraad geen breuken vertoont, vooral niet in de kabeluiteinden.
Uw MissionNANO™ is binnen zijn werkgebied en de grensdraad is aangesloten. Het foutlampje knippert rood.	De grensdraadeinden zijn niet correct geplaatst.	Draai de uiteinden van de grensdraad om.
De MissionNANO™ dokt niet goed in het laadstation.	Omgevingsfactoren.	Herstart de MissionNANO™.
	Slechte verbinding door vuil op de laadstrip.	Reinig de contactstrip van het laadstation en de oplaadstrip op de MissionNANO™ met een doek.
De MissionNANO™ beweegt buiten de grensdraad. De MissionNANO™ maait een gebied binnen de grensdraad niet. De MissionNANO™ keert om of draait onregelmatig in de buurt van de grensdraad.	De begrenzingskabel van een andere MissionNANO™ of robotmaaier van een ander merk bevindt zich te dicht in de buurt.	Zorg voor minstens 1 meter afstand tussen de begrenzingskabel van uw MissionNANO™ en andere begrenzingskabels in de buurt.
	De begrenzingskabel is geïnstalleerd met scherpe hoeken.	Controleer de begrenzingskabel en zorg ervoor dat alle hoeken gerond zijn.
	Onder natte omstandigheden kan het elektrische signaal op de grensdraad weglekken op plaatsen waar de draad verbonden of gerepareerd is.	Controleer de grensdraadverbindingen. Isoleer de draad voor een volledig waterdichte verbinding.
	Er is een lekkage van het elektrische signaal op de grensdraad vanwege defecte isolatie.	Herstel beschadigde begrenzingsdraad met aansluitingen.
	Het maaigebied is groter dan het toegestane maaigebied voor de MissionNANO™.	Het snijdgebied verkleinen.
De MissionNANO™ verlaat het afgebakende gebied door een te hoge snelheid tijdens het afdalen van een helling.	De grensdraad is geplaatst op een helling die steiler is dan 17% (10°).	Verplaats de grensdraad op een helling die minder steil is dan 17% (10°).

# Bescherming van het milieu

 Afgedankte elektrische producten kunt u niet met het normale huisafval weggooien. Breng deze producten, indien mogelijk, naar een recyclecentrum bij u in de buurt. Vraag de verkoper of de gemeente naar informatie en advies over het recyclen van elektrische producten.

## Conformiteitverklaring

Wij,  
Positec Germany GmbH  
Grüner Weg 10, 50825 Cologne, Germany

Verklaren dat het product,  
Beschrijving **Robotgrasmaaier**  
Type **KR100 (100-199 - aanduiding van machinerie, kenmerkend voor Robotgrasmaaier) (Jaar, artikelnummer en maand van het serienummer staan vermeld op de achterflap. Het gehele serienummer is duidelijk aangegeven op de behuizing van de gazonmaaier) met acculader KA0200 / KA0201 en oplaadbasis KA0070**  
Functie **Gras maaien**

Overeenkomt met de volgende richtlijnen,  
**2006/42/EC, 2014/30/EU, 2014/35/EU, 2011/65/EU, 2000/14/EC gewijzigd door 2005/88/EC, 2014/53/EU**

- 74**  
**NI**
- 2000/14/EC gewijzigd door 2005/88/EC
  - Procedure beoordeling conformiteit volgens
  - Niveau gemeten geluidsvermogen
  - Opgegeven, gegarandeerde niveau geluidsvermogen

**Annex V**  
**67.6 dB (A)**  
**68 dB (A)**

Standaards in overeenstemming met,  
**EN 60335-1:2012+A11:2014, EN 50636-2-107:2015, EN 60335-2-29:2004+A2:2010, EN 62233:2008, EN ISO 3744:2005, EN 55014-1:2006+A1:2009+A2:2011, EN 61000-3-2:2014, EN 61000-3-3:2013, EN 55014-2:2015, EN 61558-1:2005+A1:2009, EN 61558-2-16:2009+A1:2013, EN 300 328 V2.1.1, EN 301 489-1 V2.1.1, EN 301 489-17 V3.1.1, EN 62311:2008**

De persoon die bevoegd is om het technische bestand te compileren,

**Naam** Marcel Filz  
**Adres** Positec Germany GmbH, Grüner Weg 10, 50825 Cologne, Germany



2018/02/09  
Allen Ding  
Plaatsvervangend Chief Ingenieur, Testen en Certificering  
Positec Technology (China) Co., Ltd.  
18, Dongwang Road, Suzhou Industrial  
Park, Jiangsu 215123, P. R. China

# Bezpieczeństwo Produktu

## Ogólne i dodatkowe instrukcje bezpieczeństwa



**OSTRZEŻENIE: Należy przeczytać wszystkie ostrzeżenia bezpieczeństwa i instrukcje.**

Nieprzebranie ostrzeżeń i instrukcji może spowodować porażenie prądem, pożar i/lub poważne obrażenia.

**Należy dokładnie przeczytać instrukcje dotyczące bezpiecznego użytkowania urządzenia.**

**Zachować wszystkie ostrzeżenia i instrukcje na przyszłość.**

- Niniejsze urządzenie nie jest przeznaczone do użytku przez osoby (wliczając w to dzieci) z obniżonymi zdolnościami fizycznymi, sensorycznymi lub umysłowymi oraz nieposiadające doświadczenia i wiedzy na temat urządzenia, chyba że zostaną będą one nadzorowane lub zostaną poinstruowane w zakresie obsługi urządzenia przez osobę odpowiedzialną za ich bezpieczeństwo.
- Należy zadbać o to, by dzieci nie bawiły się urządzeniem.
- Urządzenia można używać tylko z dołączonym do niego zasilaczem.

## WAŻNE

**PRZECZYTAĆ DOKŁADNIE PRZED  
KORZYSTANIEM  
ZACHOWAĆ NA PRZYSZŁOŚĆ**

## Bezpieczne praktyki używania Przeszkolenie

- a) Dokładnie przeczytać instrukcje. Upewnić się, że są one zrozumiałe oraz zaznajomić się z przyciskami sterowania i zasadami prawidłowego korzystania z urządzenia.
- b) Z urządzenia nie mogą korzystać osoby nieobeznane z niniejszymi instrukcjami lub dzieci. Miejscowe przepisy mogą ograniczać wiek osoby uprawnionej do korzystania z urządzenia;
- c) Operator lub użytkownik urządzenia ponoszą odpowiedzialność za zagrożenia powstałe dla osób trzecich lub ich mienia.

## Przygotowanie

- a) Upewnić się, że przewód graniczny jest zainstalowany prawidłowo, zgodnie z instrukcjami.
- b) Regularnie sprawdzać obszar, w którym urządzenie ma być stosowane oraz usuwać wszystkie

- kamienie, patyki, druty, kości i inne ciała obce.
- c) Przeprowadzać regularne inspekcje wzrokowe ostrzy, trzpieni i zespołu tnącego pod kątem zużycia lub uszkodzenia. Wymieniać zużyte lub uszkodzone ostrza i trzpienie w zestawach w celu zachowania wyważenia urządzenia.
- d) W przypadku urządzeń z wieloma narzędziami tnącymi należy zachować ostrożność, ponieważ ruch jednego ostrza może doprowadzić do rotacji pozostałych ostrzy.
- e) **OSTRZEŻENIE!** Nie należy korzystać z robota do koszenia trawy bez założonej osłony.

## Korzystanie z urządzenia

### 1. Informacje ogólne

- a) Nigdy nie należy używać urządzenia z uszkodzonymi osłonami lub bez elementów zabezpieczających, np. deflektorów;
- b) Nie umieszczać rąk lub stóp w pobliżu obracających się części lub pod nimi. Zawsze trzymać się z dala od otworu wylotowego.
- c) Nigdy nie podnosić ani nie przenosić urządzenia, gdy silnik pracuje.
- d) Wyjąć mechanizm blokujący z urządzenia.
  - Przed usuwaniem blokady;
  - Przed sprawdzaniem, czyszczeniem lub wykonywaniem prac na urządzeniu.
- e) Dokonywanie zmian w konstrukcji robota do koszenia trawy jest niedozwolone. Wszelkie modyfikacje wykonywane są na ryzyko użytkownika.
- f) Robot do koszenia trawy należy uruchamiać zgodnie z instrukcjami. Nigdy nie należy umieszczać rąk lub nóg pod robotem.
- g) Nie dopuszczać do korzystania z robota osób, które nie są obeznane ze sposobem jej pracy i zachowania.
- h) Nie umieszczać żadnych przedmiotów na robocie lub stacji ładowania.
- i) Nie korzystać z robota do koszenia trawy w przypadku wadliwej tarczy tnącej lub korpusu. Nie należy również korzystać z robota w przypadku wadliwych ostrzy, śrub, nakrętek lub przewodów.
- j) Gdy robot nie będzie używany, należy zawsze wyłączać go przy użyciu głównego włącznika.
- k) Zabrania się zbliżania kończyn (ręce oraz nogi) do łopatek wirujących. Nigdy nie wkładać rąk lub stóp pod pracującą lub włączoną kosiarkę.
- l) Unikać używania urządzenia i wyposażenia dodatkowego w złych warunkach pogodowych, zwłaszcza gdy istnieje ryzyko wyładowań atmosferycznych.
- m) Nie dotykać poruszających się części, zanim nie zatrzymają się całkowicie.

## 2. Ponadto, gdy narzędzie pracuje w trybie automatycznym

- a) Nie należy zostawiać pracującego urządzenia bez nadzoru wiedząc, że w pobliżu znajdują się zwierzęta domowe, dzieci lub inne osoby.

### Konserwacja i przechowywanie



**OSTRZEŻENIE! Podczas wykonywania prac serwisowych, przeglądów, magazynowania lub wymiana ostrzy, należy wyjąć kluczyk z urządzenia i upewnić się, czy łopatki są nieruchome.**

- a) Wszystkie nakrętki, trzpienie i śruby muszą być dokręcone, aby upewnić się, że urządzenie jest w bezpiecznym stanie.
- b) Sprawdzać stan robota do koszenia trawy co tydzień i wymieniać zużyte lub uszkodzone części w celu zachowania bezpieczeństwa.
- c) Należy w szczególności sprawdzać ostrza i tarczę tnącą pod kątem uszkodzeń. W razie konieczności wszystkie ostrza i śruby należy wymieniać w tym samym czasie, aby zachować wyważenie części obrotowych.
- d) Upewnić się, iż użyto właściwego rodzaju zamiennych części tnących.
- e) Upewnić się, że akumulatory są ładowane przy użyciu odpowiedniej ładowarki zalecanej przez producenta. Nieprawidłowe zastosowanie może spowodować porażenie prądem, przegrzanie lub wyciek płynu korozyjnego z akumulatora.
- f) W przypadku wycieku elektrolitu z akumulatora należy przepłukać miejsce wodą/środkiem neutralizującym, a w przypadku, gdy elektrolit wejdzie w kontakt z oczami, itp., należy zasięgnąć pomocy lekarskiej.
- g) Urządzenie powinno być serwisowane zgodnie z instrukcjami producenta.

### Zalecenie

Urządzenie oraz wyposażenie dodatkowe podłączać wyłącznie do układu elektrycznego wyposażonego w ochronę za pomocą wyłącznika różnicowoprądowego, z prądem zadziałania nie większym niż 30 mA.

### Ryzyko

Podczas wymiany ostrzy używać rękawic ochronnych.

### Transport

Do transportu robota do koszenia trawy na duże odległości należy zastosować oryginalne opakowanie.

W celu bezpiecznego przeniesienia z miejsca pracy lub w jego obrębie:

- a) Nacisnąć przycisk STOP w celu zatrzymania

robotą.

- b) Zawsze wyłączać robota do koszenia trawy, gdy ma być przenoszony.
- c) Robota należy przenosić trzymając za uchwyt znajdujący się pod tylną częścią robota. Robota należy przenosić trzymając tarczę tnącą z dala od ciała.

### Ostrzeżenia bezpieczeństwa dotyczące akumulatora wewnątrz urządzenia.

- a) Nie demontuj, nie otwieraj lub nie niszczyć ogniw pomocniczych lub modułu akumulatora.
- b) Nie zwieraj ogniw lub modułu akumulatora. Nie przechowuj ogniw lub modułu akumulatora w sposób bezładny w pudle lub szufladzie, gdzie mogą się wzajemnie zewrzeć lub ulec zwarcia przez inne metalowe przedmioty. Nie używany akumulator należy trzymać z daleka od spinaczy, monet, kluczy, gwoździ, śrub lub innych małych przedmiotów metalowych, które mogłyby spowodować zmostkowanie kontaktów. Zwarcie pomiędzy kontaktami akumulatora może spowodować oparzenia lub pożar.
- c) Nie narażaj ogniw lub modułu akumulatora na działanie ciepła lub ognia. Unikaj składowania w miejscach pod bezpośrednim działaniem światła słonecznego.
- d) Nie narażaj ogniw lub modułu akumulatora na uderzenia mechaniczne.
- e) W razie wycieku z ogniwa, nie dopuść, aby płyn zetknął się ze skórą lub dostał się do oczu. Jeśli już nastąpił kontakt z płynem, przemyj skażoną powierzchnię dużą ilością wody i zwróć się o pomoc medyczną.
- f) Nie używaj ogniwa lub modułu akumulatora nie przeznaczonego do pracy z danym urządzeniem.
- g) Utrzymuj ogniwa i moduł akumulatora w czystości i w stanie suchym.
- h) Ogniwa pomocnicze oraz moduł akumulatora osiągają największą wydajność podczas pracy w normalnej temperaturze pokojowej ( $20\text{ }^{\circ}\text{C} \pm 5\text{ }^{\circ}\text{C}$ ).
- i) Podczas utylizacji akumulatorów należy oddzielić od siebie akumulatory o różnych systemach elektromechanicznych.
- j) Akumulatory należy ładować tylko w ładowarkach, które poleci producent Kress. Dla ładowarki, która nadaje się do ładowania określonych akumulatorów istnieje niebezpieczeństwo pożaru, gdy użyte zostaną inne akumulatory.
- k) Nie używaj ogniwa lub modułu akumulatora nie przeznaczonego do pracy z danym urządzeniem.
- l) Trzymaj ogniwa i moduł akumulatora poza zasięgiem dzieci.
- m) Zachowaj oryginalne instrukcje produktu do wglądu.
- n) Zużyte ogniwa i akumulatory utylizuj zgodnie z zasadami gospodarki odpadami.

# Symbole



OSTRZEŻENIE – robot do koszenia trawy może być niebezpieczny w przypadku niewłaściwego użytkowania. Przed przystąpieniem do użytkowania robota do koszenia trawy należy dokładnie przeczytać i zrozumieć tekst Instrukcji obsługi.



Nie wystawiać na działanie deszczu lub wody.



Nie myć maszyny myjką ciśnieniową.



OSTRZEŻENIE - Zachować bezpieczną odległość od urządzenia podczas jego pracy.



OSTRZEŻENIE –Przed przystąpieniem do pracy lub przed podniesieniem urządzenia należy wyjąć mechanizm blokujący.



OSTRZEŻENIE –Nie jeździć na urządzeniu.



Urządzenie klasy III



Odpady wyrobów elektrycznych nie powinny być wyrzucane razem z odpadami gospodarstwa domowego. Należy korzystać z recyklingu, jeśli istnieje odpowiednia infrastruktura. Porady dotyczące recyklingu można uzyskać u władz lokalnych lub sprzedawcy detalicznego.



Li-Ion

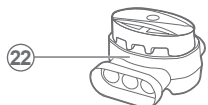
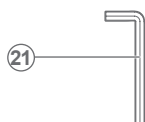
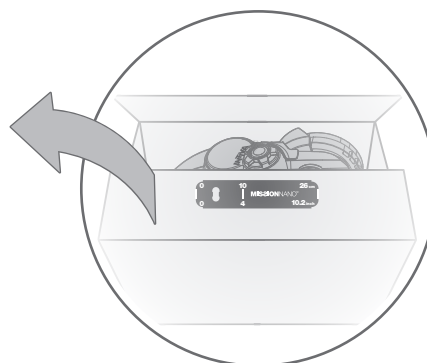
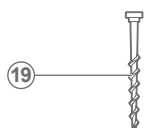
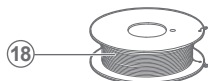
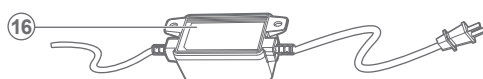
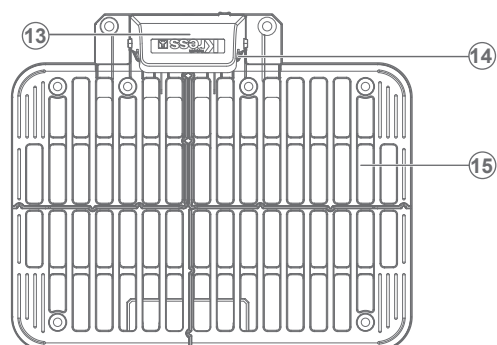
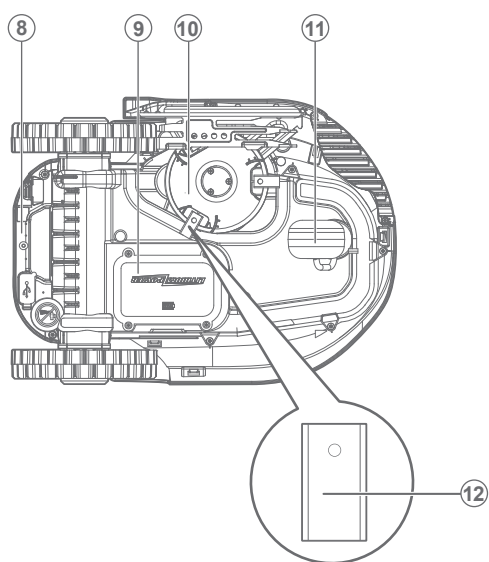
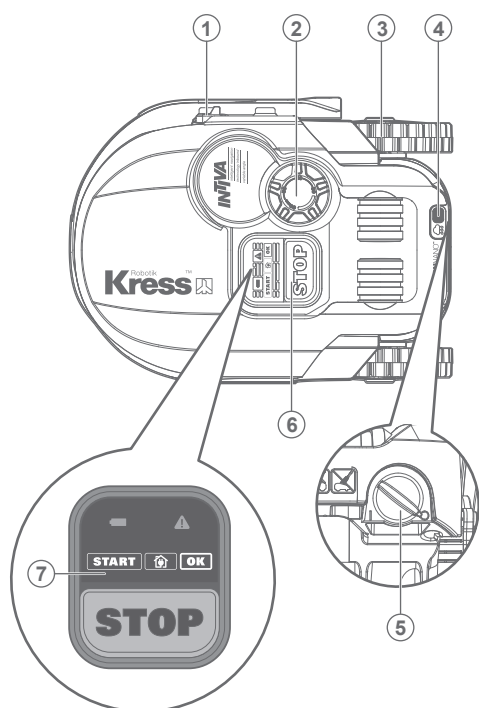


Nie utylizować baterii. Zwrócić wyczerpane baterie do lokalnego punktu recyklingu.



Nie spalać.

# Lista części



- |   |   |
|---|---|
| 1. Taśma Ładowania                        | 12. Ostrze Tnące                            |
| 2. Pokrętko Regulacji Wysokości Koszenia. | 13. Pokrywy Ochronnej                       |
| 3. Tylne Koło Napędowe                    | 14. Wtyki                                   |
| 4. Czujnik Deszczu                        | 15. Stacja Ładowania                        |
| 5. Przycisk On/Off (Wł./Wył.)             | 16. Zasilacz Sieciowy                       |
| 6. Przycisk Zatrzymania                   | 17. Szpilki Do Przewodów                    |
| 7. Panel Sterowania                       | 18. Przewód Graniczny                       |
| 8. Rączka                                 | 19. Śruby Mocujące Stacji Ładowania         |
| 9. Akumulator                             | 20. Miernik Odległości Przewodu Granicznego |
| 10. Tarcza Obrotowa Z Ostrzem             | 21. Klucz Imbusowy                          |
| 11. Przednie Koło                         | 22. Złącze                                  |


## Dane techniczne

Typ **KR100 (100-199 - oznaczenie maszyn zgodnych z robotem do koszenia trawy)**

Napięcie znamionowe	20V $\overline{=}$ Max.*
Prędkość na biegu jałowym	2800/min
Powierzchnia koszenia	600m <sup>2</sup>
Średnica koszenia	18cm
Wysokość koszenia	30-60mm
Pozycje wysokości koszenia	4
Typ akumulatora	Lithium-ion
Model akumulatora	KA0101
Czas ładowania Ok.	2godz.
Model ładowarki	KA0200 / KA0201
Moc znamionowa ładowarki	Wejściowa: 100-240V~50/60Hz, 38W, Wyjściowa: 20V, 1.5A
Masa urządzenia	8.8kg
Stopień ochrony	III
App	Y
Pasma częstotliwości wbudowanego modułu WLAN	2.412GHz-2.484GHz
Maks. wartość częstotliwości radiowej wbudowanego modułu WLAN	802.11b:+16±2dBm(@11Mbps) 802.11g:+14±2dBm(@54Mbps) 802.11n:+13±2dBm(@HT20,MCS7)

\* Napięcie mierzone bez obciążenia. Początkowe napięcie akumulatora osiąga maksymalną wartość 20V. Napięcie nominalne wynosi 18V.

# Hałas dane

Poziom ciśnienia akustycznego	$L_{pA} = 47.6 \text{ dB (A)}, K_{pA} = 3.0 \text{ dB(A)}$
Poziom mocy akustycznej	$L_{wA} = 67.6 \text{ dB (A)}, K_{wA} = 3.0 \text{ dB(A)}$
Należy stosować ochronę uszu w przypadku, gdy ciśnienie akustyczne przekracza wartość	80dB(A) 

Nie da się uniknąć pewnego hałasu wydawanego przez urządzenie. Przeprowadzanie hałaśliwych prac musi być objęte licencją i ograniczone w niektórych okresach. Należy zachować przerwy na odpoczynek oraz może zająć konieczność ograniczenia godzin pracy do minimum. W celu zapewnienia ochrony osobistej oraz ochrony osób pracujących w pobliżu, należy zastosować odpowiednią ochronę uszu.

## Akcesoria

Śrub	9
Stacja ładowania	1
Śruby mocujące stacji ładowania	8
Przewód graniczny o długości	150m
Szpilek mocujących przewodu	210
Klucz imbusowy	1
Miernik odległości przewodu granicznego	2
Ostrzy	9
Akumulator (KA0101)	1
Ładowarka (KA0200 / KA0201)	1
Złącze	2

Zalecamy nabywanie oryginalnych akcesoriów podanych powyżej z tego samego sklepu, w którym dokonano zakupu narzędzia. Dalsze szczegóły można znaleźć an opakowaniu akcesoriów. Pracownicy sklepu mogą służyć pomocą i radą.

## Użycie zgodne z przeznaczeniem

Niniejszy produkt przeznaczony jest do koszenia trawy w prywatnym zakresie. Jest przeznaczony do częstego koszenia, zapewniając zdrowszy i lepiej wyglądający trawnik niż kiedykolwiek wcześniej. W zależności od wielkości trawnika, robota MissionNANO™ można zaprogramować tak, aby pracował o dowolnej godzinie lub z dowolną częstotliwością. Urządzenie nie jest przeznaczone do prac wykopowych, zmiatania lub odgarniania śniegu.

## Konserwacja

Robot MissionNANO™ musi być okresowo sprawdzany. Robot MissionNANO™ pracuje ciężko i po pewnym czasie wymaga dokładnego czyszczenia, jak również wymiany części, które mogą ulec zużyciu. Zabrania się eksploatacji MissionNANO™ jeżeli wyłącznik On/off jest uszkodzony. Przed przystąpieniem do konserwacji lub prac serwisowych należy wyłączyć urządzenie. W tej części chcemy pokazać, w jaki sposób zadbać o swojego robota MissionNANO™.



# 1

## Zachowanie ostrości

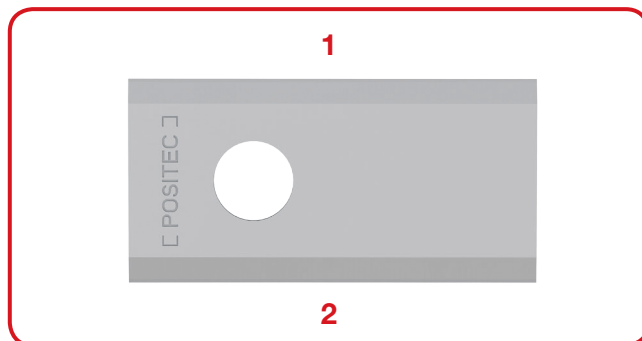


**OSTRZEŻENIE:** Przed przystąpieniem do regulacji lub wymiany ostrzy należy wyłączyć robota MissionNANO™ oraz należy włożyć rękawice ochronne.



**OSTRZEŻENIE: OSTRZEŻENIE!** Przy wymianie ostrzy na nowe, należy wymienić **WSZYSTKIE** ostrza. Do mocowania ostrzy zawsze używać nowych śrub. Ważne do zapewnienia ostrości i wyważenia tarczy tnącej. Jeśli nie zostaną użyte nowe śruby, może to doprowadzić do poważnych obrażeń.

Robot MissionNANO™ nie kosi trawy tak, jak inne kosiarki. Jego ostrza tnące są bardzo ostre na wszystkich 2 krawędziach i obracają się w obu kierunkach w celu uzyskania maksymalnej wydajności tnącej. Każde ostrze robota MissionNANO™ posiada 2 krawędzie tnące. Tarcza tnąca będzie wykonywać rotację w przód lub w tył w przypadkowej kolejności, aby były użyte obie strony ostrza. W ten sposób przyczynia się do zminimalizowania częstości wymiany ostrzy. W przypadku codziennego koszenia każde ostrze tnące wytrzyma do 2 miesięcy. Należy zawsze sprawdzać ostrza pod kątem złamań lub uszkodzeń oraz wymienić je w razie potrzeby. W momencie stępienia i zużycia ostrzy tnących powinny one zostać wymienione na ostrza zapasowe dostarczone wraz z robotem MissionNANO™. Zapasowe ostrza można nabyć również u najbliższego sprzedawcy sprzętu Kress.



### A. Wymiana ostrzy

Po pewnym czasie, zazwyczaj co sezon, należy wymienić ostrza robota MissionNANO™. Tak więc wymieniając ostrza należy upewnić się, by były one wymienione wszystkie w tym samym czasie. Można wymienić je przy użyciu jednego z zapasowych zestawów ostrzy oraz dodatkowych śrub do ich mocowania, dostarczonych wraz z robotem MissionNANO™.

Przed przystąpieniem do wymiany ostrzy w robocie MissionNANO™ należy wyłączyć zasilanie i włożyć rękawice ochronne. Następnie należy wykonać następujące kroki:

1. Delikatnie odwrócić robota MissionNANO™ do góry dnem.
2. Zdjąć pokrywę akumulatora i wyjąć akumulator.
3. Odkręcić śruby z ostrzy przy użyciu śrubokrętu.
4. Dokładnie dokręcić śruby na nowych ostrzach.
5. Ponownie włożyć akumulator i pokrywę.



**Ważne:** Po przykręceniu ostrza do tarczy ostrzy upewnić się, że ostrze obraca się swobodnie.

## 2

### Zachowanie czystości

**!** **OSTRZEŻENIE:** Przed przystąpieniem do czyszczenia należy wyłączyć robot MissionNANO™. Przed wyczyszczeniem tarczy tnącej włożyć rękawice ochronne i nie używać wody bieżącej.

#### A. Czyszczenie korpusu

Robot MissionNANO™ będzie miał dużo lepszą i większą żywotność, jeśli będzie czyszczony regularnie. Ponieważ robot MissionNANO™ jest urządzeniem elektrycznym, **należy zachować uwagę podczas jego czyszczenia i NIE używać węża, myjki ciśnieniowej lub nie wylewać bieżącej wody na robota MissionNANO™ w inny sposób.** Najlepiej użyć butelki spryskiwacza wypełnionej wodą. Korpus urządzenia należy czyścić przy użyciu miękkiej szczotki lub czystej szmatki oraz należy unikać używania rozpuszczalników lub środków do nadawania połysku. Należy też pamiętać o usunięciu wszystkich nagromadzonych resztek trawy i zanieczyszczeń.



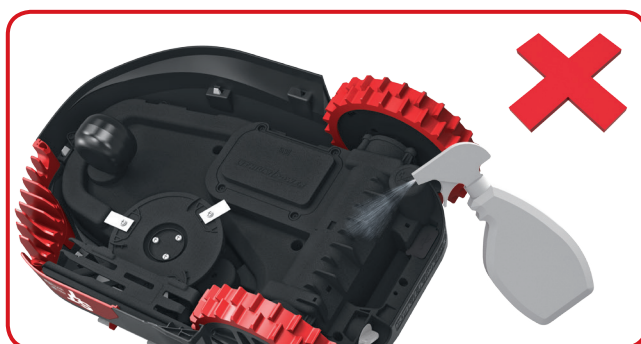
#### B. Czyszczenie spodniej części

Należy pamiętać o wyłączeniu robota MissionNANO™ oraz o włożeniu rękawic ochronnych przed dotknięciem tarczy tnącej. Najpierw należy odwrócić robota MissionNANO™ dnem do góry w celu uzyskania dostępu do spodniej części. Dzięki temu można zobaczyć tarczę tnącą, podwozie oraz przednie koło i koło napędowe. Wyczyścić wszystko dokładnie przy użyciu miękkiej szczotki lub wilgotnej szmatki.

**!** **OSTRZEŻENIE: ZABRANIA SIĘ stosowania strumienia wody do czyszczenia dolnej strony robota MissionNANO™.** Może nastąpić uszkodzenie części robota.

Obrócić tarczę tnącą w celu upewnienia się, że porusza się ona swobodnie. Upewnić się, że ostrza obracają się swobodnie wokół śrub mocujących. Usunąć wszelkie przeszkody.

**WAŻNE:** Usunąć wszelkie zgromadzone zabrudzenia, aby uniknąć pęknięcia tarczy ostrzy. Nawet najmniejsze pęknięcie może zmniejszyć wydajność koszenia robota MissionNANO™.



#### C. Czyszczenie styków i taśm ładowania

Wyczyścić wtyk znajdujący się na stacji ładowania oraz taśmę ładowania umieszczoną na robocie MissionNANO™ przy użyciu szmatki. Regularnie usuwać wszelkie nagromadzone ścinki trawy i zanieczyszczenia wokół wtyków oraz taśm ładowania w celu zapewnienia każdorazowego skutecznego ładowania robota MissionNANO™.



# 3

## Żywotność akumulatora

Sercem robota do koszenia trawy MissionNANO™ jest akumulator litowo-jonowy 20 v. W celu zapewnienia odpowiednich warunków przechowywania akumulatora należy upewnić się, że jest on w pełni naładowany i trzymany w chłodnym, suchym miejscu (-20 °C – 60 °C).

UWAGA: Zalecana temperatura robocza urządzenia Android® jest w zakresie 0 - 55 °C.

Żywotność robota do koszenia trawy MissionNANO™ zależy od różnych czynników, takich jak:

- Długość sezonu koszenia w danym regionie.
- Liczba godzin jaką robot MissionNANO™ kosi w ciągu dnia.
- Konserwacja akumulatora podczas magazynowania.

### MissionNANO™ może być ładowany ręcznie bez przewodu granicznego.

1. Podłączyć stację ładowania do odpowiedniego źródła zasilania. Kontrolka ładowania stacji będzie świecić w zielonym kolorze.
2. Ręcznie zadokować robota MissionNANO™ w stacji ładowania w momencie, gdy robot MissionNANO™ jest wyłączony.
3. Kontrolka stacji ładowania zmieni kolor z zielonego na czerwony. Robot MissionNANO™ rozpocznie ładowanie.



# 4

## Przechowywanie w okresie zimowym

Żywotność robota MissionNANO™ będzie dłuższa oraz będzie on w lepszym stanie, jeśli będzie przechowywany w okresie zimowym. Mimo, iż ciężko się w tym pogodzić, zalecamy przechowywanie robota MissionNANO™ w szopie lub garażu podczas zimy.

Przed przygotowaniem robota MissionNANO™ do zimowej hibernacji zalecamy:

- Dokładnie wyczyścić robota MissionNANO™
- Naładować akumulator do pełna
- Wyłączyć zasilanie

W celu maksymalizacji żywotności akumulatora zaleca się jego pełne naładowanie przed przystąpieniem do przechowywania na okres zimy.

**⚠ OSTRZEŻENIE: Dolną stronę robota MissionNANO™ chronić przed kontaktem z wodą.** ZABRANIA SIĘ składowania robota MissionNANO™, odwróconego dolną osłoną w górę na zewnątrz ponieważ występuje ryzyko przedostania się wody do wewnątrz urządzenia. Przewód graniczny można zostawić w ziemi, lecz jego końcówki muszą być chronione, np. umieszczone w puszcze ze smarem. Jeśli stacja ładowania pozostanie na czas zimy, należy zostawić podłączony przewód graniczny.

**UWAGA:** Po przywróceniu robota MissionNANO™ do pracy po okresie zimowym należy upewnić się, że taśmy ładowania i wtyki są czyste. W celu wyczyszczenia zaleca się zastosowanie drobnoziarnistego płótna szmerglowego. Korzystając z aplikacji, upewnij się, że ustawienie daty i godziny jest poprawne i wyślij MissionNANO™ z powrotem do tego, co lubi robić: koszenie.

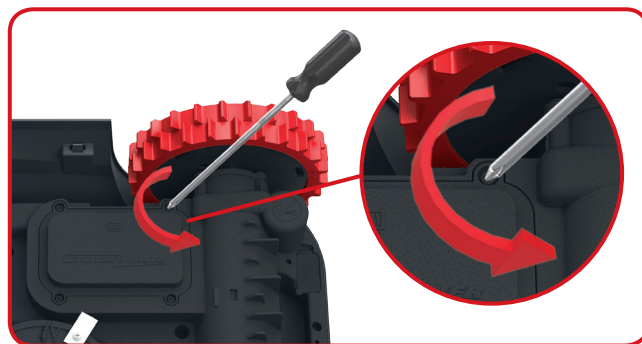
# 5

## Wymiana akumulatora

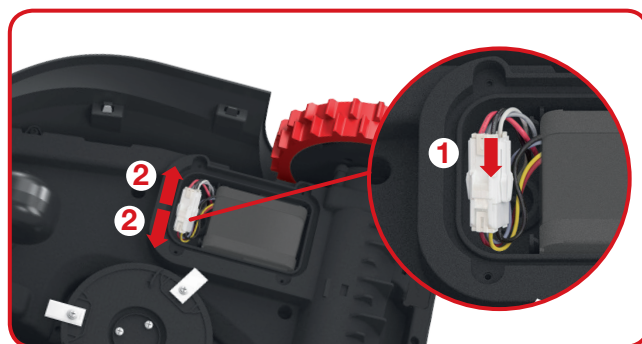
**⚠ OSTRZEŻENIE: Przed przystąpieniem do podłączeniem akcesoriów, wykonywaniem ustawień lub napraw należy wyłączyć urządzenie. Przed przystąpieniem do regulacji lub wymiany ostrzy należy wyłączyć robota MissionNANO™ oraz należy włożyć rękawice ochronne.**

W przypadku konieczności wymiany akumulatora należy wykonać następujące kroki:

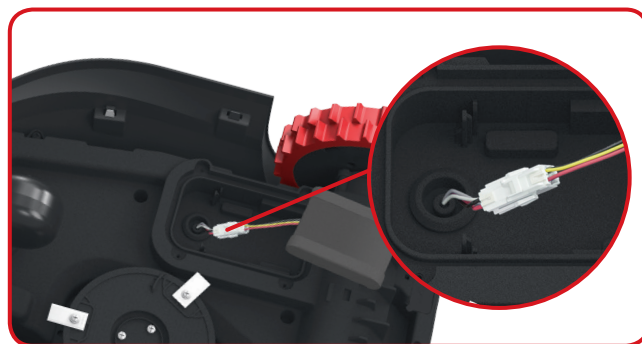
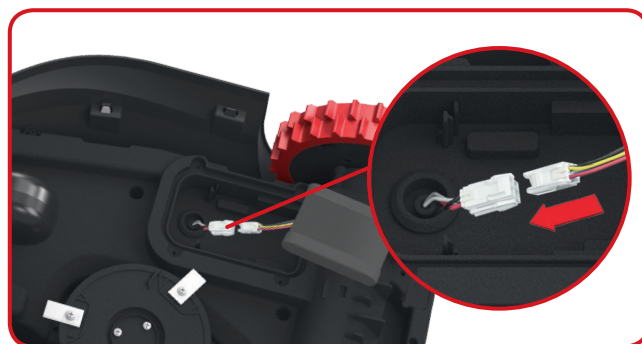
1. Delikatnie obrócić robota MissionNANO™ do góry dnem.
2. Odkręcić śruby pokrywy pojemnika akumulatora. Zdjąć pokrywę pojemnika.



3. Wyjąć zużyty akumulator. Nacisnąć zatrzask i uwolnić konektor.  
**UWAGA:** Nie ciągnąć za przewody. Przytrzymać za złącza i odłączyć konektor.



4. Podłączyć oryginalny nowy akumulator do konektora w jego prawidłowej pozycji.



5. Włożyć akumulator zgodnie z ilustracją. Ponownie umieścić pokrywę pojemnika na akumulatorze i delikatnie dokręcić śruby.




# Rozwiązywanie problemów

Jeśli robot MissionNANO™ nie pracuje w prawidłowy sposób, należy postępować zgodnie z poniższą instrukcją rozwiązywania problemów. Jeśli usterka będzie się utrzymywać, należy skontaktować się ze sprzedawcą.

Oznaka	Przyczyna	Działanie
Dioda LED na stacji ładowania nie włącza się.	Brak zasilania.	Upewnić się, że przewód zasilania jest prawidłowo podłączony do ładowarki, a ładowarka jest podłączona do odpowiedniego źródła zasilania.
Zielone światło migoczące na stacji ładowania.	Przewód graniczny nie jest podłączony.	Upewnić się, że przewód graniczny został prawidłowo podłączony do stacji ładowania. Upewnić się, że przewód graniczny nie jest przerwany, zwłaszcza na końcach drutu.
Robot MissionNANO™ znajduje się wewnątrz przestrzeni roboczej a przewód ograniczający jest podłączony. Kontrolka błędu pulsuje w czerwonym kolorze.	Zacisk styków przewodu granicznego jest nieprawidłowy.	Zamienić styki przewodu granicznego.
Robot MissionNANO™ nie może prawidłowo zadokować się w stacji ładowania.	Wpływ otoczenia.	Zrestartować robota MissionNANO™.
	Słabe połączenie spowodowane zanieczyszczeniami na taśmie ładowania.	Wyczyścić styki znajdujące się na stacji ładowania i taśmie ładowania robota MissionNANO™ przy użyciu szmatki.
Robot MissionNANO™ pracuje poza obszarem roboczym wyznaczonym przez przewód graniczny. Robot MissionNANO™ nie kosi obszaru w obrębie obszaru wyznaczonego przez przewód graniczny. Robot MissionNANO™ wycofuje się lub obraca błędnie w pobliżu przewodu granicznego.	Przewód graniczny innego robota MissionNANO™ lub robota do koszenia trawy innej firmy jest umieszczony zbyt blisko.	Upewnić się, że przewód graniczny robota MissionNANO™ znajduje się co najmniej 1m od sąsiadującego przewodu granicznego.
	Przewód graniczny został zamocowany z ostrymi narożami.	Sprawdzić przewód graniczny w celu upewnienia się, że naroża są gładkie.
	W mokrych warunkach sygnał elektryczny przewodu granicznego może upływać w miejscach łączenia lub naprawy przewodu granicznego.	Sprawdzić połączenia przewodu granicznego. Zaizolować w celu zapewnienia w pełni wodoszczelnego połączenia.
	Ze względu na przerwana izolację występuje upływ sygnału elektrycznego przewodu granicznego.	Naprawić zniszczoną izolację przewodu ograniczającego z wtyczką.
	Obszar cięcia jest większy niż dopuszczalny obszar cięcia dla robota MissionNANO™.	Zmniejszyć obszar koszenia.
Robot MissionNANO™ wyjeżdża poza przewód graniczny ze względu na nadmierną prędkość podczas jazdy z górki.	Przewód graniczny umieszczony na zboczu o nachyleniu powyżej 17% (10°).	Przenieść przewód graniczny w miejsca o nachyleniu nie większym od 17% (10°).

# Zasady ochrony środowiska

 Odpady wyrobów elektrycznych nie powinny być wyrzucane razem z odpadami gospodarstwa domowego. Należy korzystać z recyklingu, jeśli istnieje odpowiednia infrastruktura. Porady dotyczące recyklingu można uzyskać u władz lokalnych lub sprzedawcy detalicznego.

## Deklaracja zgodności

My niżej podpisani,  
Positec Germany GmbH  
Grüner Weg 10, 50825 Cologne, Germany

Niniejszym oświadczamy, że produkt,  
Opis **Robot do koszenia trawy**  
Typ **KR100 (100-199 - oznaczenie maszyn zgodnych z robotem do koszenia trawy)**  
**(Rok, miesiąc produkcji oraz numer fabryczny produktu podano na tabliczce umieszczonej na tylnej obudowie kosiarki. Pełny numer fabryczny znajduje się na obudowie kosiarki) z ładowarkę akumulatora KA0200 / KA0201 i bazą ładowania KA0070**  
Funkcja **Koszenie trawy**

Jest zgodny z poniższymi dyrektywami,  
**2006/42/EC, 2014/30/EU, 2014/35/EU, 2011/65/EU, 2000/14/EC zmieniona dyrektywą 2005/88/EC, 2014/53/EU**

86

PI

2000/14/EC zmieniona dyrektywą 2005/88/EC

- Procedura oceny zgodności zgodnie z **Annex V**
- Zmierzony poziom mocy akustycznej **67.6 dB (A)**
- Deklarowany gwarantowany poziom mocy akustycznej **68 dB (A)**

Standardy zgodne z,  
**EN 60335-1:2012+A11:2014, EN 50636-2-107:2015, EN 60335-2-29:2004+A2:2010, EN 62233:2008, EN ISO 3744:2005, EN 55014-1:2006+A1:2009+A2:2011, EN 61000-3-2:2014, EN 61000-3-3:2013, EN 55014-2:2015, EN 61558-1:2005+A1:2009, EN 61558-2-16:2009+A1:2013, EN 300 328 V2.1.1, EN 301 489-1 V2.1.1, EN 301 489-17 V3.1.1, EN 62311:2008**

Osoba upoważniona do sporządzenia dokumentacji technicznej,

**Imię i nazwisko Marcel Filz**

**Adres Positec Germany GmbH, Grüner Weg 10, 50825 Cologne, Germany**



2018/02/09

Allen Ding

Zastępca głównego inżyniera, testowanie i certyfikacja

Positec Technology (China) Co., Ltd.

18, Dongwang Road, Suzhou Industrial

Park, Jiangsu 215123, P. R. China

# Bezpečnost výrobku

## Základní a doplňkové bezpečnostní pokyny



### **VAROVÁNÍ: Přečtěte si všechny bezpečnostní pokyny a instrukce.**

Nedodržení bezpečnostních varování a pokynů může vést k úrazu elektrickým proudem, k vzniku požáru nebo k vážnému úrazu.

**Pečlivě si přečtěte všechny pokyny týkající bezpečného použití tohoto zařízení.**

**Všechna varování a bezpečnostní pokyny uschovejte pro budoucí použití.**

- Toto zařízení není určeno k použití osobami (včetně dětí) se sníženými fyzickými, smyslovými nebo duševními schopnostmi, s nedostatkem zkušeností a znalostí, pokud těmto osobám nebyl stanoven dohled, nebo pokud jim nebyly poskytnuty instrukce týkající se použití tohoto zařízení osobou odpovědnou za jejich bezpečnost.
- Děti musí být pod dozorem, aby bylo zajištěno, že si s tímto zařízením nebudou hrát.
- Toto zařízení může být napájeno pouze napájecí jednotkou, která je dodána společně se zařízením.

## **DŮLEŽITÉ**

### **PŘED POUŽITÍM POZORNĚ PŘEČTĚTE ULOŽTE PRO BUDOUCÍ POUŽITÍ**

#### **Postupy týkající se bezpečného použití Zaškolení**

- a) Pečlivě si prostudujte všechny pokyny. Ujistěte se, zda jste zcela pochopili uvedené pokyny a seznamte se s ovládacími prvky a se správným použitím tohoto zařízení.
- b) Nikdy nedovolte, aby toto zařízení používaly osoby, které nejsou seznámeny s těmito pokyny. Místní předpisy mohou omezovat věk uživatele.
- c) Za nehody nebo rizika hrozící ostatním osobám nebo jejich majetku odpovídá obsluha nebo uživatel.

#### **Příprava**

- a) Zajistěte správnou instalaci vymezovacího drátu podle uvedených pokynů.
- b) Provádějte pravidelnou kontrolu prostoru, kde bude toto zařízení použito a odstraňte všechny kameny, klacíky, dráty, kosti a další cizí předměty.
- c) Provádějte pravidelnou vizuální kontrolu, zda nedošlo k opotřebování nebo poškození nožů, montážních šroubů nožů a celého sekacího

ústrojí. Opotřebované nebo poškozené nože a šrouby vyměňujte vždy jako sady, abyste uchovali správné vyvážení.

- d) U zařízení, která jsou vybavena více vřeteny, dávejte pozor, protože otáčení jednoho vřetena může způsobit otáčení dalších vřeten.
- e) **VAROVÁNÍ!** Tato sekačka nebude pracovat, nebude-li na svém místě její kryt.

## **Použití**

### **1. Základní pokyny**

- a) Nikdy nepracujte s tímto zařízením, jsou-li poškozeny jeho ochranné kryty nebo nejsou-li na určených místech bezpečnostními prvky, například odchylovače.
- b) Nevkládejte ruce nebo chodidla do blízkosti nebo pod rotující díly. Stále udržujte průchozí výstupní otvor sekačky průchozí.
- c) Nikdy toto zařízení nezvedejte nebo nepřenášejte, je-li jeho motor v chodu.
- d) Vyjměte blokovací zařízení ze sekačky.
  - Před odstraněním zablokování;
  - Před kontrolou, čištěním nebo prováděním prací na sekačce.
- e) Provádění úprav originální konstrukce této robotické sekačky není povoleno. Všechny úpravy jsou prováděny na vaše vlastní riziko.
- f) Spouštějte robotickou sekačku podle uvedených pokynů. Nikdy nevklaďte vaše ruce a nohy pod sekačku.
- g) Nedovolte, aby tuto robotickou sekačku používaly osoby, které neví, jak pracuje a jak reaguje.
- h) Nikdy nepokládejte na horní část sekačky nebo nabíjecí základny žádné předměty.
- i) Nepovolte používání robotické sekačky, došlo-li k jejímu poškození nebo k poškození nožového kotouče. Sekačka nesmí být také použita s poškozenými noži, šrouby, maticemi nebo napájecím kabelem.
- j) Nemáte-li v úmyslu tuto sekačku používat, vždy ji vypněte.
- k) Ruce a chodidla držte v bezpečné vzdálenosti od rotujících čepelí. Nikdy nedávejte ruce ani chodidla do blízkosti sekačky nebo pod ni, pokud je robotická sekačka v provozu.
- l) Nepoužívejte stroj a jeho periferní zařízení za nepříznivých povětrnostních podmínek, zejména pokud hrozí nebezpečí blesku.
- m) Nedotýkejte se pohyblivých nebezpečných částí dřívě, než se zcela zastaví.

### **2. Pracuje-li tato sekačka v automatickém režimu**

- a) Jsou-li v blízkosti domácí zvířata, děti nebo jiné osoby, nikdy nenechávejte tuto sekačku bez dozoru.

## Údržba a uložení



**VAROVÁNÍ! Je-li sekačka zastavena z důvodu provádění údržby, kontroly nebo uložení, nebo z důvodu výměny nožů, vyjměte ze sekačky klíček a ujistěte se, zda došlo k úplnému zastavení nožů.**

- Udržujte všechny matice, šrouby a spojovací prvky řádně dotaženy, aby bylo zařízení v bezpečném provozním stavu.
- Provádějte kontrolu této robotické sekačky každý týden a vyměňte opotřebované nebo poškozené části související s bezpečností.
- Provádějte zejména kontrolu, zda nejsou poškozeny nože a nožový kotouč. Je-li to nutné, vždy vyměňujte všechny nože a šrouby současně jako jednu sadu, aby bylo zajištěno vyvážení rotujících dílů.
- Zajistěte, aby byly používány pouze náhradní díly správného typu.
- Zajistěte, aby byly baterie sekačky nabíjeny pomocí správné nabíječky doporučené výrobcem. Nesprávné použití může vést k úrazu elektrickým proudem, přehřátí baterie nebo k únikům žíravé kapaliny z baterie.
- Dojde-li k úniku elektrolytu z baterie, opláchněte si ruce vodou/neutralizačním prostředkem. Dojde-li ke kontaktu s pokožkou nebo k zasažení očí, vyhledejte lékařské ošetření.
- Údržba sekačky musí být prováděna podle pokynů výrobce.

## Doporučení

Stroj a jeho periferie připojujte pouze k napájecímu obvodu s ochranným zařízením před zbytkovým proudem (RCD) s vypínacím proudem nepřesahujícím 30 mA.

## Ostatní rizika

Abyste se vyhnuli zranění, při výměně nožů používejte ochranné rukavice.

## Přeprava

Při přepravě této robotické sekačky na dlouhé vzdálenosti vždy používejte její originální obal. Zajištění bezpečného sekání nebo sekání uvnitř pracovního prostoru:

- Stiskněte tlačítko STOP, aby došlo k zastavení sekačky.
- Vždy tuto robotickou sekačku zastavte, máte-li v úmyslu ji přenášet.
- Přenášejte tuto sekačku za rukojeť nacházející se na zadní spodní části sekačky. Přenášejte tuto sekačku tak, aby byl nožový kotouč otočen směrem od vašeho těla.

## Bezpečnostní pokyny týkající se baterie uvnitř náradí

- Nepokoušejte se demontovat, rozebírat nebo rozřezávat baterie nebo její články.
- Neprovádějte zkratování baterie. Neukládejte baterie nahodile v krabicích nebo v zásuvkách, kde by mohlo dojít k jejich vzájemnému zkratování nebo k zkratování způsobenému jinými předměty. Není-li baterie používána, udržujte ji v bezpečné vzdálenosti od sponek na papíry, mincí, klíčů, hřebíků, šroubů nebo jiných malých kovových předmětů, které mohou způsobit propojení kontaktů baterie. Zkratování kontaktů baterie může způsobit popáleniny nebo požár.
- Nevystavujte baterii působení horka nebo ohně. Vyvarujte se skladování baterií na přímém slunci.
- Nevystavujte baterii mechanickým nárazům.
- Dojde-li k úniku kapaliny z baterie, zabraňte tomu, aby se tato kapalina dostala do kontaktu s pokožkou nebo aby zasáhla oči. Dojde-li k takovému kontaktu, zasažené místo omyjte značným množstvím vody a vyhledejte lékařské ošetření.
- Dojde-li k požití kapaliny z baterie, vyhledejte okamžitě lékařskou pomoc.
- Udržujte baterie čisté a suché.
- Baterie poskytuje nejvyšší výkon, je-li používána při běžné pokojové teplotě (20 °C ± 5 °C).
- Při likvidaci baterií oddělte od sebe baterie s odlišnými elektrochemickými systémy.
- Provádějte nabíjení pouze v nabíječce, která je specifikovaná společností Kress. Nepoužívejte jinou nabíječku, než je nabíječka speciálně dodaná pro použití s tímto zařízením. Nabíječka, která je vhodná pro jeden typ baterie, může při použití jiného typu baterie vytvářet riziko způsobení požáru.
- Nepoužívejte žádnou baterii, která není určena pro použití s tímto zařízením.
- Ukládejte baterie mimo dosah dětí.
- Uchovejte originální dokumentaci k tomuto výrobku pro budoucí odkazy.
- Provádějte řádnou likvidaci baterie.



# Symbols



**VAROVÁNÍ** – Není-li tato robotická sekačka používána správně, může být nebezpečná. Před použitím této robotické sekačky si pečlivě přečtěte návod k obsluze a řádně si nastudujte jeho obsah.



**VAROVÁNÍ** - Je-li tato sekačka v provozu, udržujte od ní bezpečnou vzdálenost.



**VAROVÁNÍ** – Před zahájením práce na sekačce nebo před jejím zvednutím vyjměte blokovací zařízení.



**VAROVÁNÍ** – Nejezděte na této sekačce.



Elektrický spotřebič třídy III



Nepotřebné elektrické přístroje by nemily být vyhazovány společně s odpadem z domácnosti. Nářadí recyklujte ve sbírnách zřízených k tomuto účelu. O možnostech recyklace se informujte na místních úřadech nebo u prodejce.



Baterie nevyhazujte do komunálního odpadu. Odevzdejte je do sběrů pro likvidaci (recyklaci) speciálního odpadu.



Nevystavujte působení ohně.

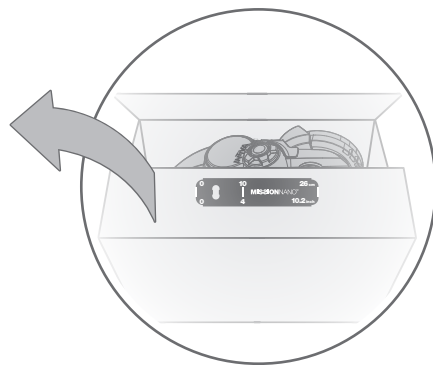
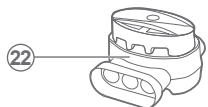
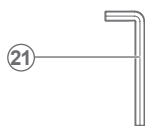
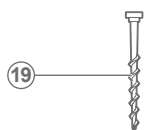
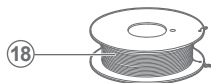
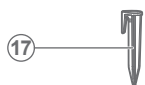
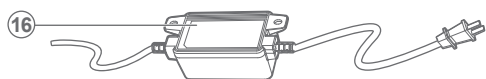
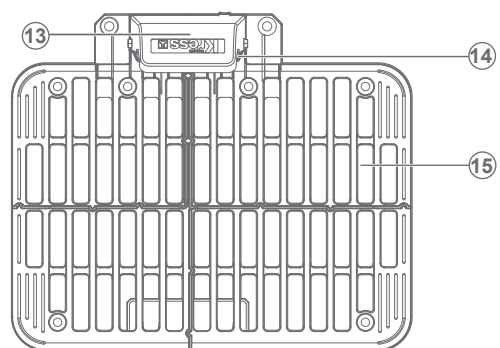
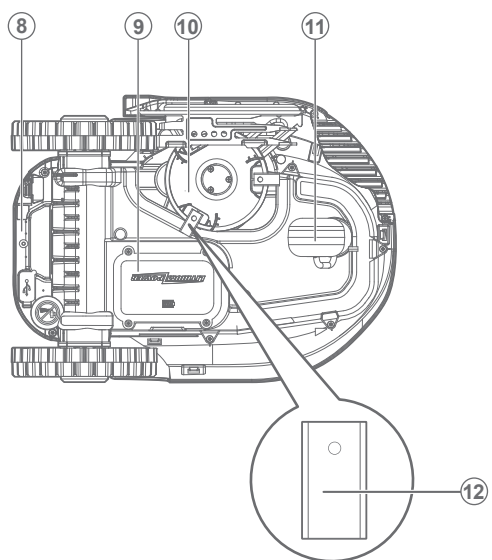
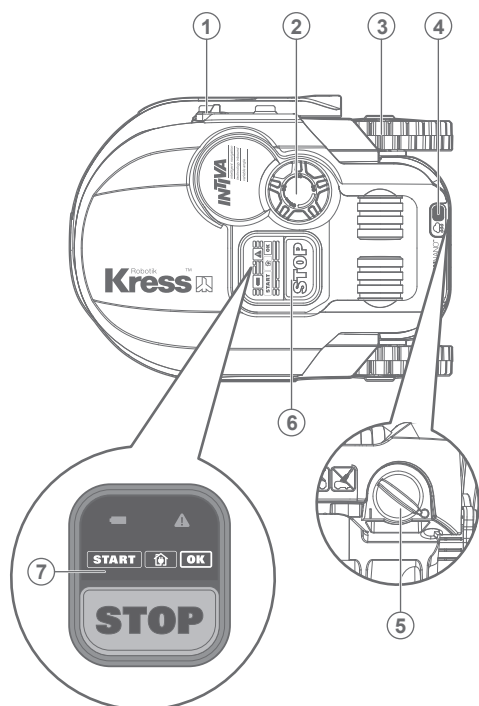


Nevystavujte dešti nebo vodě.



Nepoužívejte pro omývání této sekačky vysokotlakou myčku.

# Seznam dílů



- |                             |  |
|-----------------------------|--|
| 1. Nabíjecí Pásek           | 12. Nůž                                    |
| 2. Seřizovač Výšky Sekání   | 13. Ochranného Krytu                       |
| 3. Zadní Hnací Kolečko      | 14. Kontaktní Kolíky                       |
| 4. Dešťový Senzor           | 15. Nabíjecí Základna                      |
| 5. Tlačítko Zapnuto/Vypnuto | 16. Napájecí Adaptér                       |
| 6. Tlačítko Stop            | 17. Drátěné Kolíky                         |
| 7. Ovládací Panel           | 18. Vymezovací Drát                        |
| 8. Rukojeť                  | 19. Upevňovací Kolíky Nabíjecí Základny    |
| 9. Baterie                  | 20. Měřidlo Vzdálenosti Vymezovacího Drátu |
| 10. Nožový Kotouč           | 21. Šestihranný Klíč                       |
| 11. Přední Kolečko          | 22. Spojovací Konektor                     |


## Technické údaje

Typ **KR100 (100-199 - označení strojního zařízení, zástupce robotická sekačka)**

Jmenovité napájecí napětí	20V $\overline{=}$ Max.*
Otáčky naprázdno	2800/min
Oblast sečení	600m <sup>2</sup>
Šířka záběru	18cm
Výška sekání	30-60mm
Polohy pro nastavení výšky sekání	4
Typ baterie	Lithium-ion
Model baterie	KA0101
Doba nabíjení asi	2hod
Model nabíječky	KA0200 / KA0201
Parametry nabíječky	Vstup: 100-240V~50/60Hz, 38W, Výstup: 20V, 1.5A
Hmotnost	8.8kg
Stupeň ochrany	III
Aplikace	Y
Frekvenční pásmo integrovaného modulu WLAN	2.412GHz-2.484GHz
Max. vysokofrekvenční výkon vestavěného modulu WLAN	802.11b:+16±2dBm(@11Mbps) 802.11g:+14±2dBm(@54Mbps) 802.11n:+13±2dBm(@HT20,MCS7)

\* Napětí měřené bez pracovního zatížení. Výchozí napájecí napětí baterie dosahuje maximálně 20V. Jmenovité napájecí napětí je 18V.

# Údaje týkající se úrovně hluku

Měřená hodnota akustického tlaku	$L_{pA} = 47.6 \text{ dB (A)}, K_{pA} = 3.0 \text{ dB(A)}$
Měřená hodnota akustického výkonu	$L_{wA} = 67.6 \text{ dB (A)}, K_{wA} = 3.0 \text{ dB(A)}$
Používejte ochranu sluchu, přesáhne-li hodnota akustického tlaku úroveň	80dB(A) 

Určité hlučnosti stroje nelze zabránit. Provádění hlučné práce na dané trase musí být s omezením na určitou dobu schváleno. Dodržujte doby odpočinku a nutné omezení pracovní doby na minimum. S ohledem na osobní ochranu a ochranu osob pracujících v blízkosti by měla být u všech používána vhodná ochrana sluchu.

## Příslušenství

Šroubů	9
Nabíjecí základna	1
Upevňovací kolíky pro nabíjecí základnu	8
Vymezovacího drátu	150m
Kolíků pro vymezovací drát	210
Imbusový klíč	1
Ukazatele vzdálenosti vymezovacího drátu	2
<b>92</b> Nožů	9
<b>Cz</b> Akumulátor (KA0101)	1
Nabíječka baterií (KA0200 / KA0201)	1
Spojovací konektor	2

Doporučujeme vám, abyste si příslušenství zakoupili ve stejné prodejně, ve které jste pořídili i vaše nářadí. Podrobné informace najdete na obalu příslušenství. Případně se obraťte na vašeho prodejce se žádostí o radu a pomoc.

## Určené použití

Tento výrobek je určen pro sečení trávníků na soukromých pozemcích. Je navržen pro časté sečení, kdy bude trávník udržován zdravější a vypadající lépe, než kdykoliv dříve. V závislosti na rozloze vašeho trávniku může být MissionNANO™ naprogramován tak, aby četnost a doba provozu nebyla ničím omezena. Zařízení není určeno pro kopání, zametání nebo čištění sněhu.

## Údržba

Vaše sekačka MissionNANO™ musí být občas zkontrolována. Práce sekačky MissionNANO™ je náročná a občas musí být provedeno její vyčištění a také výměna některých dílů, které mohou být opotřebovány. Nikdy nepoužívejte tuto MissionNANO™, je-li poškozen její spínač zapnuto/vypnuto. Před prováděním jakékoli údržby nebo servisu proveďte vypnutí tohoto zařízení. V následujícím textu vám chceme poskytnout informace o tom, jak provádět údržbu vaší sekačky MissionNANO™.

# 1

## Udržujte ostré nože sekačky

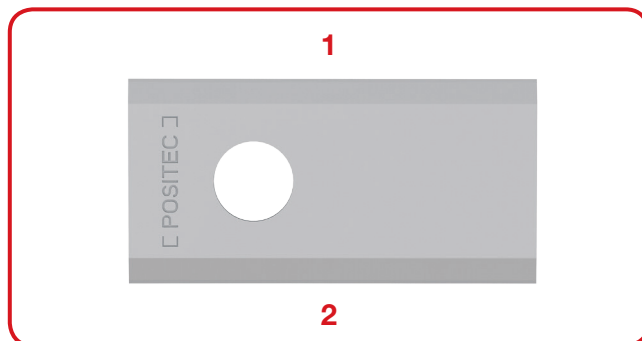


**VAROVÁNÍ: Před čištěním, seřizením nebo před výměnou nožů váš MissionNANO™ VYPNĚTE a nasad'te si ochranné rukavice.**



**VAROVÁNÍ: Budete-li montovat nové nože, zajistěte, aby byly vždy vyměněny VŠECHNY nože. Při montáži nových nožů vždy používejte nové šrouby. To je důležité k zajištění trvalého ostří nožů a rovnováhu rotačního kotouče s noži. Nebudou-li použity nové šrouby, mohlo by dojít k způsobení vážného zranění.**

Sekačka MissionNANO™ neseká trávu jako ostatní sekačky. Její nože jsou ostré jako břitva na všech 2 hranách a z důvodu dosažení maximálního řezného výkonu rotují v obou směrech. Každý nůž vaší sekačky MissionNANO™ má 2 řezné hrany. Nožový kotouč se bude náhodně otáčet směrem dopředu a dozadu a bude využívat obě sekací hrany. Tím bude minimalizována četnost výměn řezných čepelí. Životnost každého nože při každodenním sekání je až 2 měsíce. Vždy provádějte vizuální kontrolu, nejsou-li nože odštipnuty nebo jinak poškozeny. Jsou-li nože tupé a opotřebované, měly by být nahrazeny novými noži, které jsou dodány s vaší sekačkou MissionNANO™. Náhradní nože jsou k dispozici také u nejbližšího autorizovaného prodejce Kress.

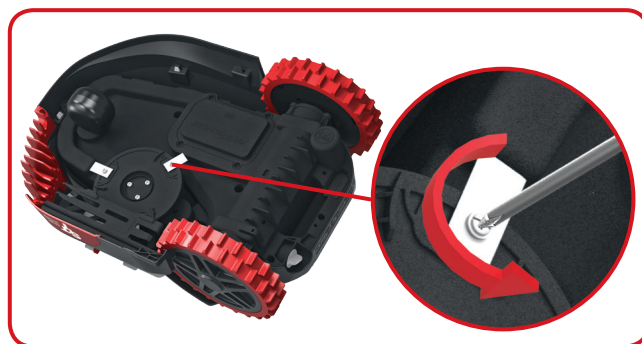


### A. Výměna nožů

Po určité době, obvykle po každé sezóně, bude u vaší sekačky MissionNANO™ nutné provedení výměny nožů. Proto se při výměně nožů ujistěte, zda jsou vyměněny všechny nože současně. Při výměně můžete použít jednu ze sad náhradních nožů a šroubů, které jsou dodávány společně s vaší sekačkou MissionNANO™.

Před prováděním výměny nožů sekačku MissionNANO™ vždy vypněte a použijte ochranné rukavice. Potom postupujte podle následujících kroků:

1. Opatrně sekačku MissionNANO™ obraťte.
2. Sejměte kryt baterie a vyjměte baterii.
3. Pomocí šroubováku vyšroubujte šrouby upevňující nože.
4. Řádně upevněte nové nože pomocí nových šroubů.
5. Vložte zpět baterii a zavřete kryt baterie.



**Důležité: Po upevnění nožů k nožovému kotouči pomocí šroubů se ujistěte, zda se nožový kotouč může volně otáčet.**

# 2

## Udržujte sekačku v čistotě



**VAROVÁNÍ: Před čištěním váš MissionNANO™ VYPNĚTE. Před čištěním nožového kotouče si nasad'te ochranné rukavice a nepoužívejte proud vody.**

## A. Čištění krytu sekačky

Vaše sekačka MissionNANO™ bude mnohem lépe pracovat a bude mít delší provozní životnost, bude-li pravidelně prováděno její čištění. I když je vaše sekačka MissionNANO™ elektrické zařízení, budete muset být při čištění velmi opatrní, **proto při čištění sekačky MissionNANO™ nepoužívejte hadici, vysokotlaké myčky nebo jiný zdroj tekoucí vody.**

Nejlepším řešením je použití ručního postřikovače naplněného vodou. Při čištění krytu této sekačky používejte měkký kartáč nebo čistý hadr a vyvarujte se použití rozpouštědel nebo leštidel. Nakonec zkontrolujte, zda jste odstranili všechny zbytky nahromaděné posekané trávy a jiné nečistoty.



## B. Čištění spodní části sekačky

Opět je velmi důležité, abyste vaši sekačku MissionNANO™ vypnuli pomocí tlačítka zapnuto/vypnuto a **abyste si před manipulací s nožovým kotoučem nasadili ochranné rukavice.**

Nejdříve otočte sekačku MissionNANO™ spodní stranou nahoru, aby byl vidět podvozek. Zde můžete vidět nožový kotouč, podvozek, přední kolečka a hnací kolečka. Vše kompletně očistěte pomocí měkkého kartáče nebo vlhkého hadru.

94

Cz

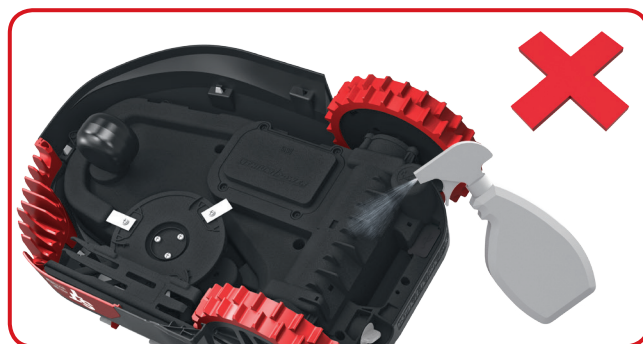


**VAROVÁNÍ: NIKDY nečistěte spodní část sekačky**

**MissionNANO™ oplachováním vodou.**

Mohlo by dojít k poškození komponentů sekačky. Otočte žací kotoučem, abyste se ujistili, zda se volně otáčí. Zkontrolujte, zda se nože volně otáčejí okolo přídržných šroubů. Jakékoliv překážky odstraňte.

**DŮLEŽITÉ:** Odstraňte všechny zachycené nečistoty, aby nemohly způsobit prasknutí nožového kotouče. Dokonce i ta nejtenčí prasklina může snížit provozní výkon vaší sekačky MissionNANO™.



## C. Čištění kontaktních kolíků a nabíjecích pásků

Wyczyścić wtyk znajdujący się na stacji ładowania oraz taśmę ładowania umieszczoną na robocie MissionNANO™ przy użyciu szmatki. Regularnie usuwać wszelkie nagromadzone ścinki trawy i zanieczyszczenia wokół wtyków oraz taśm ładowania w celu zapewnienia każdorazowego skutecznego ładowania robota MissionNANO™.

# 3

## Životnost baterie

Srdcem sekačky MissionNANO™ je jeho baterie Li-Ion s napájecím napětím 20 V. Chcete-li ujistit správné uložení baterie, zajistěte, aby byla zcela nabita a uložte ji na chladném a suchém místě s teplotou v rozsahu -20 až 60 °C.

**POZNÁMKA :** Doporučená provozní teplota sekačky MissionNANO™ je v rozmezí 0-55 °C.

Provozní životnost baterie sekačky MissionNANO™ závisí na různých faktorech, jako jsou:

- Doba trvání sezóny sekání ve vašem regionu
- Počet hodin, kdy bude sekačka MissionNANO™ každý den provádět sekání
- Údržba baterie během uložení

Sekačka MissionNANO™ může být nabíjena ručně bez použití vymezovacího drátu.

1. Připojte nabíjecí základnu k vhodnému napájecímu zdroji. Rozsvítí se zelená kontrolka nabíjecí základny.
2. Ručně umístěte sekačku MissionNANO™, která je vypnuta, do nabíjecí základny.
3. Zelená kontrolka nabíjecí základny začne svítit červeně. Sekačka MissionNANO™ se začne nabíjet.



# 4

## Uložení v zimě

Provozní životnost sekačky MissionNANO™ bude delší, zajistíte-li v zimním období její kvalitní uložení. Přestože to nemusí být jednoduché, doporučujeme vám, abyste v zimním období uložili sekačku MissionNANO™ v kůlně nebo v garáži.

Před přípravou vaší sekačky MissionNANO™ na uložení v zimní sezóně vám doporučujeme:

- Očistěte celou sekačku MissionNANO™
- Nabijte zcela baterii
- Proveďte vypnutí

Před uložení v zimní sezóně vám doporučujeme nabít baterii na maximální kapacitu, aby byla maximalizována její provozní životnost.

**VAROVÁNÍ:** **Chraňte spodní část sekačky MissionNANO™ před kontaktem s vodou. NIKDY sekačku MissionNANO™ neukládejte venku spodní stranou nahoru, aby nemohlo dojít ke kontaktu s vodou.**

Vymezovací drát může být ponechán v zemi, ale jeho koncové části musí být chráněny, například zasunutím do nádoby s mazivem. Je-li nabíjecí základna ponechána v zimním období venku, nechejte vymezovací dráty připojeny k této základně.

**POZNÁMKA:** Před opětovným uvedením sekačky MissionNANO™ do provozu po ukončení zimní sezóny se ujistěte, zda jsou nabíjecí pásy a kontaktní kolíky čisté. Při čištění vám doporučujeme používat jemný smrkový papír. Použijte aplikaci, ujistěte se, že datum a čas jsou správně nastaveny a odešlete MissionNANO™ zpět těm, co mají sečení rádi.

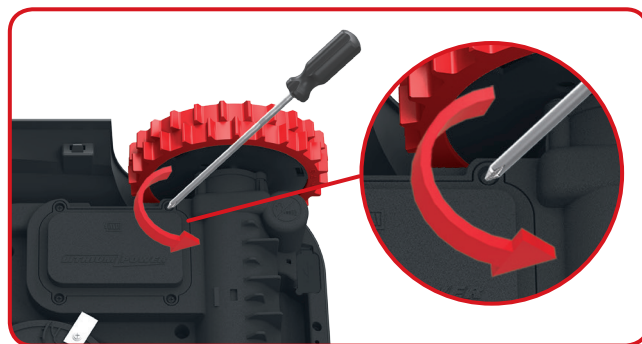
# 5

## Výměna baterie

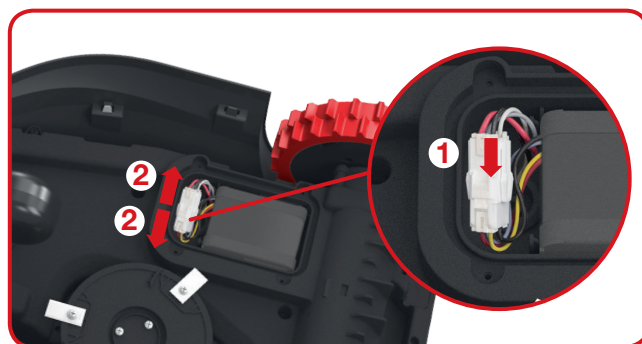
**VAROVÁNÍ:** **Před jakýmkoli seřízením, výměnou nebo opravou proveďte odpojení napájení. Před výměnou nožů váš MissionNANO™ VYPNĚTE a nasadte si ochranné rukavice.**

Chcete-li provést výměnu baterie, postupujte podle následujících kroků:

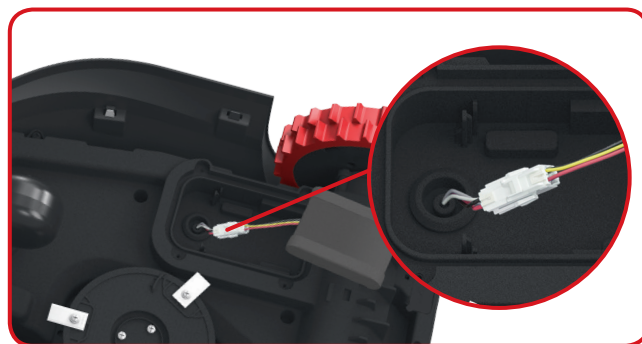
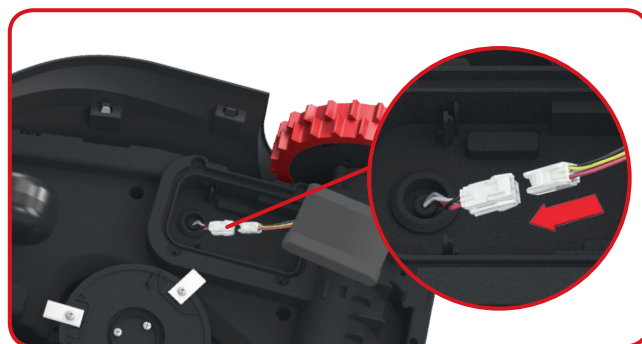
1. Opatrně obraťte sekačku MissionNANO™ spodní stranou nahoru.
2. Vyšroubujte šrouby nacházející se na krytu baterie. Sejměte kryt baterie.



3. Opatrně vytáhněte nahoru starou baterii. Stiskněte západku a uvolněte konektory. Jte za kabely. Držte konektory a uvolněte západky.



4. Připojte novou originální baterii řádným upevněním konektorů, které musí být zajištěny v určené poloze.



5. Baterii vložte podle obrázku. Nasad'te na původní místo kryt baterie a pevně utáhněte šrouby.






# Řešení potíží s instalací

Nepracuje-li vaše sekačka MissionNANO™ správně, postupujte podle níže uvedených pokynů pro odstraňování závad. Jestliže problémy stále přetrvávají, kontaktujte autorizovaného prodejce.

Příznak	Příčina	Řešení
LED kontrolka na nabíjecí stanici se nerozsvítí.	Sekačka není napájena.	Zkontrolujte, zda je napájecí kabel řádně připojen k nabíječce a zda je nabíječka připojena ke vhodnému napájecímu zdroji.
Na nabíjecí základně bliká zelená kontrolka.	Není připojen vymešovací vodič drát.	Zkontrolujte, zda je vymešovací drát správně připojen k nabíjecí základně. Zkontrolujte, zda nejsou ve vymešovacím drátu trhliny, zejména na koncích vodiče.
Sekačka MissionNANO™ je uvnitř pracovního prostoru a vymešovací drát je připojen. Kontrolka závad bliká červeně.	Krajní konce vymešovacích drátů jsou nesprávně připojeny.	Konce vymešovacích drátů připojte naopak.
Sekačka MissionNANO™ nemůže správně zaparkovat v nabíjecí základně.	Vlivy prostředí.	Znovu spusťte sekačku MissionNANO™.
	Špatné spojení způsobené nečistotami na nabíjecím pásku.	Pomocí vhodného hadru očistěte kontaktní kolíky nacházející se na nabíjecí základně a nabíjecí pásek na sekačce MissionNANO™.
MissionNANO™ přejíždí přes vymešovací drát. MissionNANO™ neseče v oblasti vyhrazené vymešovacím drátem. MissionNANO™ se otáčí nebo chaoticky rotuje v blízkosti vymešovacího drátu.	V přílišné blízkosti se nachází vymešovací vodič drát jiné sekačky MissionNANO™ nebo jiné značkové robotické sekačky.	Ujistěte se, zda se vymešovací vodič drát vaší sekačky MissionNANO™ nachází ve vzdálenosti alespoň 1m od jiného vymešovacího vodič drátu.
	Vymešovací vodič drát byl nainstalován s příliš ostrými rohy.	Zkontrolujte, zda je vymešovací vodič drát nainstalován tak, aby byly všechny rohy plynule zaoblené.
	Ve vlhku může úroveň elektrického signálu vymešovacího vodič drátu v místě oprav nebo spojů klesat.	Zkontrolujte spoje vymešovacích drátů. Izolaci zajistěte jejich plnou vodotěsnost.
	Úroveň elektrického signálu může klesat díky poškozené izolaci.	Opravte poškozenou izolaci vymešovacího drátu pomocí konektorů.
	Pracovní plocha sekání přesahuje přípustnou hodnotu pro MissionNANO™.	Zmenšete vymešovanou oblast pro sečení.
Sekačka MissionNANO™ opouští vymešovací vodič drát z důvodu vysoké rychlosti při sjíždění se svahu.	Vymešovací vodič drát je na příliš strmém svahu se sklonem větším než 17% (10°).	Přemístěte vymešovací vodič drát na svah, jehož sklon je menší než 17% (10°).

# Ochrana životního prostředí

 Vysloužilé elektrické přístroje nevyhazujte společně s domovním odpadem. Náradí recyklujte ve sběrnách k tomu účeluzřízených. O možnostech recyklace se informujte na místních úřadech nebo u prodejce.

## Prohlášení o shodě

My,  
Positec Germany GmbH  
Grüner Weg 10, 50825 Cologne, Germany

Tímto prohlašujeme, že výrobek,  
Popis **Robotická sekačka**

Typ **KR100 (100-199 - označení strojního zařízení, zástupce robotická sekačka) (Rok a měsíc výroby, číselné označení výrobku a sériové číslo jsou vyznačeny na zadní straně. Úplné sériové číslo je zřetelně vyznačeno na krytu sekačky) s nabíječkou akumulátorů KA0200 / KA0201 a nabíjecí základnou KA0070**

Funkce **Sekání trávy**

Splňuje požadavky následujících směrnic,  
**2006/42/EC, 2014/30/EU, 2014/35/EU, 2011/65/EU, 2000/14/EC v novelizaci 2005/88/EC, 2014/53/EU**

98

Cz

2000/14/EC v novelizaci 2005/88/EC

- Postup pro posuzování shody podle
- Měřená úroveň akustického výkonu
- Deklarovaná úroveň akustického výkonu

**Annex V**  
**67.6 dB (A)**  
**68 dB (A)**

Splňuje požadavky norem,

**EN 60335-1:2012+A11:2014, EN 50636-2-107:2015, EN 60335-2-29:2004+A2:2010, EN 62233:2008, EN ISO 3744:2005, EN 55014-1:2006+A1:2009+A2:2011, EN 61000-3-2:2014, EN 61000-3-3:2013, EN 55014-2:2015, EN 61558-1:2005+A1:2009, EN 61558-2-16:2009+A1:2013, EN 300 328 V2.1.1, EN 301 489-1 V2.1.1, EN 301 489-17 V3.1.1, EN 62311:2008**

Níže uvedená osoba odpovídá za správnost technických údajů,

**Jméno** Marcel Filz

**Adresa** Positec Germany GmbH, Grüner Weg 10, 50825 Cologne, Germany



2018/02/09

Allen Ding

Zástupce vrchní konstrukční kanceláře, Testování & Certifikace

Positec Technology (China) Co., Ltd.

18, Dongwang Road, Suzhou Industrial

Park, Jiangsu 215123, P. R. China

# Bezpečnosť výrobku

## Základné a doplnkové bezpečnostné pokyny



**UPOZORNENIE: Preštudujte si všetky bezpečnostné pokyny a inštrukcie.**

Nedodržanie bezpečnostných pokynov a inštrukcií môže viesť k úrazu elektrickým prúdom, k vzniku požiaru alebo k vážnemu úrazu.

**Pozorne si prečítajte všetky bezpečnostné pokyny týkajúce sa bezpečného použitia tohto zariadenia.**

**Všetky výstrahy a bezpečnostné pokyny uschovajte na ďalšie použitie.**

- Toto zariadenie nesmú používať osoby (vrátane detí) so zníženými fyzickými, zmyslovými alebo duševnými schopnosťami, s nedostatkom skúseností a znalostí, pokiaľ týmto osobám nebol stanovený dohľad, alebo ak im neboli poskytnuté inštrukcie týkajúce sa použitia tohto zariadenia osobou zodpovednou za ich bezpečnosť.
- Deti musia byť pod dohľadom, aby bolo zaistené, že sa s týmto zariadením nebudú hrať.
- Toto zariadenie môže byť napájané iba napájacou jednotkou, ktorá je dodávaná spoločne so zariadením.

## DÔLEŽITÉ

**PRED POUŽITÍM POZORNE PREČÍTAJTE USCHOVAJTE PRE ĎALŠIE POUŽITIE**

**Postupy týkajúce sa bezpečného použitia  
Zaškolenie**

- Pozorne si preštudujte všetky pokyny. Skontrolujte, či ste správne pochopili všetky uvedené pokyny a zoznámili ste sa s ovládacími prvkami a so správnym použitím tohto zariadenia.
- Nikdy nedovoľte, aby toto zariadenie používali osoby, ktoré neboli zoznamované s týmito inštrukciami. Miestne predpisy môžu obmedzovať vek užívateľa.
- Za nehody alebo riziká, ktoré hrozia ostatným osobám alebo ich majetku zodpovedá obsluha alebo užívateľ.

## Príprava

- Zaistite správnu inštaláciu ochranného drôtu podľa uvedených pokynov.
- Prevádzajte pravidelnú kontrolu priestoru, na ktorom bude toto zariadenie použité a odstráňte všetky kamene, drevka, drôty, kosti a ďalšie cudzie predmety.
- Prevádzajte pravidelnú vizuálnu kontrolu, či nedošlo k opotrebovaniu alebo poškodeniu nožov,

montážnych skrutiek nožov a celého zariadenia na kosenie. Opotrebované alebo poškodené nože a skrutky vymieňajte vždy ako sady, aby ste zachovali správne vyváženie.

- U kosačiek, ktoré sú vybavené viacerými hriadeľmi, dávajte pozor, pretože otáčanie jedného hriadeľa môže spôsobiť otáčanie ďalších hriadeľov.
- VAROVANIE! Táto kosačka nebude pracovať, ak nebude mať správne nasadený kryt.

## Použitie

### 1. Základné pokyny

- Nikdy nepracujte s týmto zariadením, ak sú poškodené jeho ochranné kryty alebo ak nie sú na určených miestach bezpečnostné prvky, napríklad odchyľovače.
- Nedávajte ruky alebo nohy do blízkosti alebo pod rotujúce diely. Stále udržiavajte výstupný otvor kosačky priechodný.
- Nikdy toto zariadenie nezdvíhajte alebo neprenášajte, ak je motor v chode.
- Odstráňte blokovacie zariadenie z prístroja.
  - Pred odstránením zablokovania;
  - Pred kontrolou, čistením, alebo vykonávaním práce na kosačke.
- Prevádzanie úprav originálne konštrukcie tejto roboticko kosačky nie je povolené. Všetky úpravy sú prevádzané na vaše vlastné riziko.
- Robotickú kosačku spúšťajte podľa uvedených pokynov. Pred stlačením tlačidla zapnuté/vypnuté, zaistite, aby sa vaše ruky a nohy nenachádzali v blízkosti rotujúcich nožov. Nikdy nekladajte vaše ruky a nohy pod kosačku.
- Nedovoľte, aby túto robotickú kosačku používali osoby, ktoré nevedia, ako pracuje a ako reaguje.
- Nikdy nepokladajte na hornú časť kosačky alebo nabíjacej základne žiadne predmety.
- Nepovoľte používať robotickú kosačku, došlo k jej poškodeniu alebo k poškodeniu nožového kotúča. Kosačka nesmie byť použitá s poškodenými nožmi, skrutkami, maticami alebo napájacím káblom.
- Ak nemáte v úmysle túto kosačku používať, vždy ju vypnite.
- Ruky a chodidlá držte v bezpečnej vzdialenosti od rotujúcich čepelí. Nikdy nedávajte ruky ani chodidlá do blízkosti kosačky alebo pod ňu, ak je robotická kosačka v prevádzke.
- Nepoužívajte stroj a jeho periférne zariadenie za nepriaznivých klimatických podmienok, najmä ak hrozí nebezpečenstvo blesku.
- Nedotýkajte sa pohyblivých nebezpečných častí skôr, ako sa úplne zastaví.

## 2. Ak táto kosačka pracuje v automatickom režime

- a) Ak sú v blízkosti domáce zvieratá, deti alebo iné osoby, nikdy nenechávajte túto kosačku bez dozoru.

### Údržba a uskladnenie



**VAROVANIE!** Ak je zariadenie zastavené z dôvodu údržby, kontroly, uskladnenia alebo výmeny nožov, vyberte zo zariadenia kľúč a uistite sa, že sa nože úplne zastavili.

- a) Všetky matice, skrutky a spájacie prvky udržiavajte riadne dotiahnuté, aby bolo zariadenie v bezpečnom prevádzkovom stave.
- b) Prevádzajte kontrolu robotickú kosačku každý týždeň a vymeňte opotrebované alebo poškodené časti súvisiace s bezpečnosťou.
- c) Prevádzajte hlavne kontrolu, či nie sú poškodené nože a nožový kotúč. Ak je to nutné, vždy vymieňajte všetky nože a skrutky súčasne ako jednu sadu, aby bolo zaistené vyváženie rotujúcich dielov.
- d) Zaistite, aby sa používali iba náhradné diely správneho typu.
- e) Zaistite, aby boli batérie kosačky nabíjané pomocou správnej nabíjačky odporúčenej výrobcom. Nesprávne použitie môže viesť k úrazu elektrickým prúdom, prehriatiu batérie alebo k úniku žieraviny z batérie.
- f) Ak dôjde k úniku elektrolytu z batérie, opláchnite si ruky vodou/neutralizačným prostriedkom. Ak dôjde ku kontaktu s pokožkou alebo k zasiahnutiu očí, vyhľadajte lekárske ošetrenie.
- g) Údržba kosačky musí byť prevedená podľa pokynov od výrobcu.

### Odporúčania

Stroj a jeho príslušenstvo pripojte iba k napájacíemu obvodu s ochranným zariadením pred zvyškovým prúdom (RCD) s vypínacím prúdom nepresahujúcim 30 mA.

### Ostatné riziká

Aby ste sa vyhli zraneniu, pri výmene nožov používajte ochranné rukavice.

### Preprava

Pri preprave tejto robotickú kosačky na dlhé vzdialenosti vždy používajte jej originálny obal. Zaistenie bezpečného kosenia alebo kosenia vo vnútri pracovného priestoru:

- a) Stlačte tlačidlo STOP, aby došlo k zastaveniu kosačky.
- b) Vždy túto robotickú kosačku zastavte, ak ju

chcete prenášať.

- c) Kosačku prenášajte za rukoväť, ktorá sa nachádza na spodnej časti kosačky. Kosačku prenášajte tak, aby bol nožový kotúč otočený smerom od vášho tela.

### Bezpečnostné upozornenia pre akumulátorovú batériu vo vnútri zariadenia.

- a) Nepokúšajte sa demontovať, rozoberať alebo rozrezávať batérie alebo jej články.
- b) Batériu neskratujte. Neukladajte batérie náhodne v škatuliach alebo v zásuvkách, kde by mohlo dôjsť k ich vzájomnému skratovaniu alebo k skratovaniu spôsobenému inými predmetmi. Ak sa batéria nepoužíva, udržiavajte ju v bezpečnej vzdialenosti od sponiek na papieri, mincí, kľúčov, klincov, skrutiek alebo iných malých kovových predmetov, ktoré môžu spôsobiť prepojenie kontaktov batérie. Skratovanie kontaktov batérie môže spôsobiť popáleniny alebo požiar.
- c) Nevystavujte batériu pôsobeniu tepla alebo ohňa. Vyvarujte sa skladovania batérií na priamom slnku.
- d) Nevystavujte batériu mechanickým nárazom.
- e) Ak dôjde k úniku kvapaliny z batérie, zabráňte tomu, aby sa táto kvapalina dostala do kontaktu s pokožkou alebo aby zasiahla oči. Ak dôjde k takému kontaktu, zasiahnuté miesto umyte značným množstvom vody a vyhľadajte lekárske ošetrenie.
- f) Ak dôjde k požitiu kvapaliny z batérie, vyhľadajte okamžite lekárske ošetrenie.
- g) Udržujte batérie čisté a suché.
- h) Batéria poskytuje najvyšší výkon, ak sa používa pri bežnej izbovej teplote ( $20\text{ °C} \pm 5\text{ °C}$ ).
- i) Pri likvidácii batérií oddeľte od seba batérie s odlišnými elektrochemickými systémami.
- j) Vykonávajte nabíjanie iba v nabíjačke, ktorá je špecifikovaná spoločnosťou POSITEC. Nepoužívajte inú nabíjačku, ako je nabíjačka špeciálne dodaná na použitie s týmto zariadením. Nabíjačka, ktorá je vhodná pre jeden typ batérie, môže pri použití iného typu batérie vytvárať riziko požiaru.
- k) Nepoužívajte žiadnu batériu, ktorá nie je určená na použitie s týmto zariadením.
- l) Ukladajte batérie mimo dosahu detí.
- m) Uschovajte originálnu dokumentáciu k tomuto výrobku na budúce odkazy.
- n) Vykonávajte riadnu likvidáciu batérie.

# Symbols



**VAROVANIE** –Ak sa táto robotická kosačka nepoužíva správne, môže byť nebezpečná. Pred použitím tejto robotickej kosačky si pozorne prečítajte návod na obsluhu a riadne si preštudujte jeho obsah.



**VAROVANIE** - Ak je táto kosačka v prevádzke, udržiajte od nej bezpečnú vzdialenosť.



**VAROVANIE** - Pred prácou na tejto kosačke alebo pred jej zdvihnutím použite blokovacie zariadenie.



**VAROVANIE** –Na tejto kosačke nejazdíte.



Elektrický spotrebič triedy III



Elektrické výrobky sa nesmú likvidovať spolu s domácim odpadom. Recyklujte v zberných miestach na tento účel zriadených. O možnosti recyklácie sa informujte na miestnych úradoch alebo u predajcu.



Li-Ion



Batérie nezhadzujte. Vyčerpané batérie odneste do miestneho zberného (recyklačného) miesta špeciálneho odpadu.



Nespaľujte ich.

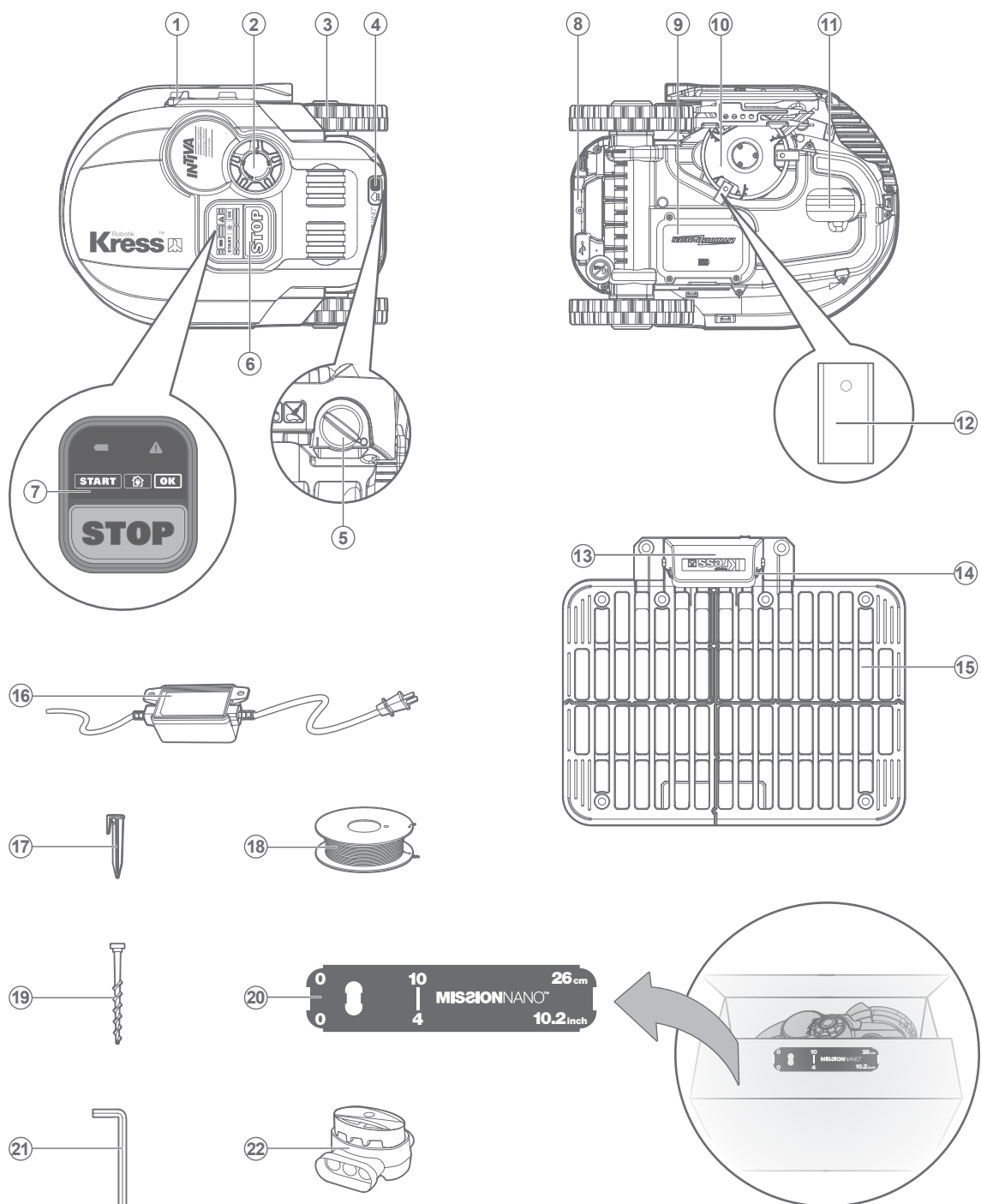


Nevystavujte dešti alebo vodě.



Nepoužívajte na umývanie kosačky vysokotlakovú umývačku.

# Zoznam dielov



102

Sk

- |  |   |
|--|---|
| 1. Nabíjacia páska                     | 12. Nôž                                       |
| 2. Gombík pre nastavenie výšky kosenia | 13. Ochranného krytu                          |
| 3. Zadné hnacie koliesko               | 14. Kontaktné kolíky                          |
| 4. Senzor dažďa                        | 15. Nabíjacia základňa                        |
| 5. Tlačidlo zapnuté/vypnuté            | 16. Napájací adaptér                          |
| 6. Tlačidlo stop                       | 17. Drôtené kolíky                            |
| 7. Ovládací panel                      | 18. Ohraničujúci drôt                         |
| 8. Rukoväť                             | 19. Upevňovacie kolíky nabíjacej základne     |
| 9. Batéria                             | 20. Meradlo vzdialenosti ohraničujúceho drôtu |
| 10. Nožový kotúč                       | 21. Šesťhranný kľúč                           |
| 11. Predné koliesko                    | 22. Spájací konektor                          |

## Technické údaje

Typ **KR100 (100-199 - označenie strojového zariadenia, zástupca robotická kosačka)**


Menovité napájacie napätie	20V $\overline{=}$ Max.*
Otáčky naprázdno	2800/min
Oblasť kosenia	600m <sup>2</sup>
Šírka záberu	18cm
Výška kosenia	30-60mm
Polohy pre nastavenie výšky kosenia	4
Typ batérie	Lítium-ion
Model batérie	KA0101
Doba nabíjania približne	2 hodín
Model nabíjačky	KA0200 / KA0201
Parametre nabíjačky	Vstup: 100-240V~50/60Hz, 38W, Výstup: 20V, 1.5A
Hmotnosť stroja	8.8kg
Stupeň ochrany	III
Aplikácia	Y
Frekvenčné pásmo integrovaného modulu WLAN	2.412GHz-2.484GHz
Max. vysokofrekvenčný výkon vstavaného modulu WLAN	802.11b:+16±2dBm(@11Mbps) 802.11g:+14±2dBm(@54Mbps) 802.11n:+13±2dBm(@HT20,MCS7)

103

Sk

\*Napätie merané bez pracovného zaťaženia. Východzie napájacie napätie batérie dosahuje minimálne 20V. Menovité napájacie napätie je 18V.

# Údaje týkajúce sa úrovne hluku

Meraná hladina akustického tlaku	$L_{pA} = 47.6 \text{ dB (A)}, K_{pA} = 3.0 \text{ dB(A)}$
Meraná hodnota akustického výkonu	$L_{wA} = 67.6 \text{ dB (A)}, K_{wA} = 3.0 \text{ dB(A)}$
Používajte ochranu sluchu, ak hodnota akustického tlaku presiahne úroveň	80dB(A) 

Určitej hlučnosti stroja sa nedá zabrániť. Vykonávanie hlučnej práce na danej trase musí byť s obmedzením na určitú dobu schválené. Dodržujte doby odpočinku, nutné obmedzenie pracovnej doby na minimum. S ohľadom na osobnú ochranu a ochranu osôb pracujúcich v blízkosti by mali všetci používať vhodnú ochranu sluchu.

## Príslušenstvo

Skrutiek	9
Nabíjacia základňa	1
Upevňovacie kolíky pre nabíjaciu základňu	8
Ohraničujúceho drôtu	150m
Kolíkov pre ohraničujúci drôt	210
Šesťhranný kľúč	1
Ukazovatele vzdialenosti ohraničujúceho drôtu	2
Nožov	9
Batéria (KA0101)	1
Nabíjačka (KA0200 / KA0201)	1
Spájací konektor	2

104  
Sk

Odporúčame vám, aby ste si príslušenstvo kúpili v tej istej predajni, v ktorej ste si kúpili aj svoje náradie. Podrobné informácie nájdete na obale príslušenstva. Prípadne sa obráťte na vášho predajcu so žiadosťou o radu a pomoc.

## Určené použitie

Tento výrobok je určený na kosenie trávnikov na súkromných pozemkoch. Je navrhnutý na časté kosenie, aby bol váš udržiavaný trávnik zdravší a vypadal lepšie, ako kedykoľvek predtým. V závislosti od rozlohy vášho trávniku môže byť Mission™ naprogramovaný tak, aby početnosť a doba prevádzky nebola ničím obmedzená. Zariadenie nie je určené na kopanie, zametanie alebo čistenie snehu.

## Údržba

Vaša kosačka MissionNANO™ musí byť občas skontrolovaná. Práca kosačky MissionNANO™ je náročná a občas musí byť prevedené jej vyčistenie a tiež výmena niektorých dielov, ktoré by mohli byť opotrebované. MissionNANO™ nikdy nepoužívajte s chybným spínačom zap./vyp.

Pred vykonaním akejkoľvek činnosti servisu alebo údržby vypnite zariadenie.

V nasledujúcom texte vám chceme poskytnúť informácie o tom, ako máte vykonávať údržbu vašej kosačky MissionNANO™.



# 1

## Udržujte nože kosačky ostré

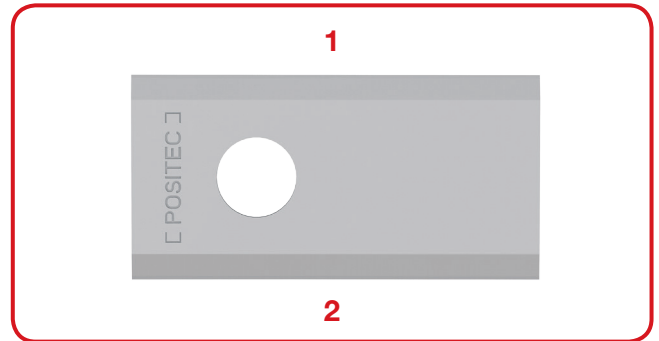


**VAROVANIE:** Pred čistením, nastavovaním alebo pred výmenou nožov váš MissionNANO™ vypnite a nasad'te si ochranné rukavice.



**VAROVANIE:** Ak budete montovať nové nože, zaistíte, aby boli vždy vymenené **VŠETKY** nože. Pri montáži nových nožov vždy používajte nové skrutky. To je dôležité na zaistenie trvalého ostria nožov a rovnováhu rotačného kotúča s nožmi. Ak nebudú použité nové skrutky, mohlo by dôjsť k spôsobeniu vážneho zranenia.

Kosačka MissionNANO™ nekosí trávu ako ostatné kosačky. Jej čepele sú ostré ako britva na všetkých 2 hranách a na dosiahnutie maximálnej reznej kapacity rotujú v oboch smeroch. Každý nôž vašej kosačky MissionNANO™ má 2 rezné hrany. Kotúč s nožmi sa náhodne otáča smerom dopredu a dozadu, aby sa využili obe rezné hrany. Tak bude minimalizovaná početnosť výmien rezných čepelí. Životnosť každého noža pri každodennom kosení je až 2 mesiace. Vždy prevádzajte vizuálnu kontrolu, či sa nože neštípi alebo sa nepoškodili iným spôsobom. Ak sú nože tupé a opotrebované, mali by byť nahradené za nové, dodané s vašou kosačkou MissionNANO™. Náhradné nože sú k dispozícii tiež u vášho najbližšieho predajcu Kress.



### A. Výmena nožov

Po určitej dobe, obvykle po každej sezóne, bude u vašej kosačky MissionNANO™ nutné prevedenie výmeny nožov. Preto sa pri výmene nožov uistíte, či sú vymenené všetky nože súčasne. Pri výmene môžete použiť jednu z sád náhradných nožov a skrutiek, ktoré sú dodávané spoločne s vašou kosačkou MissionNANO™.

Pred prevádzaním výmeny nožov kosačku MissionNANO™ vždy vypnite a použite ochranné rukavice. Potom postupujte podľa nasledujúcich krokov:

1. Opatrne kosačku MissionNANO™ obráťte.
2. Dajte dolu kryt batérie a batériu vytiahnite.
3. Pomocou skrutkovača vyskrutkujte skrutky, ktoré upevňujú nože.
4. Pomocou nových skrutiek riadne upevníte nové nože.
5. Vložte naspäť batériu a zavrite kryt batérie.



**Dôležité:** Po upevnení nožov k nožovému kotúču pomocou skrutiek sa uistíte, či sa nožový kotúč môže voľne otáčať.

# 2

## Udržujte kosačku v čistom stave



**VAROVANIE:** Pred čistením váš MissionNANO™ VYPNITE. Pred čistením nožového kotúča si nasad'te ochranné rukavice a nepoužívajte prúd vody.

## A. Čistenie krytu kosačky

Vaša kosačka Mission™ bude oveľa lepšie pracovať a bude mať dlhšiu životnosť, ak bude pravidelne prevádzkané jej čistenie. Aj keď je vaša kosačka MissionNANO™ elektrické zariadenie, budete musieť byť pri vyčistení veľmi opatrní, **preto na čistenie kosačky MissionNANO™ NEPOUŽÍVAJTE hadicu, vysokotlakovej umývačky alebo iný zdroj tečúcej vody.**

Najlepším riešením je použitie ručného postrekovača naplneného vodou. Pri očistení krytu kosačky používajte mäkkú kefku alebo čistú handru a vyvarujte sa použitiu rozpúšťadiel alebo leštidiel. Nakoniec skontrolujte, či ste odstránili všetky zvyšky nahromadenej pokosenej trávy a iné nečistoty.



## B. Čistenie spodnej časti kosačky

Znovu je veľmi dôležité, aby ste vašu kosačku MissionNANO™ vypli pomocou tlačidla zapnuté/vypnuté a aby ste si pred manipuláciou s **nožovým kotúčom nasadili ochranné rukavice.** Najskôr otočte kosačku MissionNANO™ spodnou stranou nahor, aby bol vidieť podvozok. Môžete tu vidieť nožový kotúč, podvozok, predné kolieska a hnacie kolieska. Všetko kompletne očistíte pomocou mäkkej kefky alebo vlhkej handry.

106

Sk



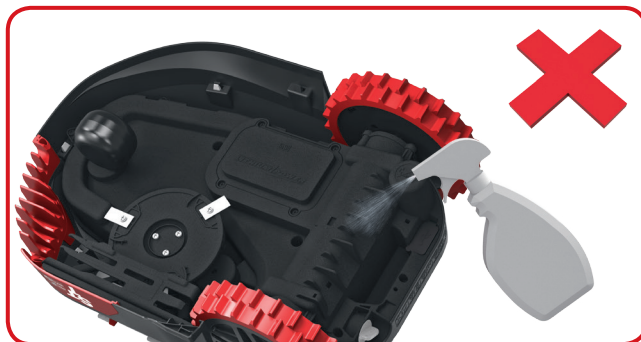
**VAROVANIE: Spodnú stranu kosačky MissionNANO™ NIKDY nečistíte oplachovaním vodou.** Môže dôjsť k poškodeniu komponentov.

Otočte žacím kotúčom aby ste sa uistili, či sa voľne otáča. Skontrolujte, či sa nože voľne otáčajú okolo pridržiavacích skrutiek. Akékoľvek prekážky odstráňte.

**DÔLEŽITÉ: Odstráňte všetky zachytené nečistoty, aby nemohli spôsobiť prasknutie nožového kotúča. Dokonca aj ta najtenšia prasklina môže znížiť prevádzkový výkon vašej kosačky MissionNANO™.**

## C. Čistenie kontaktných kolíkov a nabíjacích pásov.

Pomocou vhodnej handry očistíte kontaktné kolíky, ktoré sa nachádzajú na nabíjacej základni a nabíjaciú pásku na kosačke MissionNANO™. Pravidelne odstraňujte všetky zvyšky nahromadenej pokosenej trávy a nečistoty, ktoré sa nachádzajú v blízkosti kontaktných kolíkov a nabíjacích pásov, aby ste vždy zaistili úspešné nabíjanie batérie kosačky MissionNANO™.



# 3

## Životnosť batérie

Srdcom kosačky MissionNANO™ je jeho batéria Li-Ion s napájacím napätím 20 V. Ak sa chcete uistiť o správnom uložení batérie, zaistíte, aby bola úplne nabitá a uložte ju na chladné a suché miesto s teplotou v rozsahu -20 až 60°C.

**POZNÁMKA:** Odporúčaná prevádzková teplota kosačky MissionNANO™ je v rozmedzí 0-55°C.

Prevádzková životnosť batérie kosačky MissionNANO™ závisí od rôznych faktorov, ako sú:

- Doba trvania sezóny kosenia vo vašom regióne
- Počet hodín, kedy bude kosačka MissionNANO™ každý deň vykonávať kosenie
- Údržba batérie v priebehu uskladnenia

Kosačku MissionNANO™ môžete nabíjať ručne bez použitia ohraničujúceho drôtu.

1. Pripojte základňu na nabíjanie k vhodnému napájaciu zdroju. Rozsvieti sa zelená kontrolka nabíjacej základne.
2. Ručne umiestnite kosačku MissionNANO™, ktorá je vo vypnutom stave, do základne na nabíjanie.
3. Zelená kontrolka nabíjacej základne sa zmení na červenú. Kosačka MissionNANO™ sa začne nabíjať.



# 4

## Uskladnenie na zimu

Prevádzková životnosť kosačky MissionNANO™ bude dlhšia, ak zaistíte v zimnom období jej kvalitné uloženie. Aj keď to nemusí byť jednoduché, odporúčame vám v zimnom období uskladniť kosačku MissionNANO™ v kôlni alebo v garáži.

Pred prípravou vašej kosačky MissionNANO™ na uloženie v zimnom období vám odporúčame:

- Očistite celú kosačku MissionNANO™
- Batériu úplne nabite
- Preveďte vypnutie

Pred uložením na zimnú sezónu vám odporúčame nabiť batériu na maximálnu kapacitu, aby bola maximalizovaná jej prevádzková životnosť.

**!** **VAROVANIE: Spodnú stranu kosačky MissionNANO™ chráňte pred vodou. Kosačku MissionNANO™ NIKDY neskladujte obrátenú naruby z dôvodu pritekajúcej vody.**

Ohraničujúci drôt môže byť nechaný v zemi, ale jeho koncové časti musia byť chránené, napríklad zasunutím do nádoby s mazivom. Ak je základňa na nabíjanie nechaná v zimnom období vonku, nechajte ohraničujúce drôty pripojené k tejto základni.

**POZNÁMKA :** Pred opätovným uvedením kosačky MissionNANO™ do prevádzky po ukončení zimnej sezóny sa uistite, či sú nabíjacie pásky a kontaktné kolíky čisté. Pri očistení vám odporúčame používať jemný šmirgľový papier. Použite aplikáciu a skontrolujte, či sú datum a čas nastavené správne a odošlite MissionNANO™ späť tým, čo majú radi kosenie.

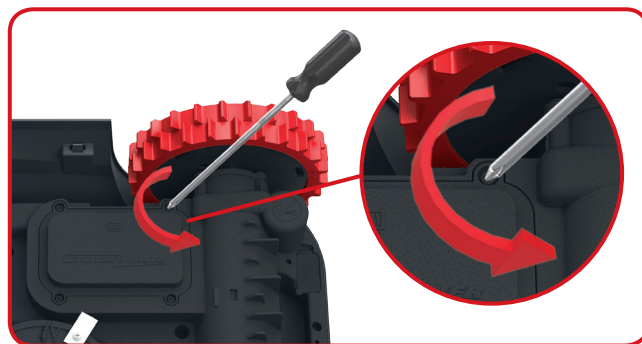
# 5

## Výmena batérie

**!** **VAROVANIE: Pred pokusom o akúkoľvek úpravu, výmenu alebo opravu vypnite napájanie. Pred výmenou nožov váš MissionNANO™ vypnite a nasadíte si ochranné rukavice.**

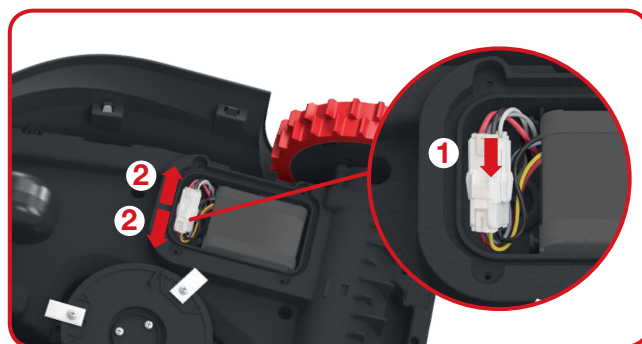
Ak chcete previesť výmenu batérie, postupujte podľa nasledujúcich krokov:

1. Opatrne obráťte kosačku MissionNANO™ spodnou stranou nahor.
2. Vyskrutkujte skrutky, ktoré sa nachádzajú na kryte batérie. Odstráňte kryt batérie.

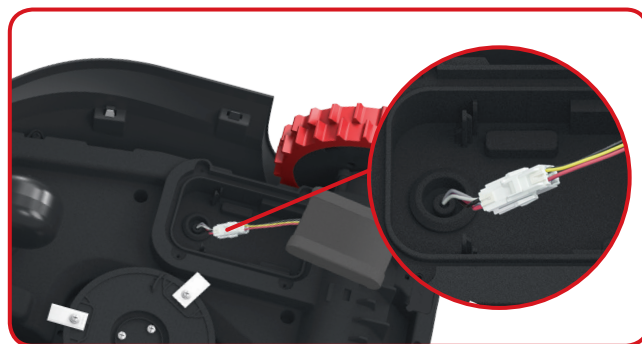
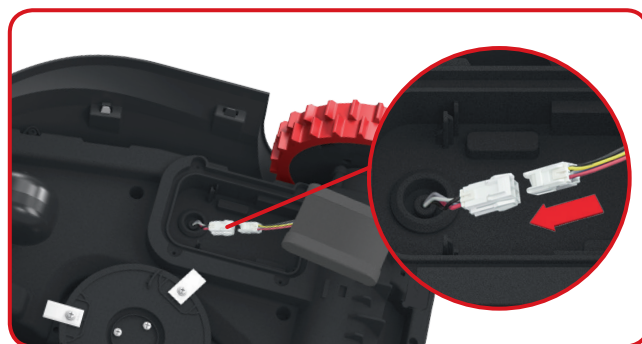


3. Opatrne vyberte starú batériu. Stlačte západku a uvoľnite konektory.

**POZNÁMKA:** Neťahajte za káble. Uchopte konektory a uvoľnite západku .



4. Pripojte novú originálnu batériu tak, že súčasne pripojíte jej konektory, až kým nezapadne na svoje miesto.



5. Batériu vložte podľa obrázku. Dajte kryt späť na svoje miesto a pevne dotiahnite skrutky.




# Riešenie problémov s inštaláciou

Ak vaša kosačka MissionNANO™ nepracuje správne, postupujte podľa nižšie uvedených pokynov pre odstránenie porúch. Ak problémy stále pretrvávajú, kontaktujte autorizovaného predajcu.

Príznak	Príčina	Riešenie
LED kontrolka na nabíjacej stanici sa nerozsvieti.	Kosačka nie je napájaná.	Skontrolujte, či je napájací kábel riadne pripojený k nabíjačke a či je nabíjačka pripojená k vhodnému zdroju napájania.
Na nabíjacej základni žblíká zelená kontrolka.	Nie je pripojený ohraničujúci vodiaci drôt.	Skontrolujte, či je vymedzovací drôt správne pripojený k nabíjacej základni. Skontrolujte, či nie sú vo vymedzovacom drôte trhliny, najmä na koncoch vodiča.
Kosačka MissionNANO™ sa nachádza vo svojom území a ohraničujúci drôt je pripojený. Indikátor chyby bliká červeno.	Krajné konce vymedzovacích drôtov sú nesprávne pripojené.	Konce vymedzovacích drôtov pripojte naopak.
Kosačka MissionNANO™ nemôže správna zaparkovať v nabíjacej základni.	Vplyvy prostredia.	Zapnite znovu kosačku MissionNANO™.
	Nesprávne spojenie spôsobené nečistotou na nabíjacej páske.	Pomocou vhodnej handričky očistite kontaktné kolíky nachádzajúce sa na nabíjacej základni a nabíjaciú pásku na kosačke MissionNANO™.
MissionNANO™ jazdí po vymedzovacom drôte. MissionNANO™ nekosí v oblasti vyhradenej vymedzovacím drôtom. MissionNANO™ sa otáča alebo chaoticky rotuje v blízkosti vymedzovacieho drôtu.	V blízkosti kosačky sa nachádza príliš blízko ohraničujúci drôt inej kosačky Mission™ alebo inej značkovej robotickej kosačky.	Skontrolujte, či sa ohraničujúci vodiaci drôt vašej kosačky MissionNANO™ nachádza vo vzdialenosti aspoň 1m od iného ohraničujúceho vodiaceho drôtu.
	Ohraničujúci vodiaci drôt bol nainštalovaný s príliš ostrými rohmi.	Skontrolujte, či je ohraničujúci vodiaci drôt nainštalovaný tak, aby boli všetky rohy plynulo zaoblené.
	Vo vlhku môže úroveň elektrického signálu vymedzovacieho vodiaceho drôtu na mieste opráv alebo spojov klesať.	Skontrolujte spoje vymedzovacích drôtov. Pomocou izolácie zaistíte ich úplnú vodotesnosť.
	Úroveň elektrického signálu môže klesať vďaka poškodenej izolácii.	Opravte poškodenú izoláciu ohraničujúceho drôtu s konektormi.
	Pracovná plocha kosenia presahuje prípustnú hodnotu pre Mission™.	Zmenšite vymedzenú oblasť pre kosenie.
Kosačka MissionNANO™ opúšťa ohraničujúci vodiaci drôt z dôvodu vysokej rýchlosti pri schádzaní zo svahu.	Ohraničujúci drôt je na príliš strmom svahu so sklonom väčším ako 17% (10°).	Premiestnite ohraničujúci vodiaci drôt, ktorého sklon je menší ako 17% (10°).

# Ochrana životného prostredia

 Elektrické výrobky neslobodno likvidovať spolu s domácim odpadom. Recyklujte v zberných miestach na tento účel zariadených. O možnosti recyklácie sa informujte na miestnych úradoch alebo u predajcu.

## Prehlásenie o zhode

My,  
Positec Germany GmbH  
Grüner Weg 10, 50825 Cologne, Germany

Týmto prehlasujeme, že výrobok  
Popis **Robotická kosačka**  
Typ **KR100 (100-199- označenie strojového zariadenia, zástupca robotická kosačka)**  
**(Rok a mesiac výroby, číselné označenie výrobku a sériové číslo sú vyznačené na zadnej strane. Úplné sériové číslo je zreteľne vyznačené na kryte kosačky) s nabíjačkou akumulátorov KA0200 / KA0201 a nabíjacou základňou KA0070**  
Funkcia **Kosenie trávy**

Spĺňa požiadavky nasledujúcich smerníc,  
**2006/42/EC, 2014/30/EU, 2014/35/EU, 2011/65/EU, 2000/14/EC v novelizácii 2005/88/EC, 2014/53/EU**

**110**  
**Sk**

2000/14/EC v novelizácii 2005/88/EC  
- Postup pre posudzovanie zhody podľa  
- Meraná úroveň akustického výkonu  
- Deklarovaná úroveň akustického výkonu

**Prílohy V**  
**67.6 dB (A)**  
**68 dB (A)**

Spĺňa požiadavky noriem,  
**EN 60335-1:2012+A11:2014, EN 50636-2-107:2015, EN 60335-2-29:2004+A2:2010, EN 62233:2008, EN ISO 3744:2005, EN 55014-1:2006+A1:2009+A2:2011, EN 61000-3-2:2014, EN 61000-3-3:2013, EN 55014-2:2015, EN 61558-1:2005+A1:2009, EN 61558-2-16:2009+A1:2013, EN 300 328 V2.1.1, EN 301 489-1 V2.1.1, EN 301 489-17 V3.1.1, EN 62311:2008**

Nižšie uvedená osoba je zodpovedná za správnosť technických údajov,

**Meno** Marcel Filz  
**Adresa** Positec Germany GmbH, Grüner Weg 10, 50825 Cologne, Germany



2018/02/09

Allen Ding

Zástupca vrchnej konštrukčnej kancelárie, Testovanie & Certifikácia

Positec Technology (China) Co., Ltd.

18, Dongwang Road, Suzhou Industrial

Park, Jiangsu 215123, P. R. China

# Varnost izdelka

## Splošna in dodatna varnostna navodila



**OPOZORILO** Preberite vsa varnostna opozorila in navodila. Neupoštevanje opozoril in navodil lahko privede do električnega udara in/ali resnih poškodb.

**Pred uporabo si pazljivo preberite navodila za varno obratovanje naprave.**

**Vsa opozorila in navodila si shranite za kasnejšo uporabo.**

- Te naprave naj ne bi uporabljale osebe (vključno z otroci) z zmanjšanimi fizičnimi, senzoričnimi ali mentalnimi zmoglostmi, oziroma brez izkušenj ali ustreznega znanja, razen, če niso prejeli ustreznih navodil, oziroma jih je o načinu uporabe predhodno podučila oseba, ki je odgovorna za njihovo varnost.
- Otroke morate ustrezno podučiti in nadzorovati, da se ne bodo igrali z napravo.
- Napravo lahko uporabljate le, če imate na voljo tudi enoto za napajanje.

## POMEMBNO

### **PRED UPORABO OBVEZNO PREBERITE SHRANITE ZA KASNEJŠO UPORABO**

#### **Varna uporaba Usposabljanje**

- Pazljivo preberite navodila. Poskrbite, da boste dobro seznanjeni z navodili in krmilnimi elementi ter s samo uporabo naprave;
- Nikoli ne dovolite, da bi osebe, ki niso ustrezno seznanjene s temi navodili ali otroci uporabljali to napravo. Lokalni predpisi lahko tudi predpisujejo starost uporabnika naprave;
- Uporabnik naprave je odgovoren za vse nesreče ali škodo, ki se pripeti drugim ali njihovi lastnini.

#### **Priprava**

- Poskrbite za pravilno in z navodili skladno namestitvev žice za omejitev.
- Občasno pregledajte območje uporabe naprave in odstranite morebitne kamne, palice, žice, kosti ali druge moteče predete.
- Občasno tudi vizualno pregledajte rezila, pritrdilne vijake rezil ter sestav rezalnika glede obrabljenosti in poškodb. Obrabljena ali poškodovana rezila in vijake obvezno zamenjajte in tako zagotovite ustrezno uravnoteženost.
- Pri več-vretenskih napravah pazite, saj se zaradi obrata enega vretena lahko obrne tudi drugo.
- OPOZORILO!** Kosilnice ne smete uporabljati, če nima nameščenega zaščitnega varovala.

## Delovanje

### 1. Splošno

- Naprave nikoli ne uporabljajte, če ima poškodovana zaščitna varovala ali drugih varnostnih delov, kot so deflektorji;
- Nikoli ne postavljajte rok ali stopal blizu ali pod vrteče se dele. Odprtine za izmet naj bodo vedno čiste;
- Naprave nikoli ne dvigujte ali je prenašajte, če motor deluje;
- Z naprave odstranite enoto za blokado delovanja.
  - Pred čiščenjem zagozdenega dela;
  - Pred preverjanjem, čiščenjem ali delom na napravi;
- Nikoli ne smete predelovati originalne zasnove robotske kosilnice. Vsakršno predelavo lahko opravite le na svojo odgovornost.
- Robotsko kosilnico lahko zaganjate le skladno z navodili. Dlani in stopal nikoli ne postavljajte pod kosilnico.
- Oseba, ki niso seznanjene s postopki uporabe robotske kosilnice, nikoli ne dovolite, da bi slednjo tudi uporabljale.
- Na robotsko kosilnico ali na postajo za polnjenje nikoli ne postavljajte ničesar.
- Nikoli ne uporabljajte robotske kosilnice, ki ima okvarjen rezalni kolut ali ohišje. Nikakor je tudi ne uporabljajte, če ima okvarjena rezila, vijake, matice ali napeljava.
- Če robotske kosilnice ne boste uporabljali, vedno izklopite glavno stikalo.
- Dlani in stopala imejte vedno proč od vrtečih se rezil. Medtem, ko robotska kosilnica deluje, nikoli ne segajte z rokami ali stopali blizu ali pod njeno ohišje.
- V izogib uporabi stroja ter dodatkov v neustreznih vremenskih razmerah, še posebej kadar obstaja nevarnost nevihte s strelami.
- Dokler se premikajoči se deli popolnoma ne zaustavijo, se jih ne dotikajte.

### 2. Dodatna opozorila pri samodejnem obratovanju

- Če veste, da se ali se bodo na območju košnje zadrževale domače živali ali ljudje, naprave nikoli ne pustite, da bi obratovala samodejno brez vašega nadzora.

### Vzdrževanje in shranjevanje



**OPOZORILO! Kadar napravo zaustavite za servisiranje, pregledovanje ali shranjevanje, oziroma pred menjavo rezil, odstranite ključ iz ključavnice in se prepričajte, da so se rezila popolnoma zaustavila.**

- poskrbite, da bodo vse matice in vijaki vedno

dobro priviti, saj le tako zagotovite, da je naprava v varnem stanju;

- b) robotsko kosilnico preverjajte tedensko in takoj zamenjajte vse okvarjene ali obrabljene dele, kajti le tako boste zagotavljali varno delovanje;
- c) posebej pozorno preverite stanje rezalnega koluta in rezil. Če je treba, zamenjajte rezila in vijake hkrati, saj le tako lahko zagotovite, da bodo vrteči se deli ostali uravnoteženi.
- d) pri menjavi rezil pazite, da boste uporabili le takšne, ki ustrezajo specifikacijam;
- e) poskrbite, da bo akumulator vedno napolnjen, za polnjenje uporabljajte le predpisano vrsto polnilcev. Uporaba napačnega polnilca lahko povzroči električni udar, pregrevanje ali odtekanje korozivne tekočine iz akumulatorja;
- f) v primeru, da iz akumulatorja izteče korozivna tekočina, okuženo površino izperite z večjo količino vode/sredstva za nevtraliziranje, če pa tekočina pride v stik s kožo ali deli telesa, pa takoj poiščite zdravniško pomoč;
- g) servisiranje naprave morate vedno izvajati skladno z navodili proizvajalca.

### **Priporočila**

Napravo in/sli njene dodatke lahko priklopite le v tokokrog, ki je ustrezno zavarovan z napravo za zaščito pred diferenčnim tokom (RCD) z največ 30 mA zaščito.

112

### **SI Preostala tveganja**

Zaradi preprečitve poškodb, pri menjavi rezil uporabljate zaščitne rokavice.

### **Prevoz**

Med prevažanjem robotske kosilnice na daljše razdalje, tega vedno namestite v originalno embalažo. Za varno dostopanje na območje košnje ali njegovo zapuščanje:

- a) Pritisnite gumb STOP, da zaustavite delovanje kosilnice.  
PIN kodo ste določili ob prvem zagonu kosilnice.
- b) Če robotske kosilnice ne boste uporabljali, vedno izklopite glavno stikalo.
- c) Kosilnico prenašajte tako, da jo držite za ročaj na zadnji strani. Med prenašanjem naj bo rezalni kolut obrnjen proč od vas.

### **Varnostna opozorila za akumulatorske celice v orodju**

- a) **Ne razstavljajte, odpirajte ali odstranjajte celic akumulatorja.**
- b) **Pazite, da ne povzročite kratkega stika med kontaktoma akumulatorja. Akumulatorjev nikoli ne shranjujte v škatli ali predalu, kjer bi lahko prišlo do kratkega stika zaradi stika**

**kontaktov s prevodnimi predmeti.** Kadar akumulator ni nameščen v orodju, ga hranite proč od drugih kovinskih predmetov, kot so sponke za papir, kovanci, ključi, žebliji, vijaki ali drugi drobni kovinski predmeti, ki bi lahko omogočili stik med kontaktoma. Če pride do stika med kontaktoma akumulatorja, to lahko povzroči požar.

- c) **Akumulatorja ne izpostavljajte vročini ali ognju. Poskrbite, da ne bo izpostavljen neposredni sončni svetlobi.**
- d) **Akumulatorja ne izpostavljajte mehanskim udarcem.**
- e) **Če opazite, da akumulator pušča, pazite, da tekočina ne bo prišla v stik z očmi. Če akumulatorska tekočina vseeno pride v stik z očmi, izperite prizadeto območje z obilo vode in poiščite zdravniško pomoč.**
- f) **Predvsem pa takoj poiščite medicinsko pomoč, če ste celico ali del akumulatorja zaužili.**
- g) **Akumulator shranjujte na čistem in suhem mestu.**
- h) **Akumulator deluje najbolj učinkovito pri sobni temperaturi ( $20\text{ °C} \pm 5\text{ °C}$ ).**
- i) **Pri odlaganju akumulatorja pazite, da boste akumulatorje, ki imajo različne elektrokemične sisteme zavrgli ločeno.**
- j) **Za polnjenje uporabljajte le polnilce, ki jih je predpisal Kress. Nikoli ne uporabljajte polnilnikov, ki niso posebej namenjeni za polnjenje vašega akumulatorja. Polnilec, ki je lahko primeren za polnjenje ene vrste akumulatorjev, lahko pri drugi povzroči nevarnost požara.**
- k) **Nikoli ne uporabljajte polnilcev, ki niso posebej zasnovani za polnjenje vašega akumulatorja.**
- l) **Akumulatorje shranjujte izven dosega otrok.**
- m) **Za podrobnosti, si oglejte gradivo, ki je bilo priloženo akumulatorju.**
- n) **Akumulatorje odlagajte skladno s predpisi.**



# Simboli



**OPOZORILO** – robotska kosilnica je ob napačni uporabi lahko nevarna. Preden uporabite robotsko kosilnico, si pazljivo preberite navodila za uporabo.



**OPOZORILO** - Med obratovanjem naprave bodite od nje vedno oddaljeni.



**OPOZORILO** – Pred dviganjem ali delom na napravi vedno aktivirajte enoto za blokado delovanja.



**OPOZORILO** –Nikoli ne sedajte na robotsko kosilnico.



Naprava razreda III



Odpadnih električnih naprav ne smete zavržiti skupaj z ostalimi gospodinjskimi odpadki. Dostavite jih na mesto za ločeno zbiranje odpadkov. Glede podrobnosti, se posvetujte z lokalno službo za ravnanje z odpadki.



Li-Ion



Akumulatorjev ne zavržite skupaj z ostalimi odpadki, temveč jih dostavite na mesto za ločeno zbiranje odpadkov.



Prepovedano sežiganje.

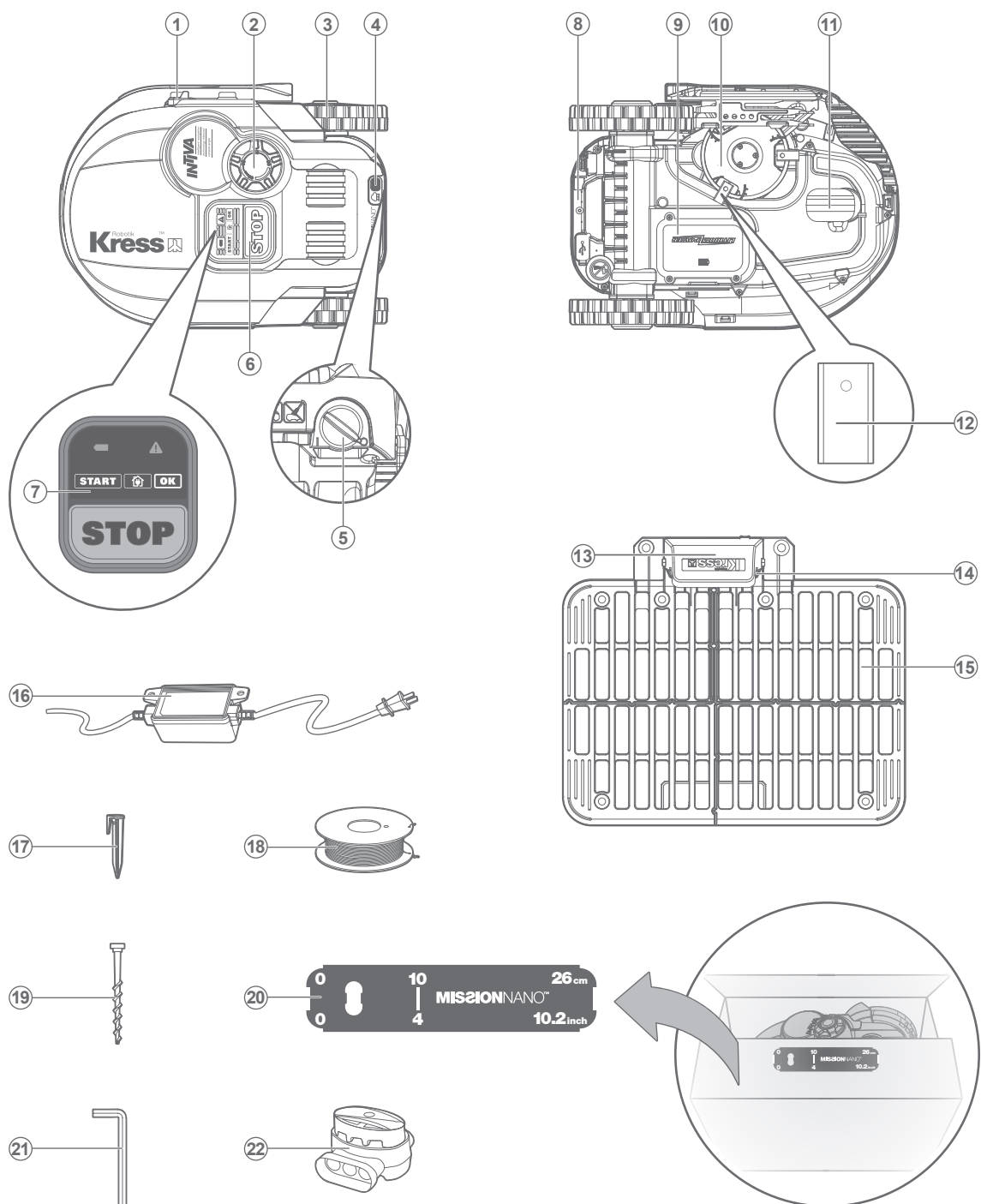


Ne izpostavljajte dežju ali vodi.



Naprave nikoli ne perite z visokotlačnim čistilnikom.

# Zoznam dielov



- |                                      |   |
|--------------------------------------|---|
| 1. Trakova napajalnika               | 12. Rezilo                                |
| 2. Gumb za nastavitev višine rezanja | 13. Zaščitni pokrov                       |
| 3. Zadnje pogonsko kolo              | 14. Kontaktna priklopa                    |
| 4. Senzor za dež                     | 15. Baza za polnjenje                     |
| 5. Tipka on/off (vklop/izklop)       | 16. Napajalni adapter                     |
| 6. Gumb za izklop                    | 17. Klini za žico                         |
| 7. Nadzorna plošča                   | 18. Žica za omejitev                      |
| 8. Ročaj                             | 19. Klini za pritrditev baze za polnjenje |
| 9. Akumulator                        | 20. Merilnik razdalje od meje košnje      |
| 10. Rezalni kolut                    | 21. Šest robi ključ                       |
| 11. Sprednje kolo                    | 22. Spojnik                               |


## Tehnični podatki

Vrsta **KR100 (100-199 - oznaka naprave, predstavnik robotske kosilnice)**

Nominalna napetost	20V $\approx$ Max.*
Št. vrt. v prostem teku	2800/min
Območje rezanja	600m <sup>2</sup>
Premer rezanja	18cm
Višina rezanja	30-60mm
Položaji višine rezanja	4
Vrsta akumulatorja	Li-ion
Model akumulatorja	KA0101
Čas polnjenja pribl.	2hrs
Model polnilca	KA0200 / KA0201
Napetost polnilca	Vhod: 100-240V~50/60Hz, 38W, Izhod: 20V, 1.5A
Teža naprave	8.8kg
Stopnja zaščite	III
Aplikacija	Y
Frekvenčni pas vgrajenega WLAN modula	2.412GHz-2.484GHz
Maksimalna radijsko-frekvenčna moč vgrajenega WLAN modula	802.11b:+16±2dBm(@11Mbps) 802.11g:+14±2dBm(@54Mbps) 802.11n:+13±2dBm(@HT20,MCS7)

\*Napetost merjena, ko naprava ni bila obremenjena. Začetna napetost akumulatorja dosega največ 20V. Običajna napetost je 18V.

# Hrup in tehnični podatki

Vrednotena raven zvočnega tlaka	$L_{pA} = 47.6 \text{ dB (A)}, K_{pA} = 3.0 \text{ dB(A)}$
Tehtana vrednost zvočne moči	$L_{wA} = 67.6 \text{ dB (A)}, K_{wA} = 3.0 \text{ dB(A)}$
Če raven zvočnega tlaka presega 80dB (A), obvezno uporabljate zaščito za sluh.	80dB(A) 

Določene ravni hrupa z naprave se ne morete izogniti. Poskrbite, da boste dela z višjo ravno hrupnosti načrtovali ob ustreznih trenutkih. Načrtujte tudi odmore, hkrati pa poskrbite za najkrajše možne čase delovanja. Upoštevajoč opriporočil az aosebno zaščito, naj prisotni uporabljajo predpisano zaščitno opremo za sluh.

## Pripomočki

Vijakov	9
Baza za polnjenje	1
Klinov za pritrditev baze za polnjenje	8
Žice za omejitev	150m
Klinov za žico	210
Šest robi ključ	1
Merilnik razdalje od meje košnje	2
Rezil	9
Akumulator (KA0101)	1
Polnilec (KA0200 / KA0201)	1
Spojnik	2

116

SI

Priporočamo vam, da nadomestne dele kupujete v isti trgovini, kjer ste kupili orodje. Za podrobnosti si oglejte razlage na embalaži kompleta dodatkov. Pri odločanju o ustreznem dodatku, vam lahko pomaga tudi osebe v trgovini.

## Namen uporabe

Ta naprava je namenjena domači uporabi. Zasnovan je za pogosto košnjo, zaradi česar bo vaša zelenica bolj zdrava in bo videti lepše kot kdajkoli. Odvisno od velikosti vaše zelenice, MissionNANO™ lahko programirate tako, da bo obratoval kadarkoli in kolikor pogosto želite, brez vsakršnih omejitev. Naprava ni namenjena za kidanje, pometanje ali čiščenje snega.

## Vzdrževanje

MissionNANO™ morate občasno pregledati. MissionNANO™ deluje s polno močjo in vsake toliko časa ga morate očistiti in zamenjati morebitne obrabljene dele. Če je stikalo za vklop/izklop v okvari, MissionNANO™ ne uporabljajte.

Pred vsakim servisiranjem in vzdrževanjem izklopite napravo.

V nadaljevanju vas želimo seznaniti s postopki vzdrževanja in nege vašega MissionNANO™.

# 1

## Skrbite, da bodo rezila vedno ostra

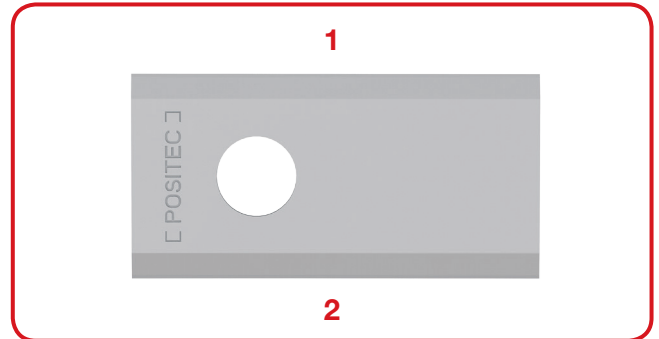


**OPOZORILO:** Pred čiščenjem, nastavljanjem ali menjavo rezil, obvezno **IZKLOPITE MissionNANO™** in si nadenite zaščitne rokavice.



**OPOZORILO:** Pri nameščanju novih rezil, poskrbite, da boste hkrati zamenjali **VSA** rezila. Pri pritrjevanju rezil, obvezno uporabite nove vijake. To je pomembno zaradi zadrževanja in ravnovesja koluta z rezili. Če ne bosta uporabili novih vijakov, to lahko privede do resnih poškodb.

MissionNANO™ ne reže trave na način, kot jo režejo ostale kosilnice. Njegova rezila so na vseh 2 robovih ostra kot britev in se vrtijo v obeh smereh in tako zagotavljajo maksimalno kapaciteto rezanja. Rezila vašega MissionNANO™ imajo 2 rezalne robove. Rezalni kolot se bo naključno vrtel naprej in nazaj in pri tem uporabljal obe rezili. To pomaga zmanjšati pogostost menjavanja rezil. Pri vsakodnevni košnji, lahko z enim robom rezila kosite travo približno 2 mesece. Redno preverjajte, če rezila ne postajajo okrušena ali poškodovana in jih v teh primerih takoj zamenjajte. Ko se obrabijo vsi robovi rezila, slednja zamenjajte z rezervnimi, ki so priložena v paketu MissionNANO™. Nadomestna rezila lahko kupite pri vašem najbližjem trgovcu Kress.



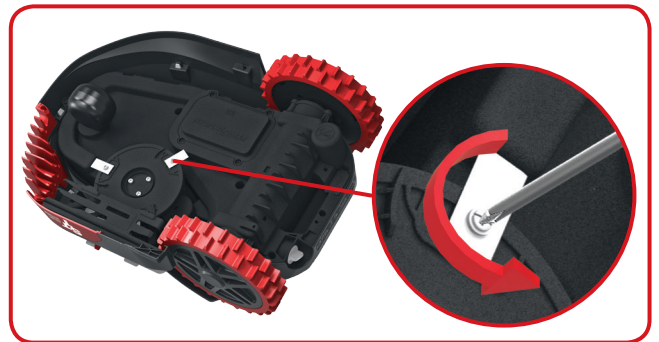
## A. Menjava rezil

Po preteku nekaj časa, običajno enkrat na sezono, boste morali rezila MissionNANO™ a zamenjati z novimi. Zato pri menjavi rezil poskrbite, da boste zamenjali vsa rezila hkrati. Lahko jih zamenjate z rezervnimi, ter hkrati uporabite tudi rezerve vijake, ki so bili priloženi vaši napravi MissionNANO™.

Pred menjavo rezil MissionNANO™ izklopite napravo in si nadenite zaščitne rokavice. Nato sledite tem korakom:

1. Nežno obrnite MissionNANO™ okoli
2. Odprite pokrov akumulatorja in slednjega odstranite iz ležišča.
3. S križnim izvijačem odvijte vijake rezil.
4. Trdno privijte nova rezila.
5. Akumulator vstavite v ležišče in zaprite pokrov.

**POMEMBNO:** Ko privijte rezila na kolot, preverite, če se slednji prosto vrti.



# 2

## Skrbite, da bo naprava vedno čista



**OPOZORILO:** Pred čiščenjem **IZKLOPITE MissionNANO™**. Pred čiščenjem rezalnega koluta si nadenite zaščitne rokavice in nikoli ne uporabljajte tekoče vode.

## A. Čiščenje ohišja

Vaš MissionNANO™ bo deloval boljše in dlje, če ga boste redno čistili. Ker je vaš MissionNANO™ električna naprava, morate paziti pri njegove čiščenju, **zato za čiščenje NIKOLI ne uporabljajte cevi za zalivanje vrta**, niti na noben drug način ne polivajte vode po vaši napravi MissionNANO™, priporočamo, da za čiščenje uporabljate razpršilko, ki ste jo napolnili z vodo. Pri čiščenju ohišja uporabite mehko ščetko ali čisto krpo, ne priporočamo pa, da uporabljate raztopine ali sredstva za poliranje. Pri čiščenju tudi poskrbite, da boste odstranili vso nakopičeno travo in nečistoče.



## B. Čiščenje spodnjega dela

Ponovno poudarjamo, da morate pred dotikanjem rezalnega koluta obvezno IZKLOPITI MissionNANO™ preko guba ON/Off (VKLOP/ IZKLOP) in si nadeti zaščitne rokavice. Najprej obrnite napravo MissionNANO™ okoli, da boste lahko dostopali do spodnjega dela. Videli boste rezalni kolot, ohišje, sprednje kolo ter pogonsko kolo. Z mehko ščetko ali vlažno krpo temeljito očistite celotno napravo.

118

SI



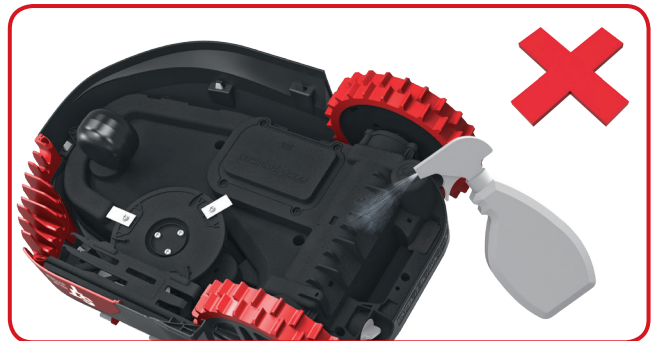
**OPOZORILO: NIKOLI ne čistite spodnjega dela MissionNANO™-a s tekočo vodo.** Pri tem bi lahko poškodovali dele naprave.

Zavrtite rezalni kolot in preverite, če se prosto vrti. Preverite, če se rezila prosto vrtijo preko pritrdilnih vijakov. Odstranite morebitne ovire.

**POMEMBNO: Odstranite morebitne nečistoče, ki bi lahko povzročile okvaro rezalnega koluta. Tudi najmanjša razpoka že lahko povzroči, da vaš MissionNANO™ ne bo več učinkovito kosil.**

## C. Čiščenje kontaktnih priklpov in trakov napajalnika

S krpo očistite kontaktni priklp na bazi za polnjenje in trak napajalnika na MissionNANO™. Občasno odstranite nakopičeno travo in nečistoče, ki so se nabrale na kontaktnih priklpovih in trakovih napajalnika in tako zagotovite, da se bo MissionNANO™ uspešno polnil.



# 3

## Življenjska doba akumulatorja

Srce vaše naprave MissionNANO™ je 20 V li-ion akumulator. Za pravilno shranjevanje, ga popolnoma napolnite in shranite na suho in hladno mesto s temperaturo med -20 °C in 60 °C.

**OPOMBA:** Priporočena temperatura uporabe naprave MissionNANO™ je med 0-55°C.

Življenjska doba MissionNANO™ ovega akumulatorja je odvisna od več dejavnikov, med drugim:

- Čas trajanja sezone košenja trave v vašem kraju.
- Dnevnim številom ur košnje.
- Vzdrževanje akumulatorja med shranjevanjem.

MissionNANO™ lahko polnite tudi ročno, brez priključene žice za omejitev.

1. Bazo za polnjenje priklopite v stabilno omrežje. Vključila se bo zelena lučka baze za polnjenje.
2. Ročno priklopite MissionNANO™ v bazo za polnjenje, medtem naj bo MissionNANO™ odklopljen.
3. Zelena lučka baze za polnjenje se bo preključila v rdečo. MissionNANO™ se bo pričel polniti.



# 4

## Shranjevanje preko zime

Vaš MissionNANO™ bo deloval dlje in boljše, če ga boste preko zime ustrezno shranjevali. Čeprav je vaš MissionNANO™ čvrst in trpežen, vam priporočamo, da ga preko zime shranite v vrtno lopo ali v garažo. Preden pripravite MissionNANO™ za zimsko mirovanje, priporočamo, da:

- Temeljito očistite MissionNANO™
- Do konca napolnite akumulator
- Izključite električno napajanje

Če želite, da bi akumulator brezhibno deloval dolgo časa, vam priporočamo, da ga pred zimo do konca napolnite.

**⚠ OPOZORILO: Zaščitite spodnji del MissionNANO™-a z vodo. NIKOLI ne shranjujte MissionNANO™-a obrnjenega pokonci in zunaj, kjer bi vanj lahko pritekala voda.**

Žico za omejitev lahko pustite v zemlji, njena konca pa morate zaščititi s pločevinko in namastiti. Če bazo za polnjenje pustite zunaj preko zime, naj ostaneta konca žice za omejitev priklopljena.

**OPOMBA:** Po zimskem shranjevanju napravo MissionNANO™ preverite, če so trakova napajalnika in kontaktna priklopa čisti, vsekakor pa vam priporočamo, da stične površine očistite s finim brusnim papirjem. V aplikaciji preverite, če sta datum in čas pravilno nastavljeni in pošljite napravo MissionNANO™ nazaj, naj počne kar dela najraje, kosi travo.

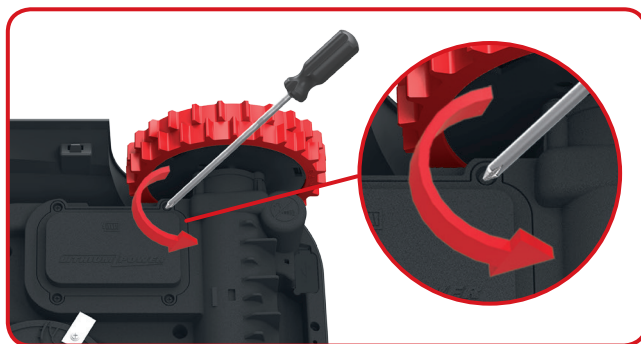
# 5

## Menjava akumulatorja.

**⚠ OPOZORILO: Pred nastavitvami, menjavo ali popravili ugasnite napravo. Pred menjavo rezil, obvezno IZKLOPITE MissionNANO™ in si nadenite zaščitne rokavice.**

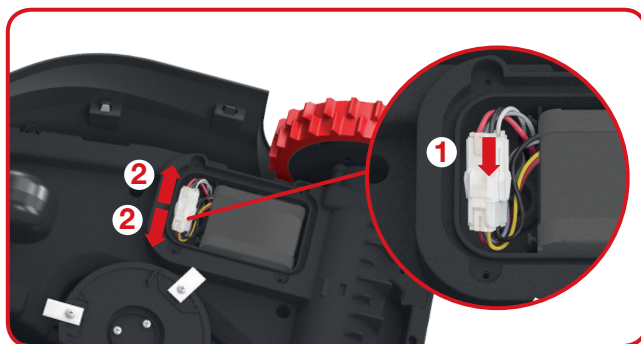
Če morate zamenjati akumulator, sledite naslednjim korakom:

1. Pazljivo obrnite MissionNANO™ okoli.
2. Odvijte vijake na akumulatorju. Odstranite pokrov akumulatorja.

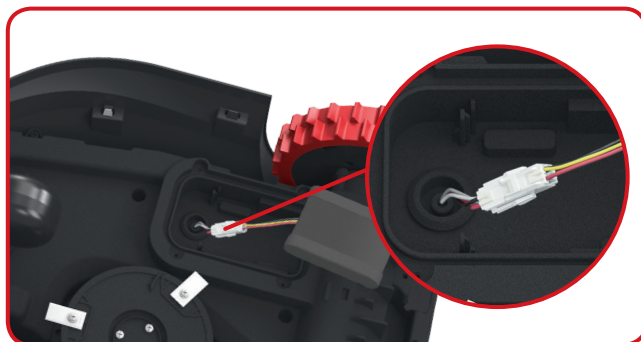
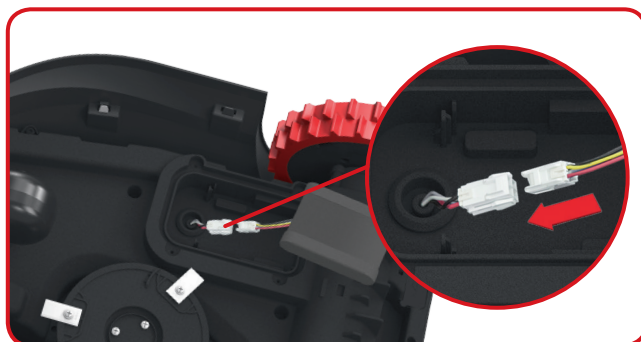


3. Vzemite akumulator iz ležišča. Pritisnite zaponko in razprite konektorja.

**OPOMBA:** Akumulatorja ne dvigujte za kable. Primite spojko kabla in sprostite pritrdilo.



4. Namestite nov akumulator, spojite kabla in pritrdite pritrdilo.



5. Namestite akumulator kot je predpisano. Pokrov namestite nazaj v prvotni položaj in čvrsto privijte vijake.






# Odpravljanje napak pri namestitvi

Če vaš MissionNANO™ ne deluje pravilno, sledite navodilom za odpravljanje težav. Če se napake še vedno ponavljajo, se posvetujte s trgovcem, pri katerem ste napravo kupili.

Simptom	Vzrok	Opraviilo
LED lučka na postaji za polnjenje se ne vklopi.	Postaja za polnjenje nima dovoda električne energije.	Preverite, če je napajalni kabel pravilno priključen na polnilnik in polnilnik priključen v ustrezen vir napajanja.
Zelena utripajoča lučka na bazi za polnjenje.	Žica za omejitev ni priklopljena.	Preverite, če je žica za omejitev pravilno povezana v postajo za polnjenje. Preverite, če so v žici za omejitev kakšne prekinitve, še posebej na koncih žice.
Vaš MissionNANO™ je znotraj svojega območja in žica za omejitev je povezana z napajanjem. Indikatorska lučka utripa rdeče.	Žica za omejitev ni pravilno vpeta.	Obrnite konce žice za omejitev.
MissionNANO™ se ne more pravilno vstaviti v bazo za polnjenje.	Okoljski vplivi.	Ponovno zaženite MissionNANO™.
	Ostanki trave, ki so se nakopičili med kontaktna priklopa in trakova napajalnika preprečujejo povezavo.	S krpo očistite kontaktna priklopa na bazi za polnjenje in trakova napajalnika na napravi MissionNANO™.
MissionNANO™ je izven območja žice za omejitev. MissionNANO™ ne kosi površine v območju žice za omejitev. MissionNANO™ se blizu žice za omejitev obrne ali vrti.	Žica za omejitev drugega MissionNANO™ ali robotske kosilnice druge blagovne znamke je nameščena preblizu.	Zagotovite, da bo žica za omejitev vašega MissionNANO™ vsak 1 m oddaljena od sosedove žice za omejitev.
	Žica za omejitev je nameščena tako, da so koti preostri.	Preverite, če so koti v katerih je nameščena žica za omejitev zadosti topi.
	V mokrih razmerah lahko električni signal, na mestu, kjer je bil ažica spojena ali pretrgana, odteka.	Preverite spoje žice za omejitev. Izolirajte, da se zagotovite popolno vodotesno povezavo.
	Zaradi poškodovane izolacije, prihaja do odtekanja električnega signala.	Poškodovano žico za omejitev lahko spojite s kabelskimi spojkami.
	Območje rezanja je večje kot je dovoljeno za MissionNANO™.	Zmanjšajte območje košnje.
MissionNANO™ lahko zaradi prevelike hitrosti, ki jo pridobi med vožnjo navzdol, lahko zapelje izven označenega območja.	Žica za omejitev je nameščena na klančini z naklonom, ki je večji od 17% (10°).	Žico za omejitev napeljite proč od klančin, ki imajo naklon večji od 17% (10°).

## Varovanje okolja

 Odpadnih električnih naprav ne smete zavreči skupaj z ostalimi gospodinjskimi odpadki. Dostavite jih na mesto za ločeno zbiranje odpadkov. Glede podrobnosti, se posvetujte z lokalno službo za ravnanje z odpadki.

# Prehlásenie o zhode

My,  
Positec Germany GmbH  
Grüner Weg 10, 50825 Cologne, Germany

Izjavljamo, da je izdelek,  
Opis **Robotska kosilnica**  
Vrsta **KR100 (100-199 - oznaka naprave, predstavnik robotske kosilnice) (Leto, številka artikla in mesec izdane serijske številke so navedeni na zadnji strani. Celotna serijska številka je pregledno navedena na embalaži kosilnice) s polnilnikom akumulatorjev KA0200 / KA0201 ter postajo za polnjenje KA0070**  
Funkcija **Rezanje trave**

Skladen z naslednjimi direktivami,  
**2006/42/EC, 2014/30/EU, 2014/35/EU, 2011/65/EU, 2000/14/EC spremenjena z 2005/88/EC, 2014/53/EU**

2000/14/EC spremenjena z 2005/88/EC

- Postopek za ugotavljanje skladnosti, glede na	<b>Dodatek V</b>
- Izmerjena raven zvočne moči	<b>67.6 dB (A)</b>
- Deklarirana raven zvočne moči	<b>68 dB (A)</b>

Usklajenost s standardi,

**EN 60335-1:2012+A11:2014, EN 50636-2-107:2015, EN 60335-2-29:2004+A2:2010, EN 62233:2008, EN ISO 3744:2005, EN 55014-1:2006+A1:2009+A2:2011, EN 61000-3-2:2014, EN 61000-3-3:2013, EN 55014-2:2015, EN 61558-1:2005+A1:2009, EN 61558-2-16:2009+A1:2013, EN 300 328 V2.1.1, EN 301 489-1 V2.1.1, EN 301 489-17 V3.1.1, EN 62311:2008**

122

SI

Oseba, ki je pooblaščenca za skladnost tehnične dokumentacije,

**Meno** **Marcel Filz**

**Adresa** **Positec Germany GmbH, Grüner Weg 10, 50825 Cologne, Germany**



2018/02/09

Allen Ding

Namestnik glavnega inženirja za testiranje in certificiranje

Positec Technology (China) Co., Ltd.

18, Dongwang Road, Suzhou Industrial

Park, Jiangsu 215123, P. R. China

# Segurança do Produto

## Instruções de segurança gerais e adicionais



**AVISO: Leia todos os avisos e instruções de segurança.** O desrespeito dos avisos e instruções pode resultar em choques eléctricos, incêndios e/ou ferimentos graves.

**Leia cuidadosamente as instruções sobre o funcionamento seguro da máquina.**

**Preserve todos avisos e instruções para referência futura.**

- Este aparelho não se destina a ser utilizado por indivíduos (incluindo crianças) com capacidades físicas reduzidas, capacidades sensoriais e mentais reduzidas ou falta de experiência e conhecimento, salvo quando supervisionados ou instruídos por uma pessoa responsável acerca da utilização do aparelho e respectiva segurança.
- Deve supervisionar as crianças para garantir que não brincam com o aparelho.
- Este aparelho só deve ser utilizado com a fonte de alimentação fornecida com o mesmo.

## IMPORTANTE

**LEIA CUIDADOSAMENTE ANTES DE UTILIZAR  
PRESERVE PARA FUTURA REFERÊNCIA**

### Práticas de utilização segura Formação

- Leia atentamente as instruções. Certifique-se de que compreende as instruções e familiarize-se com os controlos e com a utilização adequada do aparelho;
- Nunca permita que o aparelho seja utilizado por crianças ou pessoas que não estejam familiarizadas com a utilização do aparelho. Os regulamentos locais podem restringir a idade do operador;
- O operador ou utilizador é responsável por acidentes ou situações de perigos ocorrendo a outras pessoas ou na sua propriedade.

### Preparação

- Certifique-se de que instala correctamente o fio de delimitação conforme instruído.
- Inspeccione periodicamente a área onde o aparelho deve ser utilizado e retire todas as pedras, paus, fios, ossos e outros objectos estranhos.
- Inspeccione a máquina visual e periodicamente para verificar se as lâminas, os parafusos das lâminas e o conjunto de corte estão desgastados ou danificados. Substitua lâminas e parafusos gastos ou danificados em conjunto de modo a

preservar o equilíbrio.

- Nos aparelhos com vários pivôs, preste atenção ao rodar uma lâmina pois pode provocar a rotação das restantes lâminas.
- AVISO!** O cortador de relva não deve ser utilizado sem a protecção no local correcto.

## Funcionamento

### 1. Geral

- Nunca utilize o aparelho com protecções defeituosas ou sem dispositivos de segurança no local correcto, por exemplo deflectores;
- Não coloque os pés nem as mãos perto ou debaixo de peças em rotação. Mantenha-se sempre afastado da abertura de descarga;
- Nunca pegue ou transporte um aparelho enquanto o motor estiver a funcionar;
- Remova o dispositivo de desativação do aparelho.
  - Antes de eliminar um bloqueio;
  - Antes de inspeccionar, limpar ou trabalhar no aparelho;
- Não é permitido modificar a concepção original do robot corta-relva. Todas as modificações são da sua exclusiva responsabilidade.
- Ligue o robot corta-relva de acordo com as instruções. Nunca coloque as mãos e pés sob o cortador.
- Não deixe as pessoas que não se encontram familiarizadas com o funcionamento do robot corta-relva utilizarem o mesmo.
- Não coloque objectos sobre o robot corta-relva ou na respectiva estação de carga.
- Não permita que o robot corta-relva seja utilizado com um disco da lâmina ou corpo defeituosos. Também não deve ser utilizado com lâminas, parafusos, porcas ou cabos defeituosos.
- Desligue sempre o robot corta-relva quando concluir a sua utilização.
- Mantenha as suas mãos e pés longe das lâminas giratórias. Nunca coloque as mãos ou pés próximo ou por baixo do corpo quando o corta-relva robotizado estiver em funcionamento.
- De modo evitar a utilização da máquina e dos respetivos periféricos em condições atmosféricas adversas, especialmente quando existe risco de queda de raios.
- Não tocar em peças móveis perigosas antes de estar terem parado por completo.

### 2. Além disso, quando o aparelho estiver a funcionar automaticamente

- Não deixe a máquina a funcionar sem supervisão caso não saiba se existem animais de estimação, crianças ou pessoas nas proximidades.

## Manutenção e armazenamento



**AVISO! Quando a máquina estiver parada para assistência, inspeção ou armazenamento ou para substituição das lâminas, remova a chave da máquina e certifique-se de que as lâminas param completamente.**

- a) Mantenha todas as porcas, pernos e parafusos apertados para garantir que o aparelho se encontra em condições de funcionamento seguras;
- b) Inspeccione o robot corta-relva semanalmente e substitua as peças gastas ou danificadas por motivos de segurança;
- c) Verifique especialmente se as lâminas e respectivos discos estão danificados. Substitua todas as lâminas e parafusos em simultâneo (caso necessário) para que as peças rotativas fiquem equilibradas.
- d) Certifique-se de que são utilizados apenas meios de corte sobresselentes do tipo correcto;
- e) Certifique-se de que as baterias estão carregadas utilizando o carregador correcto recomendado pelo fabricante. A utilização incorrecta pode provocar choques eléctricos, sobreaquecimento ou fugas de líquido corrosivo da bateria;
- f) Em caso de fuga de electrólitos lave com água/ agente neutralizador e procure aconselhamento médico se entrar em contacto com os olhos, etc.;
- g) A assistência ao aparelho deve estar de acordo com as instruções do fabricante.

## Recomendação

Ligar a máquina e/ou os respetivos periféricos apenas a um circuito de alimentação protegido por um dispositivo de corrente residual (RCD) com uma corrente de disparo não superior a 30 mA.

## Riscos residuais

Para evitar lesões, usar luvas de proteção quando substituir as lâminas.

## Transporte

A embalagem original deve ser utilizada ao transportar o robot corta-relva em longas distâncias.

Para transportá-lo desde ou na área de funcionamento:

- a) pressione o botão PARAR para parar o cortador.
- b) Desligue sempre o robot corta-relva caso pretenda transportá-lo.
- c) Transporte sempre o cortador pelo manípulo na parte posterior sob o cortador. Transporte o cortador com o disco da lâmina afastado do corpo.

## Avisos de segurança para a bateria no interior da ferramenta

- a) Não desmonte, abra ou corte as células da bateria.
- b) Não submeta a bateria a curto-circuitos. Não armazena as baterias ao acaso numa caixa ou gaveta onde possam provocar um curto-circuito ou submetidas a curto-circuitos por materiais condutores. Quando não estiver a utilizar a bateria, mantenha-a afastada de outros objectos metálicos, como clipes, moedas, chaves, pregos, parafusos ou outros pequenos objectos de metal, que possam realizar uma ligação de um terminal a outro. Um curto-circuito dos terminais da bateria pode provocar queimaduras ou um incêndio.
- c) Não exponha a bateria ao calor ou a incêndios. Evite o armazenamento à exposição de luz solar directa.
- d) Não exponha a bateria ao choque eléctrico.
- e) Em casos de fugas na bateria, não permita que o líquido entre em contacto com a pele ou olhos. Caso entre em contacto, lave a área afectada com quantidades abundantes de água e procure aconselhamento médico.
- f) Procure imediatamente aconselhamento médico se ingerir uma célula ou bateria.
- g) Mantenha a bateria limpa e seca.
- h) A bateria regista o seu melhor desempenho quando é utilizada a uma temperatura ambiente normal ( $20\text{ °C} \pm 5\text{ °C}$ ).
- i) Ao eliminar as baterias, mantenha as baterias com diferentes sistemas electroquímicos separadas umas das outras.
- j) Recarregue apenas com o carregador especificado pela Kress. Não utilize um carregador que não se encontra especificado para a utilização com o equipamento. Um carregador adequado para um determinado tipo de bateria pode provocar risco de incêndio quando é utilizado com outra bateria.
- k) Não utilize uma bateria que não se encontra concebida para a utilização com o equipamento.
- l) Mantenha a bateria fora do alcance das crianças.
- m) Preserve as informações originais do produto para futura referência.
- n) Elimine-a de forma adequada.

# Símbolos



**AVISO** – o robot cortador de relva pode ser perigoso se for utilizado incorrectamente.  
Leia cuidadosamente o manual do proprietário e compreenda o respectivo conteúdo antes de utilizar o seu robot cortador de relva.



**AVISO** – Mantenha uma distância segura da máquina quando estiver em utilização.



**AVISO** – Remova o dispositivo de desativação antes de trabalhar na máquina ou proceder à elevação desta.



**AVISO** – Não se coloque sobre a máquina.



Aparelho Classe III



Os produtos eléctricos residuais não devem ser eliminados juntamente com o lixo doméstico. Recicle onde existam instalações. Confirme com as suas autoridades locais ou distribuidor relativamente ao dispositivo de reciclagem.



Li-Ion



As baterias usadas devem ser separadas de forma ecológica. Não elimine as baterias usadas como resíduo municipal indiferenciado.



Não queimar.

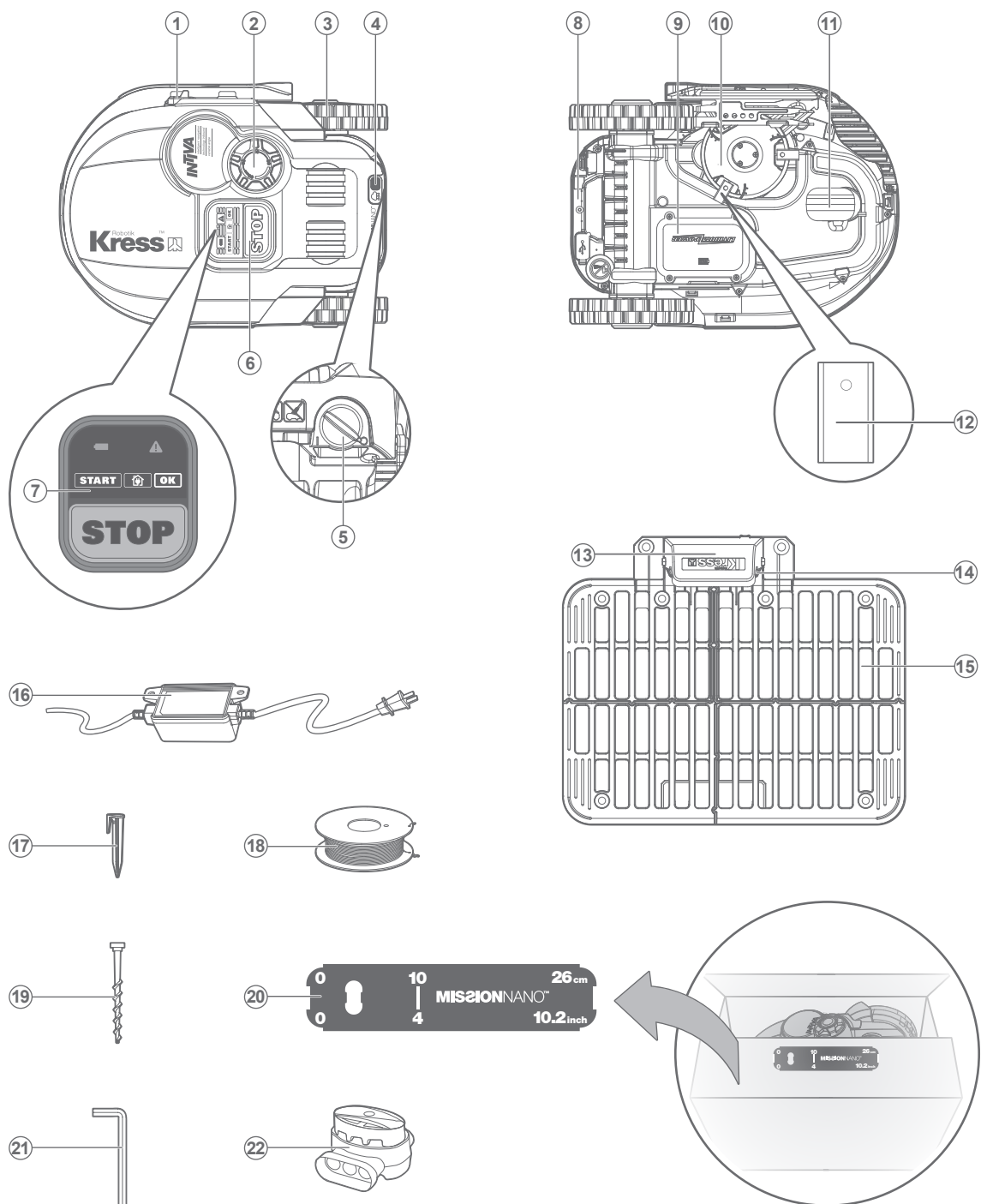


Não expor à chuva ou água.



Não lave a máquina com equipamento de lavagem de pressão elevada.

# Lista de componentes



- |                                       |  |
|---------------------------------------|--|
| 1. Tira de carga                      | 12. Lâmina de corte                            |
| 2. Botão de ajuste da altura de corte | 13. Tampa de proteção                          |
| 3. Roda de condução traseira          | 14. Pinos de contacto                          |
| 4. Sensor de chuva                    | 15. Base de carga                              |
| 5. Tecla on/off                       | 16. Transformador                              |
| 6. Botão parar                        | 17. Espigas de arame                           |
| 7. Painel de controlo                 | 18. Fio de delimitação                         |
| 8. Manípulo                           | 19. Pregos de fixação da base de carga         |
| 9. Bateria carregável                 | 20. Medidor de distância do fio de delimitação |
| 10. Disco de rotação das lâminas      | 21. Chave hexagonal                            |
| 11. Roda dianteira                    | 22. Conector                                   |


## Dados técnicos

Tipo **KR100 (100-199 - designação da máquina, representante do robot corta-relva)**

Tensão nominal	20V $\overline{=}$ Max.*
Velocidade sem carga	2800/min
Área de corte	600m <sup>2</sup>
Diâmetro de corte	18cm
Altura de corte	30-60mm
Posições de altura de corte	4
Tipo de bateria	Lão de lítio
Modelo da bateria	KA0101
Tempo de carga approx.	2hrs
Tempo de carga	KA0200 / KA0201
Modelo do carregador	Entrada: 100-240V~50/60Hz, 38W, Saída: 20V, 1.5A
Peso da máquina	8.8kg
Grau de protecção	III
Aplicação	Y
Banda de frequência de módulo WLAN incorporado	2.412GHz-2.484GHz
Potência máx. de radiofrequência do módulo WLAN incorporado	802.11b:+16±2dBm(@11Mbps) 802.11g:+14±2dBm(@54Mbps) 802.11n:+13±2dBm(@HT20,MCS7)

\*Tensão medida sem carga de trabalho. A tensão inicial da bateria alcança um máximo de 20 volts. A tensão nominal é 18 volts.

# Ruído E Dados Técnicos

Uma pressão sonora ponderada	$L_{pA} = 47.6 \text{ dB (A)}, K_{pA} = 3.0 \text{ dB(A)}$
Uma potência sonora ponderada	$L_{wA} = 67.6 \text{ dB (A)}, K_{wA} = 3.0 \text{ dB(A)}$
Utilize protecção auditiva quando a pressão sonora for superior a.	80dB(A) 

Um nível de ruído vindo da máquina é inevitável. O curso de trabalho ruidoso deve ser licenciado e dentro de limites durante certos períodos. Cumpra os períodos de descanso, visto que podem necessitar de restringir as horas de trabalho ao mínimo. Para a sua própria proteção e para a proteção das pessoas que trabalham nas proximidades, deve ser utilizado um equipamento de proteção auditiva adequado.

## Acessórios

Parafusos	9
Base de carga	1
Pregos de fixação da base de carga	8
Fio de delimitação	150m
Espigas de arame	210
Chave hexagonal	1
Medidores de distância do fio de delimitação	2
Lâminas	9
Bateria (KA0101)	1
Carregador (KA0200 / KA0201)	1
Conector	2

Recomendamos a compra de acessórios genuínos indicados na lista acima na mesma loja onde comprou a ferramenta. Consulte a embalagem do acessório para obter mais informações. O pessoal da loja pode auxiliar e aconselhá-lo.

## Utilização conforme as disposições

Este produto é concebido para o corte de relva doméstico. Foi concebido para cortar relva frequentemente, mantendo uma relva mais saudável e com o melhor aspeto de sempre. Dependendo do tamanho da sua relva, o MissionNANO™ poderá ser programado para operar em qualquer altura ou frequência sem restrições. Não se destina a escavar, varrer ou limpar neve.

## Manutenção

O seu MissionNANO™ necessita de ser verificado periodicamente. O MissionNANO™ funciona intensamente e, após algum tempo, necessita de uma boa limpeza, bem como a substituição de algumas peças, pois estas podem desgastar-se. Nunca utilize o seu MissionNANO™ com o Interruptor Ligar/Desligar avariado.

Desligue a máquina antes de realizar qualquer reparação ou manutenção. Seguidamente queremos informá-lo de como cuidar do seu MissionNANO™.



# 1

## Mantenha-o afiado

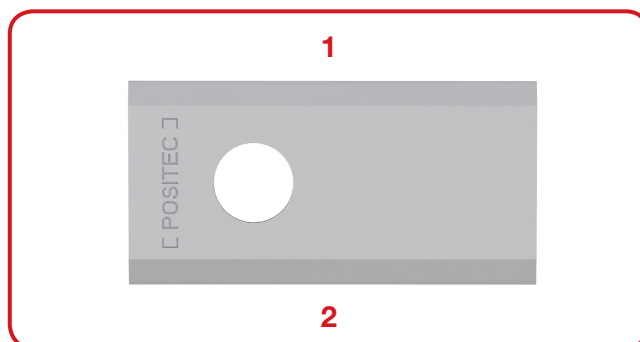


**AVISO:** Antes de limpar, ajustar ou substituir as lâminas, desligue o seu MissionNANO™ e coloque luvas de protecção.



**AVISO:** Quando encaixar lâminas novas, certifique-se de que substitui TODAS as lâminas. Utilize sempre parafusos novos quando encaixar as lâminas. Isto é importante por forma a assegurar a retenção da lâmina e equilibrar o disco de rotação da lâmina. Caso contrário, pode provocar lesões graves.

O MissionNANO™ não corta relva como outros cortadores de relva. As suas lâminas de corte são muito afiadas nos 2 cantos e giram em ambas as direcções para a máxima capacidade de corte. Cada lâmina do seu MissionNANO™ possui dois cantos de corte. O Disco de Rotação da Lâmina procederá à rotação de avanço e recuo aleatoriamente para utilizar ambas as arestas de corte. Isto ajuda a diminuir a frequência de substituição da lâmina de corte. Cada lâmina de corte dura até dois meses quando estiver programada para cortar a relva todos os dias. Verifique sempre se as lâminas estão lascadas ou danificadas e substitua-as se assim for. Quando as lâminas de corte estiverem danificadas e desgastadas devem ser substituídas por lâminas sobressalentes fornecidas com o seu MissionNANO™. Também se encontram disponíveis lâminas sobressalentes no seu distribuidor Kress mais próximo.



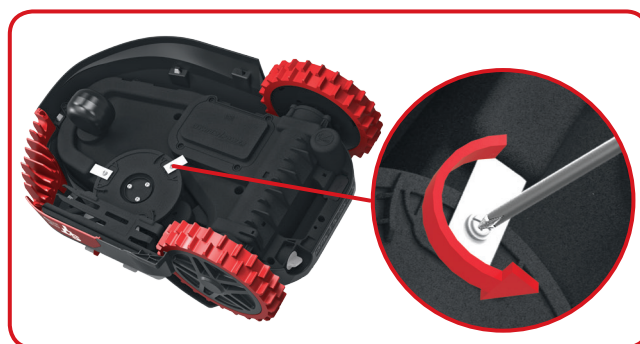
### A. Substitua as lâminas

Após algum tempo, normalmente a cada estação, as lâminas do seu MissionNANO™ irão necessitar de ser substituídas. Por isso, quando substituir as lâminas, certifique-se de que substitui todas ao mesmo tempo. Pode substituí-las com um dos kits de lâminas sobressalentes e parafusos extra fornecidos com o seu MissionNANO™.

Antes de tentar substituir as lâminas do seu MissionNANO™, desligue a alimentação e coloque luvas de protecção. Em seguida, siga estes passos:

1. Vire cuidadosamente o MissionNANO™ ao contrário
2. Retire a tampa da bateria e seguidamente a bateria.
3. Retire os parafusos das lâminas com uma chave de parafusos
4. Aparafuse firmemente as lâminas novas.
5. Encaixe novamente a bateria e a tampa da bateria.

**IMPORTANTE:** Após aparafusar a lâmina no disco das lâminas, certifique-se que a mesma consegue girar livremente.



# 2

## Mantenha-o limpo



**AVISO:** Antes de limpar, desligue o seu MissionNANO™. Coloque luvas de protecção antes de limpar o disco de rotação das lâminas e não utilize água corrente.

## A. Limpar o corpo

O seu MissionNANO™ terá uma vida útil maior e mais feliz se for limpo regularmente. Embora, como o seu MissionNANO™ é uma máquina eléctrica, irá necessitar de ter cuidado quando limpar, **por isso, NÃO utilize uma mangueira, lavadores de alta pressão ou verter água corrente no seu MissionNANO™**, é melhor utilizar um frasco pulverizador com água. Quando limpar o corpo da máquina, utilize uma escova suave ou um pano limpo e evite utilizar solventes ou polidores. Por último, certifique-se de que remove todos os pedaços de relva e detritos acumulados.



## B. Limpar a parte interior

De novo, é importante que desligue o seu MissionNANO™ **utilizando o botão ON/OFF e utilize luvas de protecção antes de tocar no disco de rotação das lâminas.**

Primeiro, vire o seu MissionNANO™ do avesso para expor a sua parte inferior. Aqui verá o disco das lâminas, o chassis, a roda dianteira e a roda de condução. Limpe tudo meticulosamente com uma escova suave ou um pano húmido.

130  
Pt



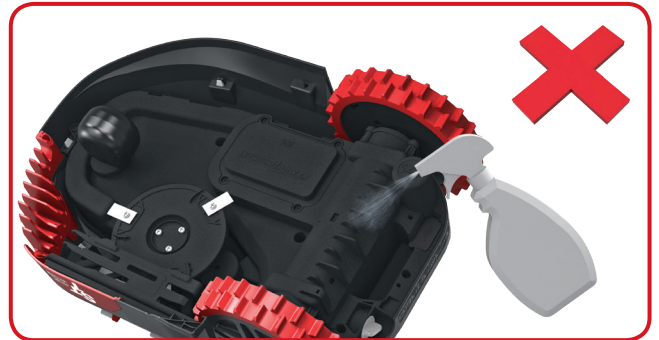
**AVISO: NUNCA limpe a parte inferior do MissionNANO™ com descarga de água.** Podem ocorrer danos nos componentes.

Rode o disco das lâminas para certificar-se de que se move livremente. Além disso, certifique-se de que as lâminas conseguem rodar livremente e que não existe relva a obstruí-las.

**IMPORTANTE: Retire quaisquer detritos alojados para que tal não provoque uma fenda no disco das lâminas. Mesmo a fenda mais pequena pode diminuir a capacidade de cortar a relva do seu MissionNANO™.**

## C. Limpar os pinos de contacto e tiras de carga

Limpe os pinos de contacto localizados na base de carga e a tira de carga localizada no MissionNANO™ utilizando um pano. Retire periodicamente quaisquer pedaços de relva ou detritos acumulados à volta dos pinos de contacto e das tiras de carga para garantir sempre carregamentos bem-sucedidos do MissionNANO™.



## 3

### Vida útil da bateria

O coração do MissionNANO™ é a sua bateria de íões de lítio de 20 volts. Para o armazenamento adequado da bateria, certifique-se de que se encontra totalmente carregada e mantida num local seco e fresco entre os -20°C-60°C.

**NOTA:** A temperatura de funcionamento recomendada do MissionNANO™ é entre 0-55°C.

A vida útil da bateria do MissionNANO™ depende de vários factores, tais como:

- O período de tempo da estação de corte de relva na sua região
- A quantidade de horas que o MissionNANO™ corta relva por dia
- Manutenção da bateria durante o armazenamento

O MissionNANO™ pode ser carregado manualmente sem o fio de delimitação.

1. Ligue a base de carga a uma fonte de alimentação adequada. A luz verde da Base de Carregamento liga.
2. Coloque manualmente o MissionNANO™ na base de carga enquanto o MissionNANO™ está desligado.
3. A luz verde da Base de Carregamento muda para vermelha. O MissionNANO™ irá começar a carregar.



## 4

### Armazenamento no Inverno

O seu MissionNANO™ terá uma vida útil maior e mais saudável se lhe for permitido hibernar. Mesmo que seja duro, recomendamos que guarde o seu MissionNANO™ no seu telheiro ou garagem durante o inverno. Antes de preparar o seu MissionNANO™ para o armazenamento no inverno, recomendamos que:

- Limpe meticulosamente o seu MissionNANO™
- Carregue totalmente a sua bateria
- Desligue a alimentação

Para maximizar a vida útil da bateria, recomendamos que carregue totalmente a bateria antes de armazenar durante o inverno.

**AVISO:** Proteja a parte inferior do MissionNANO™ contra água. **NUNCA** guarde o MissionNANO™ virado para baixo no caso de entrada de água.

O fio de delimitação pode ser deixado no solo, embora as suas extremidades devam ser protegidas, tais como serem colocadas numa lata com massa lubrificante. Se a base de carga for deixada no exterior durante o inverno, deixe o fio de delimitação ligado.

**NOTA:** Quando trouxer o MissionNANO™ de volta para o trabalho após o armazenamento no inverno, certifique-se de que as tiras de carga e os pinos de contacto estão limpos, é recomendado que se utilize uma tela de esmeril fina para limpar. Utilizando a aplicação, verifique se a data e a hora estão corretas e volte a enviar o MissionNANO™ à função que adora executar: cortar relva.

## 5

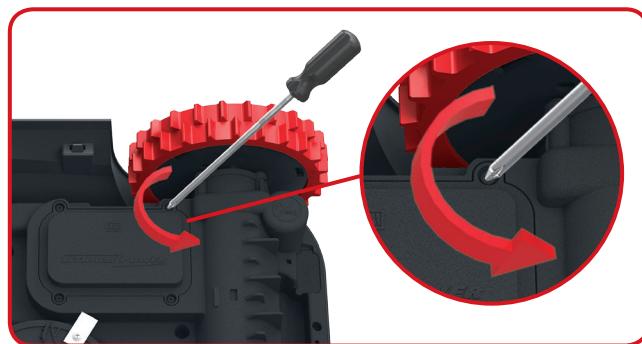
### Substituição da bateria

**AVISO:** Desligue a alimentação antes de tentar qualquer ajuste, substituição ou reparação.

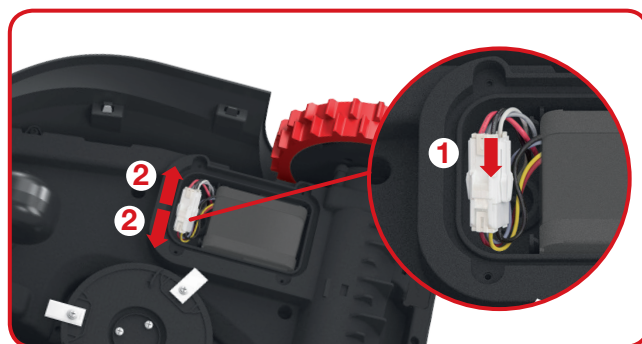
Antes de substituir as lâminas, desligue o seu MissionNANO™ e coloque luvas de protecção.

Se necessitar de substituir a bateria, siga estes passos:

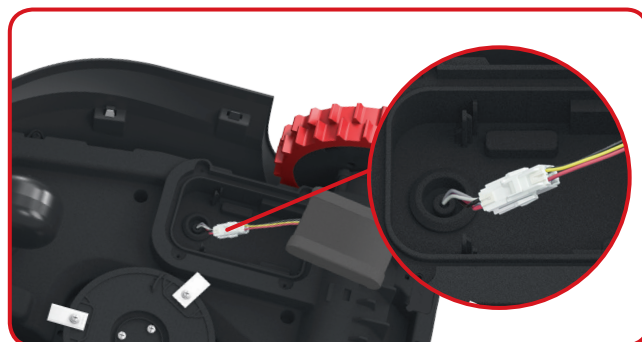
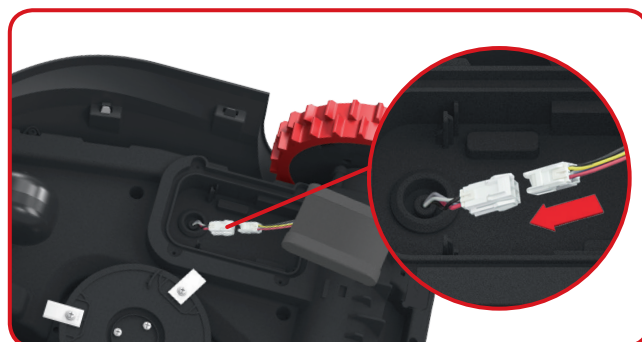
1. Vire cuidadosamente o seu MissionNANO™ do avesso.
2. Retire os parafusos na tampa da bateria. Remova a tampa da bateria.



3. Retire cuidadosamente a bateria usada. Pressione a lingueta e solte as fichas. **NOTA:** Não puxe pelos cabos. Segure os conectores e solte o fecho.



4. Ligue uma nova bateria original unido os conectores entre si até ficarem bloqueados na devida posição.



5. Instale a bateria conforme ilustrado. Coloque novamente a tampa na respetiva posição e encaixe firmemente os parafusos.




# Resolução de problemas de instalação

Se o seu MissionNANO™ não funcionar corretamente siga o guia de resolução de problemas seguinte. Se a avaria persistir, contacte o seu distribuidor.

Sintoma	Causa	Solução
A luz LED na estação de carga não liga.	Não existe potência.	Verifique se o cabo de alimentação está liga de forma adequada ao carregador e se o carregador está ligado a uma fonte de alimentação indicada.
Luz verde intermitente na base de carregamento.	O fio de delimitação não está ligado.	Verifique se o Arame de Limite foi ligado de forma correta à base de carregamento. Verifique se não existem intervalos no arame de limite, especialmente nas extremidades do fio.
O seu MissionNANO™ está dentro do seu território e o fio de delimitação está ligado. A luz indicadora de erro pisca a vermelho.	As extremidades do arame de limite estão fixadas de forma incorreta.	Inverta as extremidades do arame de limite.
O MissionNANO™ não pode ser corretamente acoplado à base de carregamento.	Influências ambientais	Reiniciar o MissionNANO™.
	Má ligação causada pelos resíduos na Faixa de Carregamento.	Limpe os Pino de Contacto localizados na Base de Carregamento e na Faixa de Carregamento no MissionNANO™ utilizando um pano.
O MissionNANO™ está a sair da área do fio de delimitação. MissionNANO™ não corta uma área dentro da zona do arame de limite. MissionNANO™ inverte ou roda de forma irregular junto ao arame de limite.	O fio de delimitação de outro MissionNANO™ ou um cortador de relva robótico de outra marca está posicionado demasiado próximo.	Certifique-se de que o fio de delimitação do seu MissionNANO™ possui pelo menos 1m de espaço entre o fio de delimitação adjacente.
	O fio de delimitação foi instalado com cantos afiados.	Verifique o fio de delimitação para assegurar que os cantos são suaves.
	Em condições de terreno molhado, o sinal elétrico do arame de limite pode verter para onde o arame foi unido ou reparado.	Verifique as juntas do arame de limite. Isole para fornecer uma ligação à prova de água.
	Existe uma fuga do sinal elétrico do arame de limite devido à danificação de um isolamento.	Proceda à reparação do isolamento do fio de delimitação danificado com connectors.
	A área de corte é maior que a área de corte permitida para o MissionNANO™.	Diminua a área de corte.
O MissionNANO™ sai do fio de delimitação devido a velocidade elevada quando desce um sulco.	O fio de delimitação é colocado numa inclinação superior a 17% (10°).	Reposicione o fio de delimitação longe das inclinações com acentuação superior a 17% (10°).

# Protecção ambiental

 Os equipamentos eléctricos não devem ser despositados com o lixo doméstico. Se existirem instalações adequadas deve reciclá-los. Consulte a sua autoridade local para tratamento de lixos ou fornecedor para obter aconselhamento sobre reciclagem.

## Declaração de conformidade

My,  
Positec Germany GmbH  
Grüner Weg 10, 50825 Cologne, Germany

Declaramos que o produto,  
Descrição **Robot cortador de relva**  
Tipo **KR100 (100-199 - designação da máquina, representante do robot corta-relva) (O ano, o número do artigo e o mês do número de série são inscritos no verso da página. O número de série completo encontra-se descrito claramente na caixa do cortador de relva) com o carregador de baterias KA0200 / KA0201 e a base de carregamento KA0070**  
Função **Cortar relva**

Em conformidade com as seguintes directivas,  
**2006/42/EC, 2014/30/EU, 2014/35/EU, 2011/65/EU, 2000/14/EC alterada pela 2005/88/EC, 2014/53/EU**

**134**

**Pt**

2000/14/EC alterada pela 2005/88/EC

- Procedimento de avaliação de conformidade consoante	<b>Anexo V</b>
- Nível de potência sonora medido	<b>67.6 dB (A)</b>
- Nível de potência sonora garantido declarado	<b>68 dB (A)</b>

Normas em conformidade com,  
**EN 60335-1:2012+A11:2014, EN 50636-2-107:2015, EN 60335-2-29:2004+A2:2010, EN 62233:2008, EN ISO 3744:2005, EN 55014-1:2006+A1:2009+A2:2011, EN 61000-3-2:2014, EN 61000-3-3:2013, EN 55014-2:2015, EN 61558-1:2005+A1:2009, EN 61558-2-16:2009+A1:2013, EN 300 328 V2.1.1, EN 301 489-1 V2.1.1, EN 301 489-17 V3.1.1, EN 62311:2008**

A pessoa autorizada a compilar o ficheiro técnico,

**Meno** **Marcel Filz**

**Adresa** **Positec Germany GmbH, Grüner Weg 10, 50825 Cologne, Germany**



2018/02/09

Allen Ding

Engenheiro-chefe adjunto, Teste e Certificação

Positec Technology (China) Co., Ltd.

18, Dongwang Road, Suzhou Industrial

Park, Jiangsu 215123, P. R. China

# Biztonsági óvintézkedések

## Általános & kiegészítő biztonsági óvintézkedések



**FIGYELEM:** Olvasson el minden biztonsági figyelmeztetést és valamennyi utasítást. A figyelmeztetések és utasítások figyelmen kívül hatása áramütést, tüzet és/vagy súlyos sérülést eredményezhet.

**A készülék biztonságos működtetése érdekében figyelmesen olvassa el az utasításokat.**

**Őrizzen meg minden figyelmeztetést és utasítást, a jövőben szüksége lehet ezekre.**

- Ez a készülék nincs arra előirányozva, hogy azt olyan személyek (beleértve a gyerekeket) használják, akiknek a fizikai, érzelmi, vagy értelmi képességeik korlátozottak, vagy nincsenek meg a megfelelő tapasztalataik, illetve tudásuk, kiveve ha az ilyen személyekre a biztonságukért felelős más személy felügyel, vagy utasításokat ad arra, hogyan kell használni a készüléket.
- Gyerekeket nem szabad a készülékkel felügyelet nélkül hagyni, nehogy a készülékkel játsszanak.
- A készülék kizárólag a vele együtt szállított táppal használható.

## FONTOS

**HASZNÁLAT ELŐTT FIGYELMESEN OLVASSA EL ŐRIZZE MEG, KÉSŐBB SZÜKSÉGE LEHET RÁ**

### A biztonságos működtetés gyakorlata Tájékoztató

- a) Figyelmesen olvassa el az utasításokat. Győződjön meg arról, hogy megértette az utasításokat, és hogy megbarátkozott a vezérlésekkel és a gép megfelelő használatával;
- b) Soha ne hagyja, hogy a fűnyírót olyan gyermekek vagy felnőttek használják, akik nem ismerik ezeket az utasításokat. A helyi szabályozások korlátozhatják a működtető életkorát;
- c) A más személyek által elszenvedett balesetekért, illetve a más tulajdonában keletkezett károkat a kezelő vagy a felhasználó felel.

## Előkészületek

- a) Bizonyosodjon meg a behatároló huzal előírás szerű telepítéséről.
- b) Időnként vizsgálja meg a gép számára kijelölt munkavégzési övezetet, és távolítsa el a köveket, ágakat, huzalmaradványokat, csontokat és idegen tárgyakat.

- c) Időnként vizuálisan ellenőrizze a kések, a késrögzítő csavarok és a fűnyíró részegység állapotát, kopás vagy károsodás jeleit keresve. A kopott vagy sérült késeket és csavarokat az egyensúly megőrzése végett mindig párban cserélje.
- d) Többkéses készülékek esetében figyeljen arra, hogy az egyik kést elforgatva a többi kés is forogni kezdhet.
- e) FIGYELEM! A fűnyíró robotot nem szabad védők nélkül működtetni.

## Előkészületek

### 1. Általánosságok

- a) Soha ne működtesse a fűnyírót, ha a védője megsérült, illetve a biztonsági eszközök, például terelők és/vagy fűtartályok nélkül.
- b) A kezeit és a lábait soha ne tegye a forgó alkatrészek közelébe vagy azok alá. Maradjon távol az üritőnyílástól;
- c) Soha ne emelje fel és soha ne vigye a kerti kiegészítő motorral;
- d) Távolítsa el a gépről a leltető szerkezetet.
  - a beékelődések elhárítása előtt,;
  - mielőtt a kerti kiegészítő ellenőrizné, megtisztítaná vagy azon valamilyen munkát végezne.
- e) Tilos a robotizált fűnyírógép eredeti konstrukciójának a módosítása. Minden módosítás az ön saját kockázatára történik.
- f) A robotizált fűnyírót az utasításoknak megfelelően indítsa el. A kezeit és a lábait soha ne tegye a fűnyírógép alá.
- g) A robotizált fűnyírógép munkavégzési viselkedését nem ismerő személyeknek ne engedélyezze a gép használatát.
- h) Semmit se helyezzen a robotizált fűnyírógépre vagy töltőbázisára.
- i) Tiltsa meg a robotizált fűnyírógép használatát, ha a késtárcsa vagy a készülékház károsodott. A gépet sérült tárcsákkal, csavarokkal, anyákkal vagy kábelekkel sem szabad használni.
- j) Ha nem szándékszik használni a robotizált gépet, ne feledje mindig kikapcsolni.
- k) Tartsa távol a kezeit és a lábait a forgó késektől. A kezeit és a lábait soha ne helyezze a működésben levő robotizált fűnyíró készülékházának a közelébe vagy a készülékház alá.
- l) El kell kerülni a gép és perifériáinak rossz időben való használatát, főleg akkor, amikor fennáll a villámlás veszélye.
- m) Azok teljes leállása előtt soha ne érintse meg a sérüléseket okozható, mozgó alkatrészeket.

### 2. Kiegészítő figyelmeztetés automatikusan működő gép esetén

- a) Ne hagyja felügyelet nélkül a működő gépet,

ha a gép közelében háziállatok, gyerekek vagy személyek találhatók.

## Karbantartás és tárolás



**FIGYELEM! Ha a gép szervizelés, ellenőrzés, tárolás vagy késcseré miatt le van állítva, vegye ki a kulcsot a gépből, és bizonyosodjon meg, hogy a kések teljesen leálltak.**

- Gondoskodjon arról, hogy valamennyi anya, csapszeg és csavar biztonságosan rögzítve legyen, hogy garantálhassa a kerti kisgép biztonságos munkavégzési állapotát;
- Hetente ellenőrizze a robotizált fűnyírógépet, és a munkavégzés biztonsága érdekében cserélje ki az elhasználódott vagy megrongálódott alkatrészeket.
- Elsősorban a kések és a késtárcsák hibátlan állapotát ellenőrizze. Minden kést és csavart egyszerre cseréljen ki, hogy megmaradjon a forgó részegységek egyensúlya.
- Gondoskodjon arról, hogy a cserekések a megfelelő típusúak legyenek;
- Gondoskodjon arról, hogy az akkumulátorok újratöltése a gyártó által ajánlott töltővel történjen. Az akkuk helytelen használata áramütést, túlmelegedést vagy korrozív elektrolit folyadék szivárgást eredményezhet;
- Ha az elektrolit a testrészeire került, bő vízzel vagy semlegesítő szerrel mossa le magáról, ha pedig a szemébe került, forduljon orvoshoz;
- A gép szervizelését a gyártó utasításai szerint kell végrehajtani.

## Jótanács

A gépet és/vagy annak perifériáit olyan tápfeszültségi hálózatra csatlakoztassa, amelyet olyan maradékáram működtetésű megszakító kapcsoló (RCD) véd, amelynek a küszöbárama nem haladja meg a 30 mA-t.

## Reziduális veszélyek

A sérülések elkerülése végett, az élek cseréjekor viseljen speciális védőkesztyűt.

## Szállítás

A robotizált fűnyírógép nagy távolságokra való szállítására az eredeti csomagolást kell használni. A gépet csak akkor költöztetheti biztonságosan a munkavégzés területén belül vagy azon kívülre, ha az alábbiakat teszi:

- Nyomja meg a STOP gombot, hogy leállítsa a fűnyírógépet.
- Ha a fűnyírógépet kézzel akarja költöztetni, előzőleg mindig kapcsolja ki.
- A fűnyírógépet a gép alatt hátul található fogantyú

megragadásával hordozza. Miközben hordozza, tartsa távol a testrészeitől a gép késtárcsáját.

## A gép akkucsomagjára vonatkozó biztonsági figyelmeztetések

- Az akkumulátort ne szedje szét, ne nyissa fel és ne vágja meg.
- Ne zárja rövidre az akkumulátort. Az akkumulátorokat ne tárolja olyan dobozban vagy fiókban, ahol rövidre zárhatják egymást, vagy valamilyen vezető anyag a rövidzárlatukat okozhatja. Az akkumulátorokat használaton kívül tartsa a fémtárgyaktól, például gemkapcsoktól, pénzérméktől, kulcsoktól, szögektől, csavaroktól vagy más kis fémtárgyaktól távol, mert ezek összekapcsolhatják a pólusokat. Az akkumulátor pólusainak rövidzárlata égés- és tűzveszélyes.
- Ne tegye ki hőnek vagy tűznek az akkumulátort. Ne tárolja közvetlen napfényben.
- Az akkumulátort ne tegye ki ütésnek.
- Ha az akkumulátor szivárog, vigyázzon, hogy a folyadék ne kerüljön a bőrre vagy szembe. Amennyiben a bőrre vagy szembe kerül, az érintett területet mossa le bő vízzel, és forduljon orvoshoz.
- Az akkumulátor vagy egy cella lenyelése esetén azonnal forduljon orvoshoz.
- Vigyázzon, hogy az akkumulátor tiszta és száraz maradjon.
- Az akkumulátor szobahőmérsékleten ( $20\text{ °C} \pm 5\text{ °C}$ ) használva nyújtja a legjobb teljesítményt.
- Az akkumulátorok ártalmatlanításakor a különböző elektrokémiai rendszereket különítse el egymástól.
- Csak a Kress által javasolt töltővel töltsen fel. Kizárólag a készülékhez való használatra mellékelt töltőt használja. Ha egy adott akkumulátorhoz megfelelő töltőt másik akkumulátorral használ, az tűzveszélyes lehet.
- Ne használjon a készülékkel való használatra tervezettől eltérő akkumulátort.
- Az akkumulátor gyermekektől távol tartandó.
- Őrizze meg a termékhez mellékelt utasításokat, a későbbiekben szüksége lehet ezekre.
- Ártalmatlanításnál megfelelően járjon el.



# Szimbólumok



**FIGYELEM** – Helytelen használat esetén a robotizált fűnyírógép veszélyessé válhat.

Alaposan olvassa át a Felhasználói kézikönyvet és értse meg a tartalmát mielőtt a robotizált fűnyírógépet használatba venné.



**FIGYELEM** - Munka közben tartson biztonságos távolságot a kerti kiszéptől.



**FIGYELEM** – A gépen való beavatkozások vagy a gép felemelése előtt távolítsa el a letiltó szerkezetet.



**FIGYELEM** –Ne üljön a gépre.



III. Érintésvédelmi osztályú készülék



A leselejtezett elektromos készülékek nem dobhatók a háztartási szemét közé. Ha a közelben van elektromos hulladékok gyűjtő központ, vigye oda a gépet. Az újrahasznosítási lehetőségekről tájékozódjon a helyi hatóságoknál vagy a kereskedőnél.



Az elemeket ne dobja ki, a lemerült elemeket vigye a helyi gyűjtő- vagy újrahasznosító pontokra.



Ne dobja tűzbe

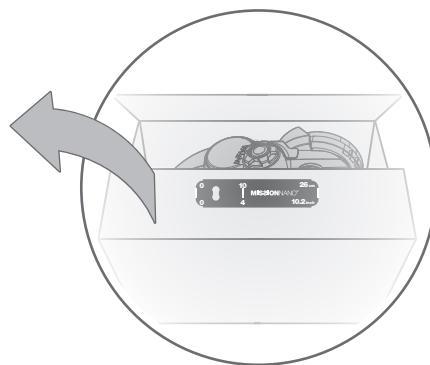
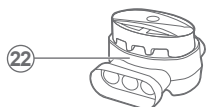
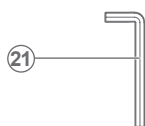
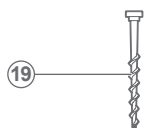
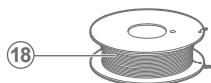
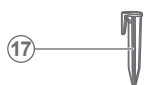
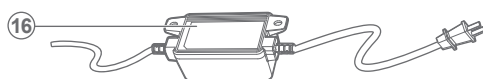
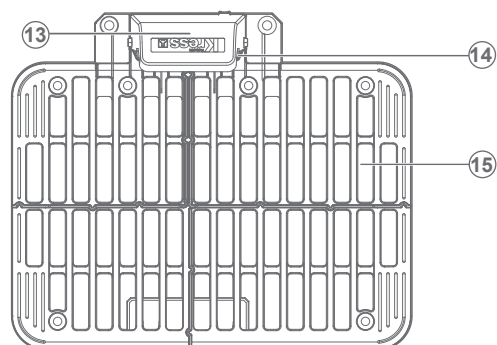
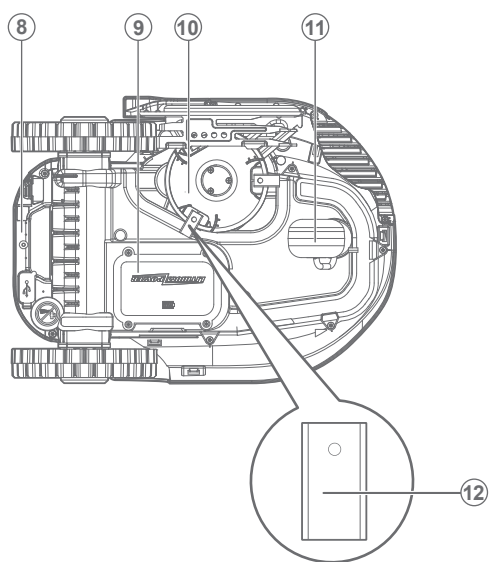
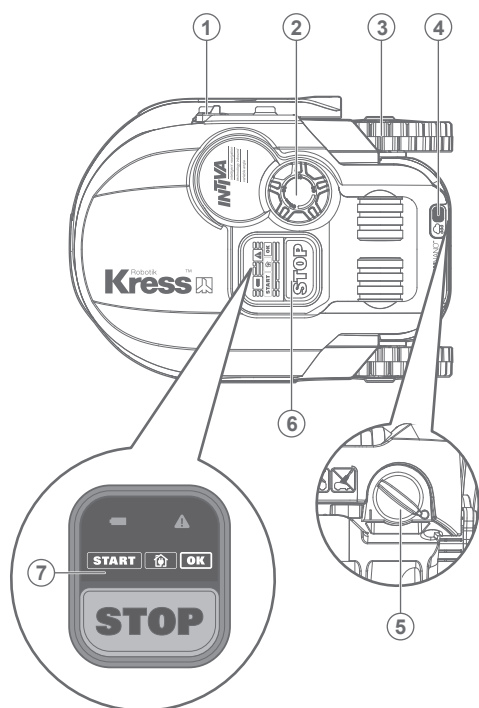


Ne tegye ki esőnek vagy víznek.



A gépet ne mossa magasnyomású mosóval!

# Alkatrészlista



- |                                       |                                |
|---------------------------------------|--------------------------------|
| 1. Töltőcsík                          | 12. Vágóél                     |
| 2. Vágási magasságot állító forgógomb | 13. Védőburkolatának           |
| 3. Hátsó meghajtó kerék               | 14. Csatlakoztató csapok       |
| 4. Esőérzékelő                        | 15. Töltőbázis                 |
| 5. On/off (be-/kikapcsoló) gomb       | 16. Hálózati adapter           |
| 6. Stop gomb                          | 17. Huzalrögzítő szegek        |
| 7. A vezérlőpult                      | 18. Behatároló huzal           |
| 8. Fogantyú                           | 19. Töltőbázist rögzítő csapok |
| 9. Akkumulátor                        | 20. Hosszmérő eszköz           |
| 10. Késforgató tárcsa                 | 21. Hex. Kulcs                 |
| 11. Elülső kerék                      | 22. Csatlakozó                 |


## Műszaki adatok

Típus **KR100 (100-199 - a készülék jelölése, azaz a robotizált fűnyírógépe)**

Névleges feszültség	20V $\overline{\text{---}}$ Max.*
Üresjárat sebesség	2800/min
Vágási felület	600m <sup>2</sup>
Vágási átmérő	18cm
Vágásmagasság	30-60mm
Vágásmagasság beállítások	4
Akkumulátor típusa	Lítium-ion
Akkumulátor típusjelzése	KA0101
Töltési idő Kb.	2óra
Töltő típusjelzése	KA0200 / KA0201
Töltő besorolása	Bemenet: 100-240V~50/60Hz, 38W, Kimenet: 20V, 1.5A
A készülék súlya	8.8kg
Védelmi osztály	III
Alkalmazás	Y
A beépített WLAN-modul frekvenciasávja	2.412GHz-2.484GHz
A beépített WLAN-modul rádiófrekvenciás max. teljesítménye	802.11b:+16±2dBm(@11Mbps) 802.11g:+14±2dBm(@54Mbps) 802.11n:+13±2dBm(@HT20,MCS7)

\*Terhelés nélküli feszültség. Az akkumulátor kezdő feszültsége maximum 20 volt. A névleges feszültség 18 volt.

# Zajszint és műszaki adatok

A-súlyozású hangnyomásszint	$L_{pA} = 47.6 \text{ dB (A)}, K_{pA} = 3.0 \text{ dB(A)}$
A-súlyozású hangerő	$L_{wA} = 67.6 \text{ dB (A)}, K_{wA} = 3.0 \text{ dB(A)}$
Ha a hangnyomásszint meghaladja a 80 dB (A)-t, viseljen hallásvédőt.	80dB(A) 

A gép működése közben egy bizonyos fokú zaj hallható, és ez nem kerülhető el. A zajos utcai munkálatokat azonban el kell kerülni és bizonyos időpontok között korlátozni kell. Még akkor is tartsa be a csendórákat, ha azok a munkavégzési órákat a minimálisra csökkentik. Az egészségük megóvása érdekében, a kezelőnek és a közelben dolgozóknak megfelelő hallásvédő eszközöket kell viselniük.

## Tartozékok

Csavar	9
Töltőbázis	1
Töltőbázist rögzítő szeg	8
Elkerítő huzal	150m
Kábelrögzítő szeg	210
Hex. Kulcs	1
Az elkerítő huzal távolságát mérő eszköz	2
Kés	9
Akkumulátor (KA0101)	1
Akkumulátortöltő (KA0200 / KA0201)	1
Csatlakozó	2

140  
Hu

Mi azt ajánljuk, hogy a fent felsorolt eredeti tartozékokat a készüléket forgalmazó boltból vásárolja meg. További részleteket a tartozék csomagolásán talál. Kérjen segítséget és tanácsot a bolti eladótól.

## Rendeltetés

A termék háztartási használatú fűnyírásra alkalmas. Ezt a gépet gyakori fűnyírásra tervezték és így az ön pázsitja egészségesebben és jobban fog kinézni. A pázsitos felület méretétől függően ezt a MissionNANO™ robotot korlátlan gyakoriságú és időpontú működésre lehet programozni. Ez a gép nem való ásásra, sepregetésre vagy hóeltakarításra.

## Karbantartás

MissionNANO™ gépét időnként ellenőrizni kell. A MissionNANO™ gép keményen dolgozik és ezért egy idő után alapos tisztításra és egyes kopott alkatrészek cseréjére szolgál. Soha ne használja meghibásodott On/Off (Be-/Kikapcsolás) gombbal a MissionNANO™.

Bármilyen szervizelési vagy karbantartási beavatkozás előtt kapcsolja ki a gépet.

A következőkben segíteni akarunk önnek MissionNANO™ gépe megfelelő karbantartásában.

# 1

## A kések élének megőrzése

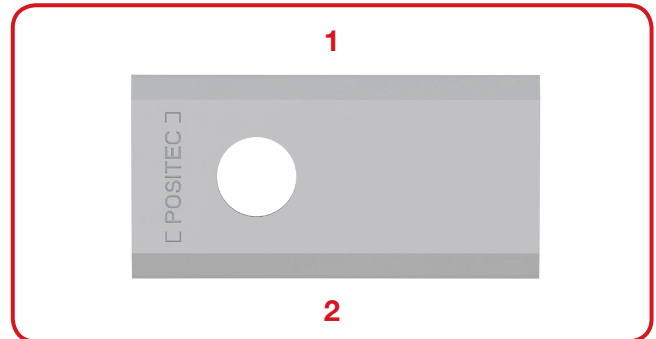


**FIGYELEM:** Tisztítás, beállítás vagy késcsere előtt mindig kapcsolja ki (OFF) MissionNANO™ gépet, és mindig viseljen védőkesztyűket.



**FIGYELEM:** Az új kések beillesztésekor ügyeljen arra, hogy az ÖSSZES kést kicserélje. Az új kések beillesztésekor azokat új csavarokkal rögzítse. Ez egy nagyon fontos követelmény az él megfelelő rögzítése és az élforgató tárcsa egyensúlya szempontjából. Ha a csavarok nem újak, súlyos sérülések történhetnek.

Ez a MissionNANO™ gép a többi fűnyírógéptől eltérő módon nyírja a fűvet. Fűnyíró kései mindkét oldalon borotvaélesek, és a maximális fűnyírási kapacitás érdekében mindkét irányba elfordulnak. Az ön MissionNANO™ gépében található késeknek 2 vágóélük van. Mindkét vágóél használata érdekében a kések forgótárcsa találomszerűen fog előre vagy visszafelé forogni. Az előbbi funkcióknak köszönhetően csökkent a vágóélek cseréjének gyakorisága. Ha a gép napi fűnyírásra van programozva, az egyes kések éle 2 hónapig fog tartani. Folyamatosan ellenőrizze a kések állapotát, és ha azok csorbák vagy sérültek, cserélje ki őket. Ha a kések tompává és kopottá váltak, azokat a MissionNANO™ gépéhez mellékelt cserekésekre kell cserélni. Cserekéseket azonban legközelebbi Kress forgalmazójánál is talál.



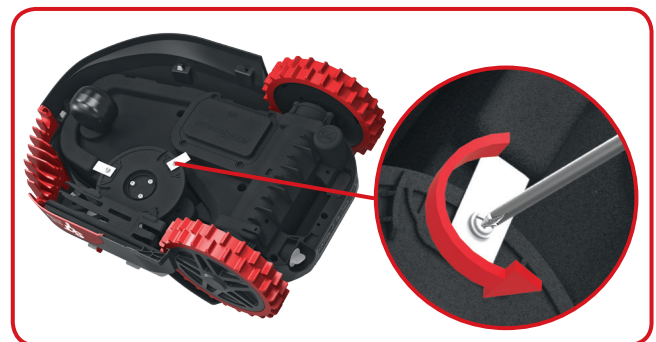
## A kések cseréje

Bizonyos idő után, általában minden szezonban, a MissionNANO™ gép késeit ki kell cserélni. Ezért mi azt ajánljuk, hogy az összes kést egyidőben cserélje ki. Ehhez felhasználhatja a MissionNANO™ géphez mellékelt cserekészlet egyikét, és a mellékelt késrögzítő csavarokat.

A MissionNANO™ gép késeinek cseréje előtt kapcsolja ki a gép áramellátását, és húzzon védőkesztyűket. Ezután kövesse az alábbi lépéseket:

1. Finoman fordítsa fel a MissionNANO™ gépet.
2. Távolítsa el az akkucsomag fedelét és vegye ki az akkucsomagot.
3. Csavarozza ki a késrögzítő csavarokat egy csavarhúzóval.
4. Rögzítse jól az új késeket az új csavarokkal.
5. Helyezze vissza az akkucsomagot és az akkurekesz fedelét.

**FONTOS:** a kés késtárcsára való csavarozása után bizonyosodjon meg, hogy a kés akadálymentesen tud forogni.



# 2

## A robotizált gép tisztán tartása



**FIGYELEM:** Tisztítás előtt mindig kapcsolja ki (OFF) a MissionNANO™ gépet. A késforgató tárcsa tisztítása előtt húzzon védőkesztyűket és ne használjon csapvizet.

## A. Készülékház tisztítása

MissionNANO™ gép boldogabb lesz és többet fog élni, ha rendszeresen megtisztítják. Mivel MissionNANO™ gépe elektromos, a tisztítását óvatosan kell végezni. **Ezért NE használjon tömlőt, magasnyomású mosókat vagy folyóvizet MissionNANO™ gépe tisztításához.** A legmegfelelőbb a vízzel töltött sprayező műanyag flakon. A készülékház tisztításához egy puha kefért vagy egy rongyot is használhat, de ne használjon oldószereket vagy tisztítószereket. Végezetül pedig, ügyeljen arra, hogy minden gépre rakódott fűszál és hulladék el legyen távolítva.



## B. A robotizált fűnyírógép aljának tisztítása

Emlékeztetjük, hogy most is fontos a MissionNANO™ gép áramellátásának a megszakítása (OFF) az ON/Off gomb segítségével, és a védőkesztyűk viselete. Ezen előfeltételek nélkül ne érintse meg a késforgató tárcsát.

Ahhoz hogy hozzáférjen az aljához, először fordítsa fel a MissionNANO™ gépet. Ily módon láthatóvá válnak a következők: a késtárcsa, az alváz, az elülső kerék és a meghajtó kerekek. Egy puha kefével vagy egy puha ronggyal alaposan tisztítsa meg minden alkotóelemet.

142

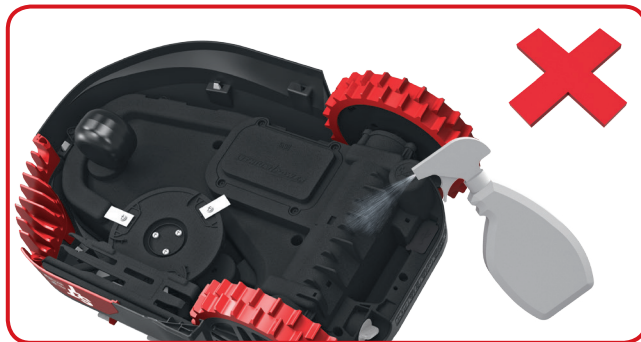
Hu



**FIGYELEM: A MissionNANO™ gép alját SOHA ne tisztítsa vízsugárral,**

mert bizonyos alkotóelemek megkárosodhatnak. Forgassa meg a késtárcsát, hogy meggyőződjön annak akadálymentes forgásáról. Ellenőrizze, hogy a kések akadálytalanul forognak-e a rögzítő csavarok tengelye körül. Ha léteznek, távolítsa el az akadályokat.

**FONTOS: Távolítsa el minden beakadt hulladékot, nehogy a késtárcsa megsérüljön tőlük. A legkisebb repedés is csökkenti MissionNANO™ gépének fűnyírási teljesítményét.**



## C. A csatlakoztató csapok és a töltőcsíkok tisztítása

Tisztítsa meg a töltőbázison található csatlakoztató csapokat és a MissionNANO™ gépen található töltőcsíkokat. Rendszeresen távolítsa el a csatlakoztató csapokra és a töltőcsíkokra rakódott fűszálakat és mocskot, hogy mindig sikerüljön feltölteni a MissionNANO™ gép akkuját.

# 3

## Az akkucsomag élettartama

A MissionNANO™ gép “lelke” a 20 voltos lítium-ion akkucsomag. Az akkumulátort teljesen feltöltött állapotban, hűvös és száraz helyen kell tárolni (-20-60°C között).

**MEGJ.:** A MissionNANO™ gép ajánlott üzemeltetési hőmérséklet-tartománya 0-55°C között található.

A MissionNANO™ gép akkumulátorának élettartama különféle tényezőktől függ, és ezek a következők:

- Milyen évszakokra esik a fűnyírás szezon az Ön régiójában,
- A MissionNANO™ napi üzemóráinak számától
- Az akkumulátor tárolás közbeni gondozásáról.

## A MissionNANO™ gépet behatároló huzal nélkül, manuálisan is fel lehet tölteni.

1. Csatlakoztassa a töltőbázist egy megfelelő áramforráshoz. Felgyullad a töltőbázis zöld fényű lámpája.
2. Miután kikapcsolta, a MissionNANO™ gépet helyezze kézzel a töltőbázisába.
3. A töltőbázis zöld fényű lámpája piros színre vált. Ezek után elkezdődik az akku feltöltése.



# 4

## Téli tárolás

MissionNANO™ gépe többet és hibamentesebben “él”, ha télen “hibernálhat”. Habár nagyon robusztus, mi mégis azt ajánljuk, hogy télen MissionNANO™ gépet kerti barakkjában vagy garázsában tárolja.

Mielőtt MissionNANO™ gépet téli hibernálásra viszi, azt ajánljuk, hogy végezze el a következőket:

- Alaposan tisztítsa meg a gépet
- Teljesen töltsse fel az akkumulátort
- Szüntesse meg a gép áramellátását

A téli tárolás előtti teljes akkufeltöltés meghosszabbítja az akkumulátor élettartamát.

**⚠ FIGYELEM: Óvja a víztől a MissionNANO™ gép alját. SOHA ne fordítsa fel és ne tárolja úgy a MissionNANO™ gépet, ha víz hatolt bele.**

A behatároló huzalt a talajon lehet hagyni, de a huzal végeit oltalmazni kell és egy zsírral teli dobozba érdemes dugni. Ha a töltőbázist télen is kint hagyja, hagyja csatlakoztatva a területetároló huzalt.

**MEGJEGYZÉS:** Amint megszünteti a MissionNANO™ gép téli hibernálását és ismét munkába állítja, győződjön meg a töltőcsíkok és a csatlakoztató csapok tiszta mivoltáról. Ha szükséges, tisztítsa meg őket egy finom szemcséjű csiszolóvászonnal. Az alkalmazás használata során győződjön meg arról, hogy a beállított dátum és időpont helyes, majd a MissionNANO™ gépet küldje kedvenc feladatának a végrehajtására, azaz küldje fűvet nyírni.

# 5

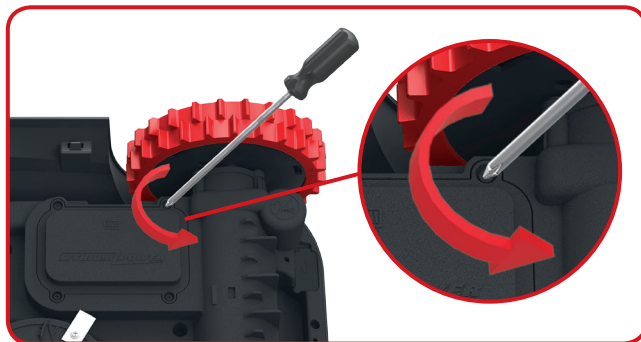
## Akkucsere

**⚠ FIGYELEM: Mindennemű beállítás, csere vagy javítás előtt nyomja meg az ON/OFF gombot, és állítsa az Off (Kikapcsolva) pozícióba.**

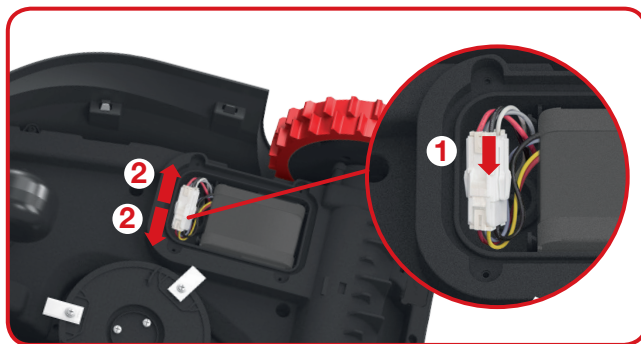
**Beállítás vagy késcsere előtt mindig kapcsolja ki (OFF) MissionNANO™ gépet, és mindig viseljen védőkesztyűket.**

Ha akkucserére van szükség, kövesse az alábbi lépéseket:

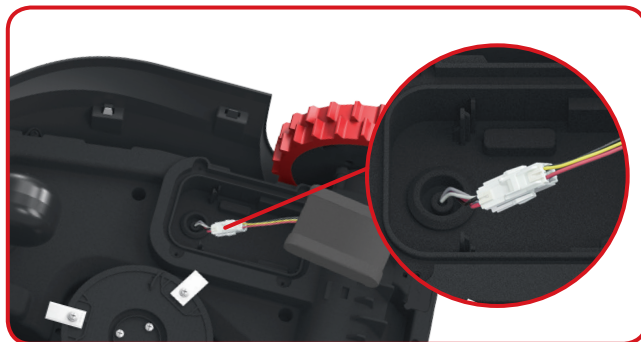
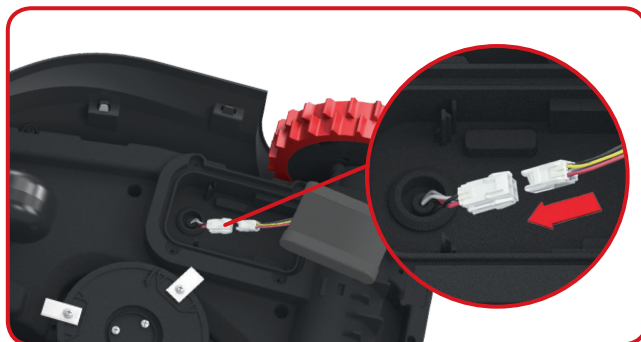
1. Finoman fordítsa fel a MissionNANO™ gépet.
2. Csavarozza ki az akkurekesz fedelét rögzítő csavart. Távolítsa el a az akku fedelét.



3. Óvatosan emelje ki a régi akkut.  
Nyomja meg a retesz nyelvét és oldja a csatlakozókat.  
**MEGJEGYZÉS:** Ne ráncigálja a kábeleket.  
Fogja meg a csatlakozókat és úgy oldja a kapcsot.



4. Csatlakoztasson egy eredeti új akkut a csatlakozók beretesztelt pozícióba való illesztésével.



5. Illessze be az akkut az ábrán látható módon  
Helyezze vissza a fedelet és húzza meg jól a rögzítő csavarokat.






# Telepítési hibakeresés

Ha MissionNANO™ gépe rendellenesen működik, nézze át ezt a Hibakeresési útmutatót. Ha a rendellenesség továbbra is fennáll, lépjen kapcsolatba a gép forgalmazójával.

Tünet	Ok	Teendő
A töltőbázison található LED nem gyullad fel.	Nincs áramellátás.	Ellenőrizze a tápkábel csatlakoztatását a töltőhöz és a töltő csatlakoztatását egy megfelelő áramforráshoz.
A töltőbázis LED-je zöld fénnel villog.	A behatároló huzalt nem csatlakoztatták.	Ellenőrizze a behatároló huzal megfelelő csatlakoztatását a töltőbázishoz. Ellenőrizze a behatároló huzal épségét, nehogy valahol meg legyen szakadva, főleg a huzal végeinél.
MissionNANO™ gépe a munkavégzés övezetén belül tartózkodik és a behatároló huzalt is csatlakoztatták, de a hibajelző lámpa mégis piros fénnel villog.	A behatároló huzal végei fordítva vannak befogva a kapcsokba.	Cserélje fel a behatároló huzal végeit.
A MissionNANO™ gép nem tud helyesen csatlakozni a töltőbázisához.	Környezeti behatások.	Indítsa újra a MissionNANO™ gépet.
	Gyenge érintkezés a töltőcsíkra rakódott hulladékok miatt.	Tisztítsa meg egy ronggyal a töltőbázison található érintkező csapokat és a MissionNANO™ gépen található töltőcsíkot.
A MissionNANO™ gép átlépi a behatároló huzal által kijelölt terület határát. A MissionNANO™ gép nem nyírja le a behatároló huzalon belülre eső pázsitot. A MissionNANO™ gép tolatni vagy forogni kezd a behatároló huzal közelében.	Egy szomszédos MissionNANO™ vagy egyéb márkás robotizált fűnyírógéphez tartozó behatároló huzalt túl közel fektettek le.	Gondoskodjon arról, hogy az ön MissionNANO™ gépéhez tartozó behatároló huzal legkevesebb 1 m-re legyen lefektetve a szomszéd behatároló huzalától.
	A lefektetett behatároló huzal által bezárt sarkok szögei kisebbek a derékszögnél.	Ellenőrizze a behatároló huzal lefektetését és ügyeljen a sarkok kialakítására.
	Nedves körülmények között a behatároló huzal elektromos jele testet kaphat a huzal összecsomózási vagy javítási helyein.	Ellenőrizze a behatároló huzalok összecsomózását. A teljesen vízmentes csatlakozás érdekében szigetelje le az összekapcsolt végeket.
	A behatároló huzal elektromos jele testet kap a huzal sérült szigetelése miatt.	A behatároló huzal szigetelését csatlakozók segítségével állítsa helyre.
	A kijelölt fűnyírési övezet mérete meghaladja a MissionNANO™ gép engedélyezett fűnyírési kapacitását.	Csökkentse a fűnyírásra kijelölt terület méretét.
A MissionNANO™ gép kifut a behatároló huzal által megszabott területről mivel túl nagy sebességgel gurult le egy meredek dombocskáról.	A behatároló huzalt 17%-nál (10°) meredekebb emelkedőn fektették le.	Költöztesse távolabb a behatároló huzalt a 17%-nál (10°) meredekebb emelkedőktől.

# Környezetvédelem

 A leselejtezett elektromos készülékek nem dobhatók ki a háztartási hulladékkal. Ha van a közelben elektromos hulladék gyűjtő udvar, vigye oda a készüléket. Az újrahaznosítási lehetőségekről tájékozódjon a helyi hatóságoknál vagy a kereskedőnél.

## Megfelelőségi nyilatkozat

My,  
Positec Germany GmbH  
Grüner Weg 10, 50825 Cologne, Germany

Kijelenti, hogy a termék,  
Leírás **Robotizált fűnyírógép**  
Típus **KR100 (100-199 - a készülék jelölése, azaz a robotizált fűnyírógépé) (A sorozatszám éve, cikkszám és hónapja a lap hátoldalán vannak feltüntetve. A teljes sorozatszám olvashatóan van feltüntetve a fűnyírógép csomagolásán) KA0200 / KA0201 akkutöltővel és KA0070 töltőbázissal**  
Rendeltetés **Fűnyírás**

Megfelel a következő irányelveknek,  
**2006/42/EC, 2014/30/EU, 2014/35/EU, 2011/65/EU, 2000/14/EC módosítva 2005/88/EC, 2014/53/EU**

**146**  
**Hu**

2000/14/EC módosítva 2005/88/EC  
- Megfelelőség-felmérési eljárás az **V. függelék értelmében**  
- Mért hangerő-szint **67.6 dB (A)**  
- Garantált hangerő-szint **68 dB (A)**

Az alábbi normáknak,  
**EN 60335-1:2012+A11:2014, EN 50636-2-107:2015, EN 60335-2-29:2004+A2:2010, EN 62233:2008, EN ISO 3744:2005, EN 55014-1:2006+A1:2009+A2:2011, EN 61000-3-2:2014, EN 61000-3-3:2013, EN 55014-2:2015, EN 61558-1:2005+A1:2009, EN 61558-2-16:2009+A1:2013, EN 300 328 V2.1.1, EN 301 489-1 V2.1.1, EN 301 489-17 V3.1.1, EN 62311:2008**

A műszaki dokumentáció összeállítására jogosult személy,

**Meno** **Marcel Filz**  
**Adresa** **Positec Germany GmbH, Grüner Weg 10, 50825 Cologne, Germany**

2018/02/09  
Allen Ding  
Helyettes főmérnöke, Tesztelés és minősítés  
Positec Technology (China) Co., Ltd.  
18, Dongwang Road, Suzhou Industrial  
Park, Jiangsu 215123, P. R. China

# Sigurnost proizvoda

## Opće i dodatne sigurnosne upute



**UPOZORENJE:** Treba pročitati sve napomene o sigurnosti i upute. Ako se ne bi poštivale napomene o sigurnosti i upute to bi moglo uzrokovati strujni udar, požar i/ili teške ozljede.

**Pažljivo pročitajte upute za sigurnu upotrebu uređaja.**

**Sačuvajte sve napomene o sigurnosti i upute za buduću primjenu.**

- Ovaj vrtni uređaj nije predviđen da s njime rade osobe (uključujući djeca) sa ograničenim fizičkim, senzornim ili psihičkim sposobnostima ili nedovoljnim iskustvom i/ili nedovoljnim stručnim znanjima. U takvim slučajevima ovakve osobe trebaju raditi pod nadzorom stručne osobe zadužene za sigurnost ili trebaju dobiti upute kako se sa uređajem radi.
- Djecu treba držati pod nadzorom, kako se ne bi igrala sa vrtnim uređajem.
- Uređaj koristite samo uz isporučeni prilagodnik napajanja.

## VAŽNO

**PAŽLJIVO PROČITAJTE PRIJE UPOTREBE  
SAČUVAJTE ZA SLUČAJ POTREBE**

## Pravila sigurne upotrebe

### Obuka

- Pažljivo pročitajte upute. Pročitajte upute i upoznajte se s kontrolama te pravilnom upotrebom uređaja.
- Nikada ne dopustite korištenje vrtnog uređaja djeci ili osobama koje nisu upoznate s ovih uputama. Propisima zemlje korisnika možda se ograničava starost rukovatelja.
- Osoba koja radi sa uređajem ili korisnik odgovorna je za nezgode ili za štete počinjene drugim ljudima ili njihovoj imovini.

### Priprema

- Izvršite ispravno instaliranje granične žice prema uputama za rad.
- Kontrolirajte pravilnost područja na kojem će se vrtni uređaj koristiti i odstranite sve kamenje, grančice, žice i ostale strane predmete.
- Redovito kontrolirajte vrtni uređaj, kako bi bili sigurni da nisu istrošeni ili oštećeni noževi, vijci noževa ili mehanizam za rezanje. Kako bi se izbjegla neravnoteža, istrošene noževe i vijke noževa zamijenite kao kompletni set.
- Kod uređaja s više osovina budite oprezni jer

rotacija jedne oštrice može uzrokovati rotaciju drugih oštrica.

- UPOZORENJE!** Ne koristite kosilicu ako štitnik nije postavljen.

## Rukovanje

### 1. Općenito

- Vrtni uređaj nikada ne koristite s oštećenim zaštitnim pokrivalima ili bez sigurnosnih naprava, kao što su deflektori.
- Vaše ruke i stopala ne stavljajte blizu ili ispod rotirajućih dijelova. Pazite da ništa ne upadne u ventilacijske otvore i nemojte na njih ništa stavljati.
- Vrtni uređaj nikada ne dižite niti nosite dok radi motor.
- Uklonite uređaj za onemogućavanje.
  - prije odstranjivanja blokada;
  - kada vrtni uređaj kontrolirate, čistite ili na njemu radite.
- Nemojte raditi modifikacije na robotskoj kosilici. Eventualne modifikacije izvodite na vlastiti rizik.
- Pokrenite robotsku kosilicu prema uputama. Šake i stopala ne postavljajte ispod kosilice.
- Ne dopustite upotrebu kosilice osobama koje s njom nisu upoznate.
- Nemojte ništa stavljati na kosilicu i njezinu postaju za punjenje.
- Robotsku kosilicu ne koristite ako je oštećen disk oštrice ili kućište. Također, ne koristite ako su oštećeni vijci, matice ili kabeli.
- Robotsku kosilicu isključite kad god je ne koristite.
- Šake i stopala držite podalje od rotirajućih oštrica. Šake i stopala ne postavljajte u blizinu ili ispod kućišta robotske kosilice dok je ona u upotrebi.
- Izbjegavajte upotrebu stroja i perifernih dodataka po lošem vremenu, posebno kada postoji opasnost od munja.
- Nemojte dodirivati pokretne opasne dijelove prije nego što se potpuno zaustave.

### 2. Dodatne upute za automatsku upotrebu uređaja

- Vrtni uređaj ne ostavljate da radi bez nadzora, ako znadete da se u blizini zadržavaju domaće životinje, djeca ili odrasle osobe.

## Održavanje i pohrana



**UPOZORENJE! Prilikom servisiranja, pregleda, pohrane ili izmjene oštrica izvadite ključ iz uređaja i provjerite jesu li se oštrice potpuno zaustavile.**

- Pritegnite sve matice i vijke kako bi upotreba uređaja bila sigurna.
- Robotsku kosilicu provjeravajte svaki tjedan i radi sigurnosti zamijenite istrošene ili oštećene dijelove.

- c) Osobitu pažnju obratite na moguća oštećenja reznog diska. Sve oštrice i vijke mijenjajte istovremeno kako bi svi rotirajući dijelovi bili uravnoteženi.
- d) Ensure that only replacement cutting means of the right type are used.
- e) Baterije punite odgovarajućim punjačem kojeg preporučuje proizvođač. Nepravilna upotreba može rezultirati strujnim udarom, pregrijavanjem ili curenjem korozivne tekućine iz baterije.
- f) U slučaju curenja elektrolita isperite vodom/ sredstvom za neutralizaciju. Zatražite pomoć liječnika ako elektrolit dospije u oči i sl.
- g) Uređaj servisirajte prema uputama proizvođača.

### Preporuka

Priključite stroj i/ili njegove periferne dodatke samo na krug napajanja zaštićen zaštitnim uređajem diferencijalne struje (RCD) s maksimalnom strujom prekidanja od 30 mA.

### Ostale opasnosti

Da biste izbjegli ozljede, nosite zaštitne rukavice prilikom zamjene oštrica.

### Transport

Prilikom transporta robotske kosilice na dulje udaljenosti upotrijebite izvornu ambalažu.

Za sigurno prenošenje izvan ili unutar radnog područja:

- a) Za zaustavljanje kosilice pritisnite gumb STOP.
- b) Robotsku kosilicu uvijek isključite ako je namjeravate prenositi.
- c) Kosilicu nosite za ručku koja se nalazi s donje stražnje strane kosilice. Kosilicu nosite tako da rezni disk bude okrenut od tijela.

### Sigurnosna upozorenja za bateriju u alatu

- a) **Bateriju nemojte rastavljati, otvarati ni trgati njezine ćelije.**
- b) **Bateriju nemojte kratko spajati. Nemojte nemarno ostavljati baterije u kutijama i ladicama gdje može doći do njihovog kratkog spoja prilikom kontakta s vodljivim materijalima.** Kad baterija nije u upotrebi držite je podalje od drugih metalnih predmeta kao što su spajalice papira, novčići, ključevi, čavli, vijci i drugi maleni metalni predmeti koji mogu uzrokovati međusobno spajanje kontakata baterije. Kratko međusobno spajanje kontakata baterije može uzrokovati opekline i požar.
- c) **Bateriju nemojte izlagati vrućini i vatri. Izbjegavajte pohranu na izravnom sunčevom svjetlu.**
- d) **Bateriju ne izlažite udarcima.**

- e) **Ako dođe do curenja baterije, pazite da tekućina ne dospije na kožu ili u oči. Ako dođe do kontakta, isperite to mjesto velikom količinom vode i potražite liječničku pomoć.**
- f) **Ako dođe do gutanja baterije ili njezine pojedinačne ćelije, odmah se obratite liječniku.**
- g) **Bateriju održavajte čistom i suhom.**
- h) **Baterija pruža najbolje performanse kada se upotrebljava na uobičajenoj sobnoj temperaturi (20°C ± 5°C).**
- i) **Baterije različitog kemijskog sastava prilikom istovremenog odlaganja držite međusobno odvojenima.**
- j) **Punite samo punjačem koji preporučuje Kress. Koristite samo punjače koji su namijenjeni za upotrebu uz određeni uređaj i bateriju.** Punjač prikladan za jednu vrstu baterija može uzrokovati požar ako se koristi uz druge baterije.
- k) **Koristite samo baterije koje su namijenjene za upotrebu uz određeni uređaj.**
- l) **Baterije držite izvan dohvata djece**
- m) **Izvorni priručnik isporučen uz uređaj sačuvajte za slučaj potrebe.**
- n) **Odlazite sukladno propisima.**

# Simboli



**UPOZORENJE** – robotska kosilica može biti opasna ako se nepravilno koristi. Pažljivo pročitajte priručnik prije upotrebe robotske kosilice.



**UPOZORENJE** - Kada radi, održavajte siguran razmak od vrtnog uređaja.



**UPOZORENJE** – Prije rada na stroju ili njegovog podizanja uklonite uređaj za onemogućavanje.



**UPOZORENJE** – Ne vozite se na vrtnom uređaju.



Uređaj klase III



Rabljeni električni proizvodi ne smiju se odlagati s kućanskim otpadom. Predajte ih na odgovarajućim reciklažnim mjestima. Savjete za reciklažu zatražite od lokalnih nadležnih tijela ili dobavljača.



Baterije ne odlažite s komunalnim otpadom. Iskorištene baterije predajte na lokalnom prikupljalištu ili reciklažnome mjestu.



Nemojte spaljivati

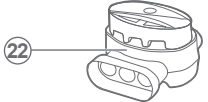
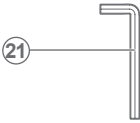
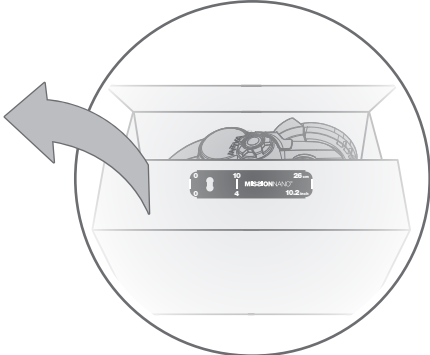
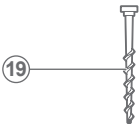
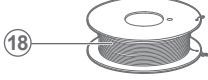
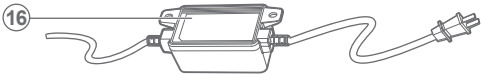
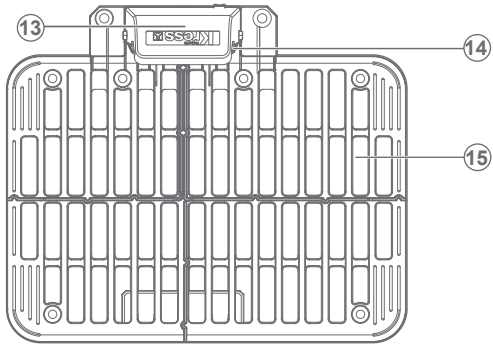
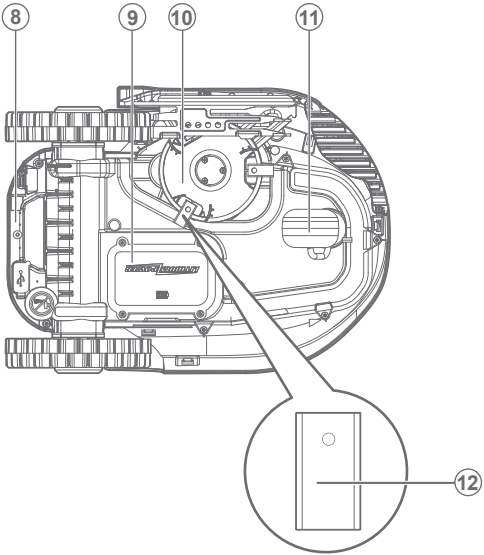
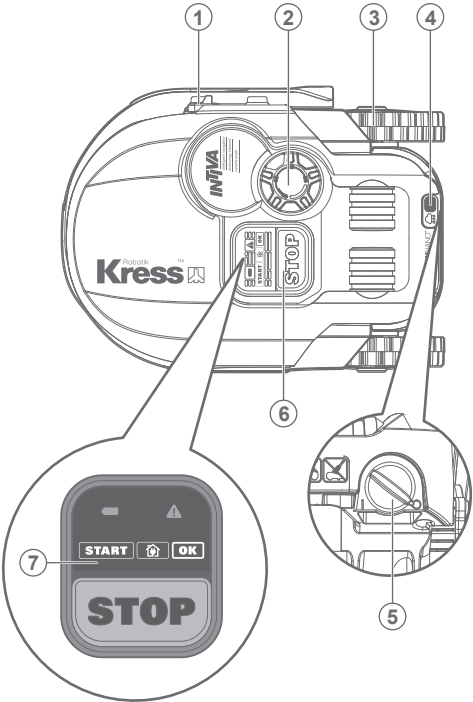


Ne izlažite kiši ni vodi



Stroj ne perite visokotlačnim peračem.

# Popis komponenti



150  
Hr

- |   |  |
|---|--|
| 1. Trake za punjenje                      | 12. Rezna oštrica                          |
| 2. Gumb za podešavanje visine rezanja     | 13. Zaštitni poklopac                      |
| 3. Stražnji kotač                         | 14. Kontaktni pinovi                       |
| 4. Senzor za kišu                         | 15. Baza za punjenje                       |
| 5. Prekidač za uključivanje/isključivanje | 16. Prilagodnik napajanja                  |
| 6. Gumb stop                              | 17. Pričvrsnice žice                       |
| 7. Upravljačka ploča                      | 18. Granična žica                          |
| 8. Ručka                                  | 19. Čavli za učvršćivanje baze za punjenje |
| 9. Baterija                               | 20. Mjerač udaljenosti granične žice       |
| 10. Rezni disk                            | 21. Imbus ključ                            |
| 11. Prednji kotač                         | 22. Priključak                             |

## Tehnički podaci

Vrsta **KR100 (100-199 - oznaka stroja, označava robotsku kosilicu)**

Nazivni napon	20V $\overline{\text{---}}$ Max.*
Brzina bez opterećenja	2800/min
Površina košnje	600m <sup>2</sup>
Promjer rezanja	18cm
Visina rezanja	30-60mm
Položaji visine rezanja	4
Vrsta baterije	Litij-ionska
Model baterije	KA0101
Vrijeme punjenja Približno	2 sati
Model punjača	KA0200 / KA0201
Specifikacija punjača	Ulazno: 100-240V~50/60Hz, 38W, Izlazno: 20V, 1.5A
Masa uređaja	8.8kg
Stupanj zaštite	III
Aplikacija	Y
Frekvencijski raspon ugrađenog WLAN modula	2.412GHz-2.484GHz
Maks. radiofrekvencijska snaga ugrađenog WLAN modula	802.11b:+16±2dBm(@11Mbps) 802.11g:+14±2dBm(@54Mbps) 802.11n:+13±2dBm(@HT20,MCS7)

\*Napon izmjeren bez radnog opterećenja. Inicijalni napon baterije dostiže maksimum od 20 volti. Nominalni napon je 18 volti.

# Buka i tehnički podaci

Ponderirani zvučni tlak	$L_{pA} = 47.6 \text{ dB (A)}, K_{pA} = 3.0 \text{ dB(A)}$
Ponderirana snaga zvuka	$L_{WA} = 67.6 \text{ dB (A)}, K_{WA} = 3.0 \text{ dB(A)}$
Nosite zaštitu za sluh kada je zvučni tlak viši od	80dB(A) 

Nije moguće izbjeći određeni stupanj buke iz stroja. Bučni rad mora biti dozvoljen i ograničen na određena razdoblja. Poštujte razdoblja tišine, može biti potrebno ograničiti sate rada na minimum. Radi osobne zaštite i zaštite ljudi koji rade u blizini potrebno je nositi odgovarajuću slušnu zaštitu.

## Dodatna oprema

Vijaka	9
Stanica za punjenje	1
Čavala za učvršćivanje stanice za punjenje	8
Žica za ograđivanje dužine	150m
Spajalica	210
Imbus ključ	1
Mjerača	2
Oštrica	9
Baterija (KA0101)	1
Punjač(KA0200 / KA0201)	1
Priključak	2

152  
Hr

Preporučujemo da dodatke kupujete u istoj trgovini u kojoj ste kupili i alat. Dodatne pojedinosti potražite na ambalaži dodataka. Osoblje u trgovini može vam pomoći i ponuditi savjet.

## Predviđena upotreba

Ovaj vrtni proizvod predviđen je za košnju travnjaka. Predviđen je za često košenje, što omogućuje održavanje zdravijeg i boljeg izgleda travnjaka nego ikad prije. Ovisno o veličini travnjaka, MissionNANO™ se može programirati tako da radi bilo kada i bilo kojom učestalošću, bez ograničenja. Nije namijenjen za kopaње, metenje ili čišćenje snijega.

## Održavanje

MissionNANO™ treba povremeno provjeravati. MissionNANO™ naporno radi i nakon nekog vremena treba ga dobro očistiti te zamijeniti neke dijelove koji se istroše. MissionNANO™ nemojte koristiti ako prekidač za uključivanje/isključivanje nije ispravan.

Isključite uređaj prije bilo kakvog servisiranja ili održavanja.

U nastavku vas želimo upoznati s održavanjem uređaja MissionNANO™.



# 1

## Održavanje oštine

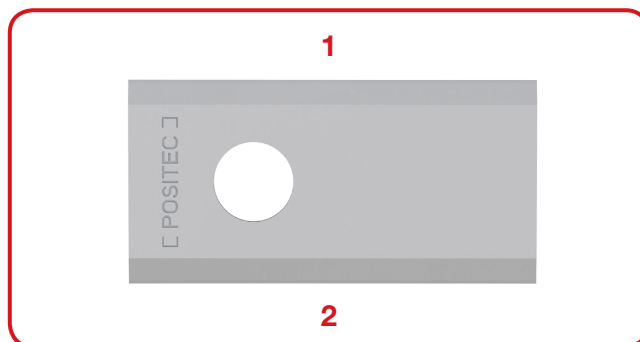


**UPOZORENJE: Prije čišćenja, podešavanja ili zamjene oštrica isključite MissionNANO™ i stavite zaštitne rukavice.**



**UPOZORENJE: Prilikom postavljanja novih oštrica obavezno zamijenite SVE oštrice. Prilikom postavljanja oštrica uvijek upotrijebite nove vijke. To je važno da bi se osiguralo držanje oštrice i balansiranje diska za okretanje oštrice. Ako ne upotrijebite nove vijke, može doći do ozbiljnih ozljeda.**

MissionNANO™ ne reže travu poput drugih kosilica. Rezači su oštri poput britvi na 2 ruba i rotiraju se u oba smjera za maksimalnu učinkovitost rezanja. Svaka oštrica kosilice MissionNANO™ ima 2 rezna ruba. Rezni disk rotira se nasumično u oba smjera kako bi se iskoristila oba rezna ruba. To smanjuje potrebu za čestim izmjenama reznog diska. Svaka oštrica potrajat će do 2 mjeseca ako je uređaj programiran za svakodnevnu košnju. Uvijek provjerite jesu li rezači oštećeni te ih po potrebi zamijenite. Ako su oštrice tupe i istrošene, zamijenite ih rezervnim oštricama namijenjenima za MissionNANO™. Rezervne oštrice dostupne su i kod Kress dobavljača.



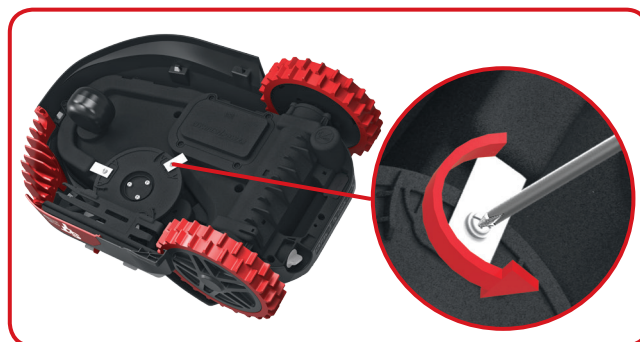
## A Zamjena oštrica

Nakon nekog vremena, obično svake sezone, oštrice za MissionNANO™ treba zamijeniti. Stoga uvijek istovremeno mijenjajte sve oštrice i zamjenjujte ih istim tipom oštrica. Možete ih zamijeniti kompletom rezervnih oštrica i dodatnim vijcima predviđenima za MissionNANO™.

Prije zamjene oštrica za MissionNANO™ isključite napajanje i stavite zaštitne rukavice. Zatim napravite sljedeće:

1. Pažljivo preokrenite MissionNANO™.
2. Uklonite poklopac baterije pomoću odvijača.
3. Uklonite vijke pomoću odvijača.
4. Postavite nove oštrice i čvrsto pritegnite vijke.
5. Ponovo postavite bateriju i njezin poklopac.

**VAŽNO: Nakon pričvršćivanja oštrice na rezni disk provjerite može li se oštrica slobodno okretati.**



# 2

## Čišćenje



**UPOZORENJE: Prije čišćenja isključite MissionNANO™. Prije čišćenja reznog diska stavite zaštitne rukavice. Nemojte koristiti vodu izravno iz slavine (tekuću).**

## A. Čišćenje kućišta

MissionNANO™ će raditi bolje i trajati dulje ako se redovito čisti. Iako je MissionNANO™ električni uređaj, potrebno je biti oprezan prilikom čišćenja stoga **NEMOJTE koristiti crijevo, visokotlačne perače ili na drugi način polijevati MissionNANO™ vodom. Najbolje je upotrijebiti prskalicu napunjenu vodom.** Prilikom čišćenja kućišta upotrijebite meku četku ili čistu krpu i izbjegavajte upotrebu otapala i sredstava za poliranje. Svakako uklonite svu nakupljenu travu i ostale naslage.



## B. Čišćenje podnožja

Također, važno je ISKLJUČITI MissionNANO™ OFF i **staviti zaštitne rukavice prije dodirivanja reznog diska.**

Prvo preokrenite MissionNANO™ kako biste mogli pristupiti podnožju. Vidjet ćete rezni disk, šasiju i prednji kotač i vojni kotač. Sve dijelove dobro očistite mekom četkom ili vlažnom krpom.



**UPOZORENJE: MissionNANO™ NEMOJTE čistiti s donje strane tako da je polijevate vodom.** Može doći do oštećenja dijelova.

Zakrenite disk kako biste provjerili može li se slobodno okretati. Provjerite okreću li se oštrice slobodno oko pričvrstnih vijaka. Uklonite sve prepreke.

**VAŽNO: Uklonite sve naslage kako ne bi došlo do puknuća reznog diska. Čak i najsitnije pukotine mogu smanjiti učinkovitost kojom MissionNANO™ kosi.**



## C. Čišćenje kontaktnih pinova i traka za punjenje

Očistite kontaktne pinove na bazi za punjenje i trakama za punjenje na kosilici MissionNANO™ pomoću krpe. Povremeno čistite nakupine trave i ostale naslage oko kontaktnih pinova i traka za punjenje kako bi se MissionNANO™ pravilno punio.

# 3

## Trajanje baterije

MissionNANO™ napaja litij-ionska baterija od 20 V. Bateriju pohranite potpuno napunjenu te na suhom i hladnome mjestu (-20°C-60°C).

**Napomena:** Preporučena radna temperatura stroja MissionNANO™ je između 0-55 °C.

Vijek trajanja baterija u kosilici MissionNANO™ ovisi o različitim čimbenicima kao što su:

- Trajanje sezone košnje na vašem području
- Sati koje MissionNANO™ dnevno provede u košnji
- Uvjeti pohrane baterije

MissionNANO™ se može puniti ručno bez granične žice.

1. Prikjučite bazu za punjenje na odgovarajuće napajanje. Upalit će se zelena lampica na bazi za punjenje.
2. Ručno postavite MissionNANO™ na bazu za punjenje dok je MissionNANO™ isključen.
3. Upalit će se zelena lampica na bazi za punjenje. MissionNANO™ će se početi puniti.



# 4

## Odlaganje tijekom zime

MissionNANO™ će trajati dulje i raditi bolje ako se pohrani tijekom razdoblja neupotrebe. Stoga preporučujemo da tijekom zime pohranite MissionNANO™ u alatnici ili garaži.

Prije nego što pripremite MissionNANO™ za zimsko odlaganje, preporučujemo da:

- Dobro očistite MissionNANO™
- Potpuno napunite bateriju
- Isključite napajanje

Za maksimalni vijek trajanja, potpuno napunite bateriju prije zimske pohrane.

**⚠ UPOZORENJE: Podnožje kosilice MissionNANO™ zaštitite od vode. MissionNANO™ NE pohranjujte preokrenut na otvorenom prostoru kako u njega ne bi prodrla voda.**

Granična žica može se ostaviti zakopana, ali krajeve treba zaštititi, npr. tako da se postave u limenke s masnoćom. Ako bazu za punjenje ostavljate zimi na otvorenom prostoru, ostavite graničnu žicu priključenu.

**Napomena:** Kada MissionNANO™ nakon zimskog mirovanja ponovo puštate u pogon, provjerite jesu li trake za punjenje i kontaktni pinovi čisti. Za čišćenje upotrijebite fini brusni papir. Koristeći aplikaciju, provjerite jesu li datum i vrijeme točni pa pošaljite stroj MissionNANO™ nazad na posao koji voli: košenje.

# 5

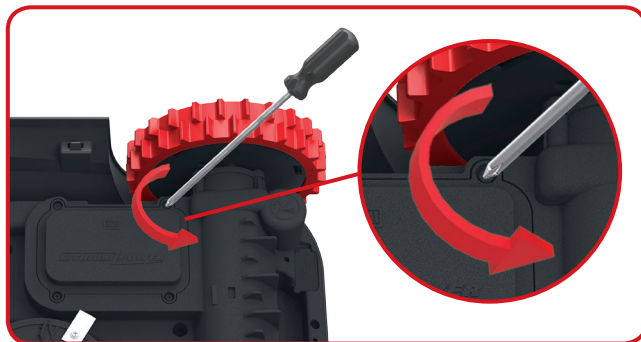
## Zamjena baterije

**⚠ UPOZORENJE: Isključite napajanje prije bilo kakvog podešavanja, zamjene dijelova ili popravaka.**

**Prije zamjene oštrica isključite MissionNANO™ i stavite zaštitne rukavice.**

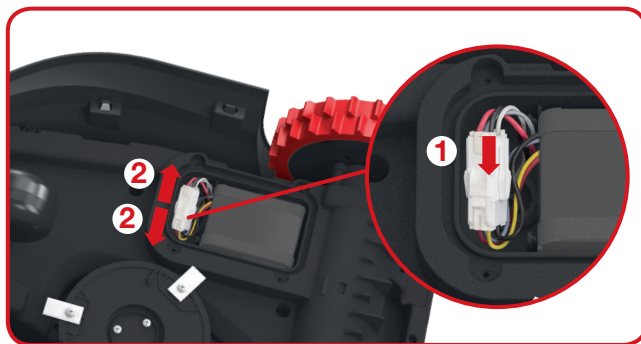
Ako bateriju treba zamijeniti, napravite sljedeće:

1. Pažljivo preokrenite MissionNANO™.
2. Uklonite vijke na poklopcu baterije. Uklonite poklopac baterije.

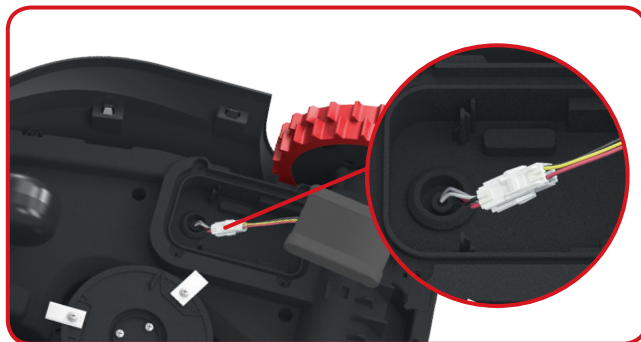
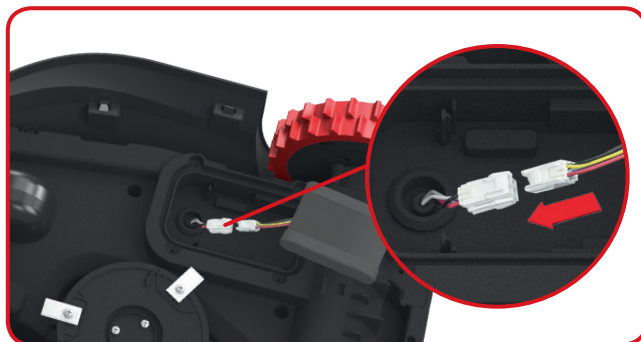


3. Pažljivo izvadite staru bateriju. Pritisnite rezu i oslobodite konektore.

**NAPOMENA:** Kabele nemojte povlačiti. Držite priključke i otpustite pričvrsnicu.



4. Priključite novu originalnu bateriju spajanjem na priključke.



5. Postavite bateriju kao što je prikazano. Ponovo postavite poklopac i čvrsto pritegnite vijke.



# Rješavanje problema pri instalaciji

Ako MissionNANO™ ne radi kako treba, potražite informacije u nastavku. Ako se problem nastavi, obratite se Dobavljaču.

Simptom	Uzrok	Postupak
Led svjetlo na bazi za punjenje se ne pali.	Nema napajanja.	Provjerite je li kabel napajanja pravilno priključen na punjač i je li punjač priključen u odgovarajuću utičnicu.†
Zeleno svjetlo na bazi za punjenje trepće.	Granična žica nije priključena.†	Provjerite je li granična žica pravilno povezana s bazom za punjenje. † Provjerite nema li prekida i napuknuća u graničnoj žici, posebno na krajevima žice.†
Vaš MissionNANO™ je znotraj svojega območja in žica za omejitve je povezana z napajanjem. Indikatorska lučka utripa rdeče.	Krajevi granične žice nepravilno su spojeni.	Provjerite nema li prekida i napuknuća u graničnoj žici, posebno na krajevima žice.†
MissionNANO™ se ne može pravilno spojiti s bazom za punjenje	Okolišni čimbenici.	Obrnite krajeve granične žice.
	Slaba veza uzrokovana nakupinama na traci za punjenje.	Očistite kontaktne pinove na bazi za punjenje i trakama za punjenje na kosilici MissionNANO™ pomoću krpe.
MissionNANO™ radi izvan granične žice. MissionNANO™ ne kosi područje unutar zone označene graničnom žicom. MissionNANO™ se vraća ili se nasumično okreće u blizini granične žice.	Granična žica druge kosilice MissionNANO™ ili druge robotske kosilice preblizu je postavljena.	Granična žica za MissionNANO™ mora biti odmaknuta barem 1m od susjedne granične žice.
	Granična žica postavljena je tako da su kutevi previše oštri.	"Zagladite" kuteve.
	U vlažnim uvjetima električni signal granične žice može se prekidati na mjestu spoja ili popravka.	Provjerite spojeve granične žice. Izolirajte spojeve radi zaštite od vode.
	Električni signal granične žice prekida se zbog oštećene izolacije.	Popravite izolaciju granične žice.
	Područje košnje veće je od dopuštenog za MissionNANO™.	Smanjite površinu košnje.
MissionNANO™ prelazi preko granične žice zbog velike brzine na nizbrdici.	Granična žica postavljena je na nagibu strmijem od 17% (10°).	Premjestite graničnu žicu s nagiba strmijih od 17% (10°).

## Zaštita okoliša



Rabljeni električni proizvodi ne smiju se odlagati s kućanskim otpadom. Predajte ih na odgovarajućim reciklažnim mjestima. Savjete za reciklažu zatražite od lokalnih nadležnih tijela ili dobavljača.

# Deklaracija usklađenosti

My,  
Positec Germany GmbH  
Grüner Weg 10, 50825 Cologne, Germany

izjavljujemo da je proizvod,

Opis **Robotska kosilica**

Vrsta **KR100 (100-199 - oznaka stroja, označava robotsku kosilicu) (Godina, broj artikla i mjesec serijskog broja se nalaze na stražnjoj stranici. Čitav serijski broj je jasno naveden na kućištu kosilice) s punjačem baterije KA0200 / KA0201 i bazom za punjenje KA0070**

Funkcija **Rezanje trave**

Usklađeno sa sljedećim smjernicama,  
**2006/42/EC, 2014/30/EU, 2014/35/EU, 2011/65/EU, 2000/14/EC dopunjeno 2005/88/EC, 2014/53/EU**

2000/14/EC dopunjeno 2005/88/EC

- Postupak procjene sukladnosti prema
- Izmjerena razina zvučne snage
- Deklarirana zajamčena razina zvučne snage

**Dodatku V**  
**67.6 dB (A)**  
**68 dB (A)**

Standardi usklađeni s,

**EN 60335-1:2012+A11:2014, EN 50636-2-107:2015, EN 60335-2-29:2004+A2:2010, EN 62233:2008, EN ISO 3744:2005, EN 55014-1:2006+A1:2009+A2:2011, EN 61000-3-2:2014, EN 61000-3-3:2013, EN 55014-2:2015, EN 61558-1:2005+A1:2009, EN 61558-2-16:2009+A1:2013, EN 300 328 V2.1.1, EN 301 489-1 V2.1.1, EN 301 489-17 V3.1.1, EN 62311:2008**

**158**  
**Hr**

Osoba ovlaštena za sastavljanje tehničke dokumentacije,

**Meno** **Marcel Filz**

**Adresa** **Positec Germany GmbH, Grüner Weg 10, 50825 Cologne, Germany**



2018/02/09

Allen Ding

Zamjenik šefa inženjeringa, Testiranje i certifikacija

Positec Technology (China) Co., Ltd.

18, Dongwang Road, Suzhou Industrial

Park, Jiangsu 215123, P. R. China

# Ürün Güvenliği

## Genel ve Ek Güvenlik Talimatı



**DİKKAT! Bu talimatın bütün hükümlerini okuyun.** Aşağıdaki talimat hükümlerine uymazsanız, elektrik çarpmaları, yangın ve/veya ağ ıryaralanmalarına neden olunabilir.

**Makinenin güvenli çalışması için talimatları dikkatle okuyun.**

**İleriye bakarak tüm uyarıları ve talimatları saklayın.**

- Bu bahçe aleti; fiziksel, duyu salve yazihin selyetenekleri kısıtlı, yetersiz deneyime ve/veya eksik bilgiye sahip kişiler (çocuklar dahil) tarafından kullanılmayacağıdır. Bu kişiler alet ancak güvenli kullanım için kullanılmamalıdır.
- Çocukların bahçe aleti ile oynamasını dikkate alınmalıdır.
- Cihaz yalnızca, yanında verilen güç sağlama ünitesi ile kullanılmalıdır.

## ÖNEMLİ

### KULLANMADAN ÖNCE OKUYUN

### DAHA SONRA BAŞVURMAK İÇİN SAKLAYIN

## Güvenli çalışma yöntemleri

### EĞİTİM

- Talimatları dikkatle okuyun. Talimatları anladığınızdan ve cihazın kontrolleri ve cihazın uygun kullanımı hakkında bilgi sahibi olduğunuzdan emin olun.
- Çocukların veya bu kullanılmaması için uygun olarak kullanılmaması için izin vermemeyin. Bazı uluslararası emeller bu aletin kullanımı için izin vermemeyin.
- Bu alet kullanıcıların başkalarının başına gelebilecek kazalardan veya bunların özelmülkiyetinde bulunan mallardan zarar gelebilecek hasarlardan sorumludur.

## Hazırlık

- Sınırlamaların kusursuz kurulumunun kullanılmaması için talimatları dikkatle okuyun.
- Bahçe aletinin kullanıldığı alanı düzenli aralıklarla kontrol edin ve bütün taşları, kütük parçalarını, teller ve benzer nesnelere uzaklaştırın.
- Bıçaklar, bıçak vidaları ve kesmede kullanılmaması için talimatları dikkatle okuyun. Üzerinde bahçe aletinin düzenli aralıklarla kontrol edin. Dengesiz çalışmayı önlemek için bıçakları ve bıçak vidalarını düzenli olarak değiştirin.
- Çok milli cihazlarda, dönen bir bıçak diğer bıçakların dönmesine neden olabilir.
- UYARI! Çim biçme makinesi, birinin gözetimi olmadan çalıştırılmamalıdır.

## Kullanım

### 1. Genel

- Bahçe aletini hiçbir zaman hasarlı koruyucu kapakları aralave güvenli kullanılmaması için kullanmayın, örneğin saptırma levhaları yerinde olmalıdır.
- Ellerinizi ve ayaklarınızı aletinden dönen parçalarını akının aletten uzaklaştırın. Döner bıçakların aletinde, deşerji kapaklarını her zaman açık tutun.
- Motor çalışır durumda iken bahçe aletini hiçbir zaman kaldırmayın veya taşımayın.
- Devre dışı bırakma aygıtını cihazdan çıkarın.
  - blokajları giderirken;
  - bahçe aletini kontrol ederken, temizlerken veya kendi kendine çalışmaya parken,
- Robotik çim biçme makinesinin orijinal tasarımı değiştirilemez. Tüm değişiklikler kendi sorumluluğunuzdadır.
- Robotik çim biçme makinesini, talimatlara göre başlatın. Ellerinizi ve ayaklarınızı kesinlikle biçicinin altına koymayın.
- Robotik çim biçme makinesinin nasıl çalıştığını ve nasıl hareket ettiğini bilmeyenlerin biçme makinesini kullanmasına izin vermeyin.
- Robotik çim biçme makinesi veya şarj istasyonunun üstüne herhangi bir şey koymayın.
- Robotik Çim Biçme Makinesinin arızalı bir bıçak diski veya gövdeyle kullanılmasına izin vermeyin. Hatalı bıçaklar, vidalar, somunlar veya kablolarla birlikte de kullanılmamalıdır.
- Biçme makinesini kullanmak istemediğinizde, daima robotik çim biçme makinesini kapatın.
- Ellerinizi ve ayaklarınızı dönen bıçaklardan uzak tutun. Robotik çim biçme makinesi çalışırken, asla ellerinizi veya ayaklarınızı gövdeye yaklaştırmayın veya altına koymayın.
- Kötü hava koşullarında özellikle yıldırım tehlikesi olduğunda makinenin ve çevre birimlerinin kullanılmasını önlemek için.
- Hareketli tehlikeli parçalara tamamen durmadan dokunmayın.

### 2. Ayrıca, cihaz otomatik olarak çalışırken

- Yakınında evcil hayvanlar, çocuklar veya başkalarının bulunma olasılığı varsa bahçe aletini denetiminiz dışında çalıştırmayın.

## Bakım ve depolama



**UYARI! Makine, bakım, muayene, saklama veya bıçakları değiştirmek için durdurulduğunda, anahtarı makineden çıkarın ve bıçakların tamamen durduğundan emin olun.**

- Makinenin güvenli şekilde çalışması için tüm somunları, civataları, vidaları sıkıştırın.
- Robotik çim biçme makinesini her hafta muayene edin ve aşınmış veya hasar görmüş parçaları

- güvenlik için değiştirin.
- c) Özellikle bıçakların ve bıçak disklerinin hasar görmediğini kontrol edin. Dönen parçaların dengelenmesi için gerekliyse, tüm bıçakları ve vidaları aynı zamanda değiştirin.
  - d) Sadece doğru tipte kesme araçlarının kullanıldığından emin olun.
  - e) Bataryanın, üretici tarafından önerilen doğru şarj cihazı kullanılarak şarj edilmiş olduğundan emin olun. Yanlış kullanım, elektrik şokuna, aşırı ısınmaya veya batarya aşındırıcı sıvı sızmasına neden olabilir.
  - f) Su/nötralize edici araçlarla birlikte elektrolit sıvı sızıntı olması halinde, göz ve benzeri organlarla temas ederse, tıbbi yardım isteyin.
  - g) Cihazın bakımı, imalatçıların talimatlarına uygun olmalıdır.

### Tavsiye

Makineyi ve/veya çevre birimlerini sadece 30 mA üzerinde olmayan bir trip akımlı artık akım cihazı (RCD ) tarafından korunan bir besleme devresine bağlamak için

### Artık riskler

Yaralanmaları önlemek için, bıçakları değiştirirken koruyucu eldiven takın.

160

Tr

### Taşıma

- Robotik çim biçme makinesi uzun mesafelere taşınırken, orijinal ambalaj kullanılmalıdır. Güvenli şekilde taşıma şekli veya çalışma alanı içinde:
- a) Biçiciyi durdurmak için STOP (DURDUR) düğmesine basın.
  - b) Biçiciyi taşıyacağınızda, daima robotik çim biçme makinesini kapatın.
  - c) Biçiciyi, alt arka kısmındaki koldan tutarak taşıyın. Biçiciyi, bıçak diskini gövdeden ayırarak taşıyın.

### Aletin içindeki pil takımı için Güvenlik Uyarıları

- a) Pil takımını çıkarmayın, açmayın veya parçalara ayırmayın.
- b) Pil ünitesini kısa devre yaptırmayın. Pil ünitesini, birbirlerini kısa devre yaptıracak ya da iletken malzemeler tarafından kısa devre yapılabileceği bir kutu ya da çekmece içinde rasgele saklamayın. Pil ünitesi kullanımda olmadığı zaman, iki uç arasında bağlantı sağlayabilecek ataç, bozuk para, anahtar, çivi, vida veya diğer küçük metal nesnelere uzak tutun. Pil uçlarının kısa devre yapması yanık veya yangına sebep olabilir.
- c) Pil ünitesini ısıya veya ateşe maruz bırakmayın. Doğrudan güneş ışığında muhafazadan kaçının.

- d) Pil ünitesini mekanik şoka maruz bırakmayın.
- e) Bir pilin akması durumunda, sıvı maddenin cilt veya gözler ile temas etmesine izin vermeyin. Eğer temas edilirse, etkilenen alanı bol miktarda su ile yıkayın ve tıbbi tavsiye alın.
- f) Bir pil veya pil ünitesinin yutulması halinde derhal tıbbi tavsiye alın.
- g) Pil ünitesini temiz ve kuru tutun.
- h) Pil ünitesi en iyi performansı normal odası sıcaklığında ( $20\text{ °C} \pm 5\text{ °C}$ ) kullanıldığındadır.
- i) Pil ünitelerini imha ederken, değişik elektrokimyasal sistemlere ait pil ünitelerini birbirinden ayırın.
- j) Sadece Kresstar tarafından belirtilen şarj cihazı ile şarj edin. Ekipman ile birlikte kullanılmak üzere tasarlanmayan herhangi bir pil ünitesini kullanmayın. Bir pil türü için uygun olan şarj cihazı başka tür pil ile kullanıldığında yangın riski oluşturabilir.
- k) Ekipman ile birlikte kullanılmak üzere tasarlanmayan herhangi bir pil ünitesini kullanmayın.
- l) Pil ünitesini çocukları erişemeyeceği yerlerde saklayın.
- m) İleride başvurmak için orijinal ürün belgelerinizi saklayın.
- n) Gerektiği gibi imha edin.



# Semboller



**UYARI** – Yanlış kullanıldığında, robotik çim biçme makinesi tehlikeli olabilir. Robotik çim biçme makinenizi kullanmadan önce, Kullanım kılavuzunu dikkatli bir şekilde okuyun ve içeriği anladığınızdan emin olun.



**UYARI** - Bahçealeti çalışır durumda iken aletle aranızda güvenli bir mesafe bırakın.



**UYARI** – Üzerinde çalışmadan veya makineyi kaldırmadan önce, devre dışı bırakma aygıtını çıkarın.



**UYARI!** – Hareket halindeki bahçealetinin üzerine çıkmayın.



Sınıf III cihaz



Atık elektronik ürünler, evsel atıklarla birlikte atılmamalıdır. Lütfen, tesislerin bulunduğu yerlerde geri dönüşüm yapın. Geri dönüşüm önerileri için yerel yetkililere veya satıcınıza danışın.



Bataryaları atmayın. Bitmiş bataryaları bölgenizdeki toplama da geri dönüşüm noktasına verin.



Yakmayınız

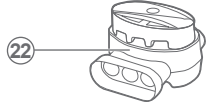
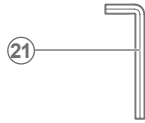
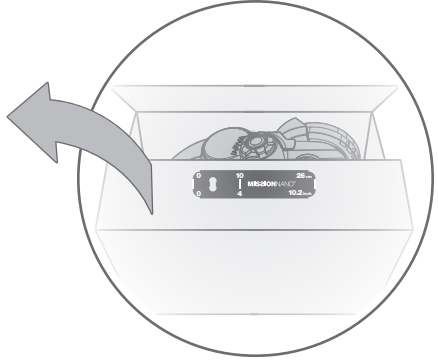
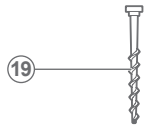
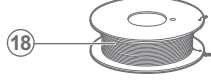
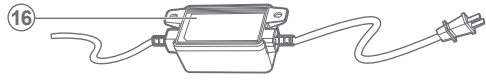
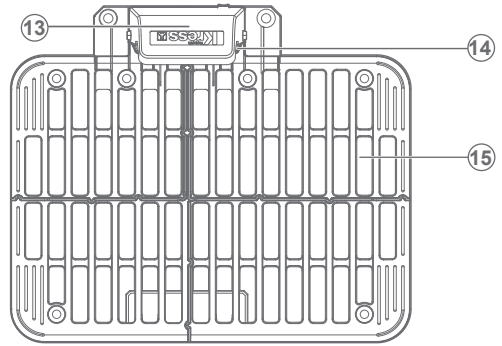
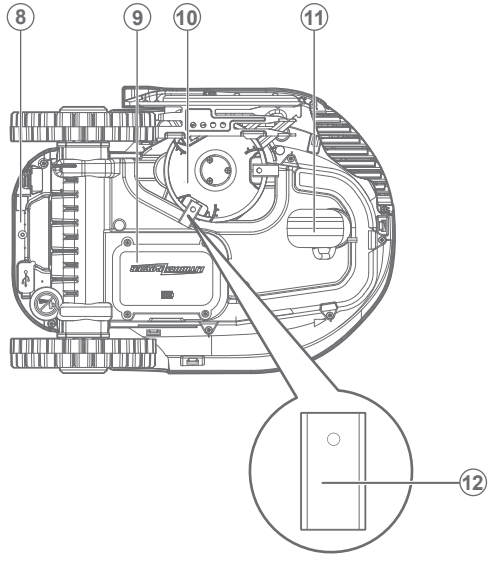
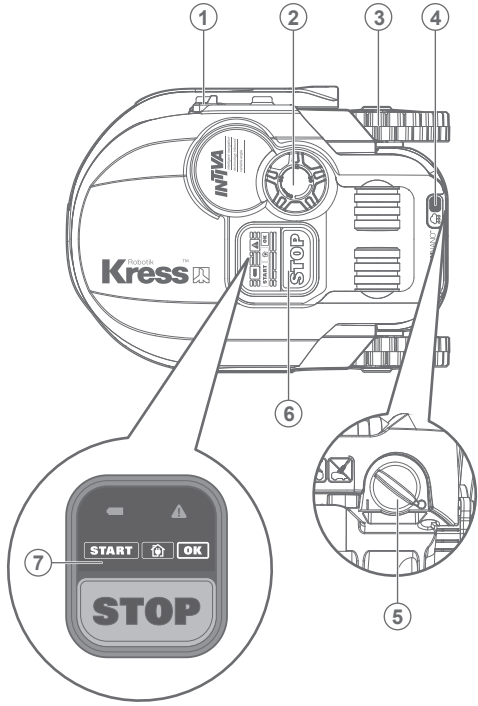


Yağmura veya suya maruz bırakmayınız



Makineyi, yüksek basınçlı bir yıkayıcı ile yıkamayın.

# Bileşen Listesi



1. Şarj şeritleri
2. Kesme yüksekliği ayar düğmesi
3. Arka teker
4. Yağmur sensörü
5. Açma/kapama düğmesi
6. Stop düğmesi
7. Kontrol paneli
8. Kol
9. PİL takimi
10. Bıçak dönme diski
11. Ön teker
12. Kesme bıçağı
13. Koruyucu kapağın
14. Temas pimi
15. Şarj İstasyonu
16. Şarj adaptörü
17. Tel çiviler
18. Kenar teli
19. Şarj İstasyonu sabitleyici çiviler
20. Kenar teli uzaklık ayarı
21. Alyan anahtarı
22. Konektör


## Teknik bilgiler

Tip **KR100 (100-199 - çim biçme robotu sistem tasarımı ve temsili görseli)**

Ra Anma Girdisi	20V $\approx$ Max.*
İşletme yüksüz hızı	2800/min
Kesme bölgesi	600m <sup>2</sup>
Kesme çapı	18cm
Kesim yüksekliği	30-60mm
Kesme yüksekliği pozisyonlar	4
Batarya tipi	Lityum iyon
Batarya Modeli	KA0101
Şarj süresi Yaklaşık	2hrs
Şarj Cihazı Modeli	KA0200 / KA0201
Şarj Cihazı Sınıfı	Giriş: 100-240V~50/60Hz, 38W, Çıkış: 20V, 1.5A
Ağırlık	8.8kg
Koruma derecesi	III
Uygulama	Y
Gömülü WLAN modülünün frekans bandı	2.412GHz-2.484GHz
Gömülü WLAN modülünün maksimum radyo-frekansı gücü	802.11b:+16±2dBm(@11Mbps) 802.11g:+14±2dBm(@54Mbps) 802.11n:+13±2dBm(@HT20,MCS7)

\*Voltaj ölçümü yüksüz olarak yapılmıştır. PİL başlangıç voltajı maksimum 20V'a ulaşır. Nominal voltaj 18 voltur.

# Gürültü ve teknik veriler

Ağırlıklı Ses Basıncı	$L_{pA} = 47.6 \text{ dB (A)}, K_{pA} = 3.0 \text{ dB(A)}$
Ağırlıklı Ses Gücü	$L_{wA} = 67.6 \text{ dB (A)}, K_{wA} = 3.0 \text{ dB(A)}$
Ses basıncı 80 dB (A) aşarsa kulaklık kullanınız	80dB(A) 

Önlenabilir bir gürültü derecesine sahip değildir. Gürültülü çalışma hattı ruhsatlandırılmalı ve belli periyotlarla sınırlandırılmalıdır. Çalışma saatlerinin minimuma indirilmesi gerekebileceğinden dinlenme süreleri belirleyin. Kişisel koruma ve yakında çalışan insanların korunması için uygun kulak tıkaçları kullanılmalıdır.

## Aksesuarlar

Vida	9
Şarj istasyonu	1
Şarj istasyonunu sabitlemek için çivi	8
Sınır teli	150m
Çatal çivi	210
Altıgen anahtar	1
Ölçüm göstergesi	2
Bıçak	9
Batarya kutusu (KA0101)	1
Şarj aleti (KA0200 / KA0201)	1
Konektör	2

164

Tr

Bütün Aksesuarlarınızı bu cihazı aldığınız mağazadan almanızı tavsiye ederiz. Daha fazla bilgi için aksesuar paketini tetkik ediniz. Mağaza personeli size yardımcı olacak ve önerilerini getireceklerdir.

## Kullanım Amacı

Bahçe ürünü, evsel çim biçme işlemi için tasarlanmıştır. Çimlere her zamankinden daha sağlıklı ve iyi şekilde bakım yaparak, çimlerin sıklıkla biçilmesi için tasarlanmıştır. MissionNANO™, çimlerinizin boyutuna göre, hiç bir kısıtlama olmaksızın herhangi bir zaman veya sıklıkta çalışması için programlanabilir. Kazmak, süpürmek veya kar temizlemek için tasarlanmamıştır.

## Bakım

MissionNANO™ cihazınızın zaman zaman kontrol edilmesi gerekmektedir. MissionNANO™ çok çalışır, bir süre sonra iyice temizlenmesi ve eskiyebileceği için bazı parçalarının değiştirilmesi gerekir. Çim MissionNANO™ asla arızalı Açma/kapama düğmesi ile kullanmayın.

Bakım veya onarım yapmadan önce makineyi kapatın.

Aşağıda, MissionNANO™'inize nasıl bakmanız gerektiğini bildirmek isteriz.

# 1

## Keskin Olsun

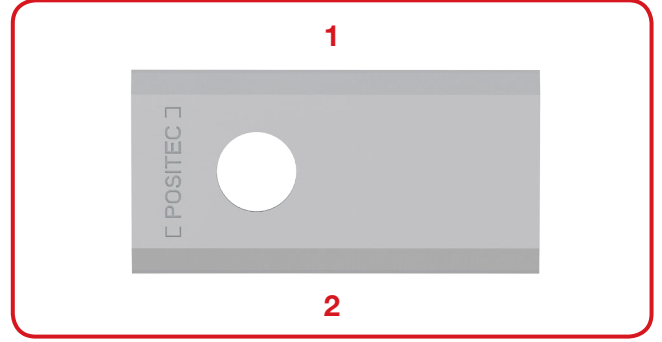


**UYARI: Bıçakları temizlemeden, ayarlamadan veya değiştirmeden önce MissionNANO™'inizi KAPALI konuma getirip koruyucu eldiven takın.**



**UYARI: Yeni bıçakları takarken, TÜM bıçakları değiştirdiğinizden emin olun. Bıçakları takarken, her zaman yeni vida kullanın. Bu, bıçakların sabitliğinin sağlanması ve döner bıçak diskinin dengelenmesi açısından önemlidir. Yeni vida kullanılmaması ciddi yaralanmalara neden olabilir.**

MissionNANO™'in çim biçme şekli, diğer çim biçme makinelerine benzemez. Kesme Bıçakları, iki kenarında jilet gibi keskindir ve maksimum kesme kapasitesi için her iki yönde de döner. MissionNANO™ cihazınızın bıçaklarının her birinde 2 keskin kenar vardır. Bıçak Dönme Diski, her iki kesici kenarı da kullanmak için ileriye ve geriye doğru rastgele dönecektir. Böylece, kesici bıçağın değiştirilme sıklığını en aza indirmemize yardımcı olur. Kesme bıçaklarının her biri, her gün biçmek için programlandığı takdirde 2 aya kadar dayanacaktır. Bıçaklarımızın kırılmış veya hasarlı olup olmadığını kontrol edin ve eğer öyleyse bıçakları değiştirin. Kesici bıçaklar körelmiş ve eskimiş hale geldiğinde, MissionNANO™ ile birlikte verilen yedek bıçaklarla değiştirilmelidir. Yedek bıçaklar aynı zamanda, size en yakın Kress bayisinde de bulunur.



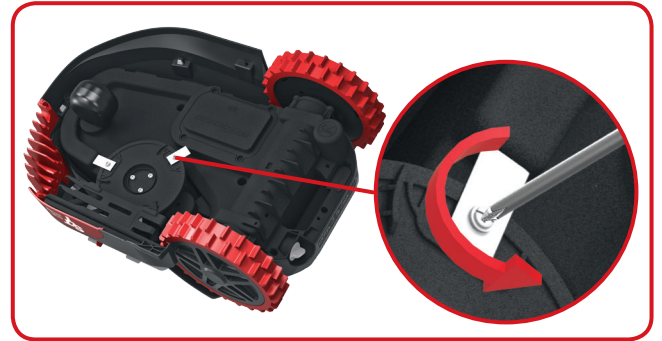
## A Bıçakları Yenileyin

Belli bir zaman sonra, genellikle her mevsim, MissionNANO™'inizin Bıçaklarının değiştirilmesi gerekecektir. Dolayısıyla, Bıçakları değiştirirken hepsini aynı anda değiştirdiğinizden emin olun. MissionNANO™ ile birlikte verilen ayrı Bıçak kiti ve fazladan Bıçak vidaları ile bunları değiştirebilirsiniz.

MissionNANO™'inizin Bıçaklarını değiştirmeye başlamadan önce, cihazınızı KAPALI konuma getirip koruyucu eldiven takın. Sonra, aşağıdaki adımları izleyin:

1. MissionNANO™'i yavaşça ters çevirin.
2. Batarya kapağını ve bataryayı çıkarın.
3. Vidaları bir tomavida yardımıyla bıçaklardan sökün.
4. Yeni Bıçakları sıkıca vidalayın.
5. Bataryayı ve batarya kapağını tekrar takın.

**ÖNEMLİ: Bıçağı Bıçak Diskine taktıktan sonra, Bıçağın rahatça döndüğünden emin olun.**



# 2

## Temiz tutun



**UYARI: Temizlemeden önce MissionNANO™'inizi Kapalı konuma getirin. Bıçak Dönme Diskini temizlemeden önce koruyucu eldiven takın ve musluk suyu kullanmayın.**

## A. Gövdeyi Temizleme

Düzenli olarak temizlenirse, MissionNANO™ daha mutlu ve daha uzun bir hayat yaşayacaktır. MissionNANO™'iniz elektrikle çalışan bir makine olduğundan temizlerken özen göstermeniz gerekse de, **hortum, yüksek basınçlı yıkama makineleri kullanmayın veya başka şekilde MissionNANO™'inize musluk suyu dökmeyin**, en iyi yöntem su ile doldurulmuş bir sprey şişe kullanmak olacaktır. Makine gövdesini temizlerken yumuşak bir fırça veya temiz bir bez kullanın ve çözücü veya parlaticı kullanmaktan kaçının. Son olarak, kesilen çim ve artıkların oluşturduğu birikintileri ortadan kaldırdığınızdan emin olun.



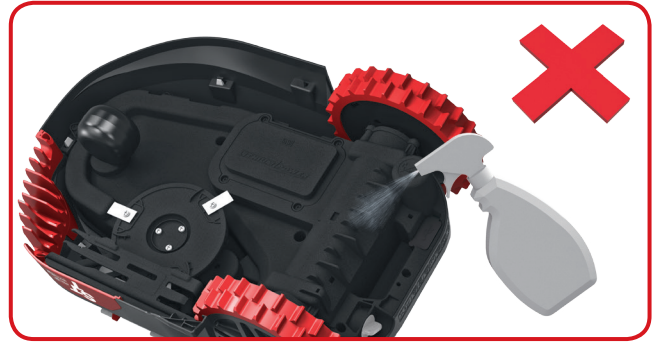
## B. Alt Kısmını Temizleme

Bir kere daha, **Bıçak Dönme Diskine dokunmadan önce MissionNANO™'i kapalı konuma getirmek ve koruyucu eldiven takmak** önemlidir. Öncelikle, alt kısmı üste gelecek şekilde MissionNANO™'inizi ters çevirin. Burada Bıçak Diski, iskelet ve Ön Teker ile Tahrik Tekerini göreceksiniz. Hepsini yumuşak bir fırça veya nemli bir bez ile iyice temizleyin.

166  
Tr

**UYARI: MissionNANO™'in altını ASLA akan suyla temizlemeyin.**

Parçalarda hasar meydana gelebilir. Rahatça döndüğünden emin olmak için Bıçak Diskini döndürün. Bıçakların sabitleme vidalarının etrafında rahatça döndüğünden emin olun. Herhangi bir tıkanıklık durumunda çıkarın. **ÖNEMLİ: Bıçak Diskinde herhangi bir çatlığa sebep olmaması için tüm tıkanmış artıkları temizleyin. En ufak bir çatlak bile, MissionNANO™'in çim biçme verimini düşürebilir.**



## C. Temas pimi ve şarj şeritlerini temizleyin

MissionNANO™'de bulunan Şarj İstasyonu ve Şarj Şeritleri üzerindeki Temas Pimlerini bir bezle temizleyin. MissionNANO™'in her seferinde başarıyla şarj edildiğinden emin olmak için Temas Pimleri etrafındaki çim ve artık birikintilerini temizleyin ve düzenli olarak şeritleri şarj edin.



# 3

## Batarya Ömrü

MissionNANO™'in kalbi, 20 voltluk lityum iyon bataryasıdır. Bataryanın doğru şekilde korunması için, -20°C-60°C arasında serin ve kuru bir yerde tamamen şarj edilmiş olduğundan emin olun..

**NOT:** Önerilen MissionNANO™ çalışma sıcaklığı 0-55°C arasındadır.

MissionNANO™ bataryasının ömrü çeşitli faktörlere bağlıdır, bunlar:

- Bölgenizdeki çim biçme mevsiminin süresi
- MissionNANO™'in günlük çim biçme süresi
- Saklanma süresince batarya bakımı

MissionNANO™, kenar teli olmadan manuel olarak şarj edilebilir.

1. Şarj İstasyonunu uygun bir güç kaynağına bağlayın. Şarj İstasyonunda yeşil ışık yanacaktır.
2. MissionNANO™ kapalıyken MissionNANO™'i Şarj İstasyonuna manuel olarak yerleştirin.
3. Şarj İstasyonundaki yeşil ışık kırmızıya dönecektir. MissionNANO™ şarj olmaya başlayacaktır.



# 4

## Kış Uykusu

MissionNANO™ 'inizin kış uykusuna yatmasına izin verirsiniz, daha uzun ve sağlıklı yaşayacaktır. Bu yüzden, zor olmasına rağmen kışın MissionNANO™'i depo veya garajda saklamanızı öneririz.

MissionNANO™'inizi kış uykusuna hazırlamadan önce size şunları tavsiye ederiz:

- MissionNANO™'inizi iyice temizleyin
- Bataryayı tamamen şarj edin
- Kapalı konuma getirin

Batarya ömrünü en üst seviyeye çıkarmak için, kışın saklamadan önce bataryanın tamamen şarj edilmesi önerilir.

**⚠ UYARI: MissionNANO™'in alt kısmını sudan koruyun. İçine su kaçması durumunda ASLA MissionNANO™'i ters çevirmeyin.**

Uçlarını yağlı teneke kutu gibi bir yerde korumanız gerekmesine rağmen Kenar Teli yerde kalabilir. Şarj İstasyonu kışın dışarıda bırakılıyorsa, Kenar Teline bağlı halde bırakın.

**Not:** Kış uykusundan sonra MissionNANO™'i çalışması için geri getirirken, Şarj Şeritleri ve Temas Pimlerinin temiz olduğundan emin olun, temizlemek için ince bir zımpara bezi kullanın. Uygulama aracılığıyla tarih ve saatin doğru olduğundan emin olun ve MissionNANO™'i, ustalıkla yaptığı çim biçme işlemine geri gönderin.

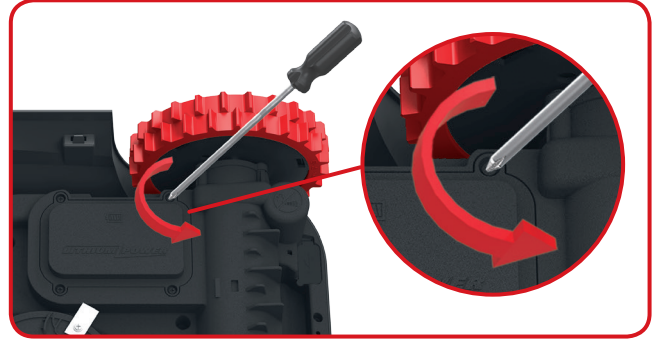
# 5

## Batarya Değişimi

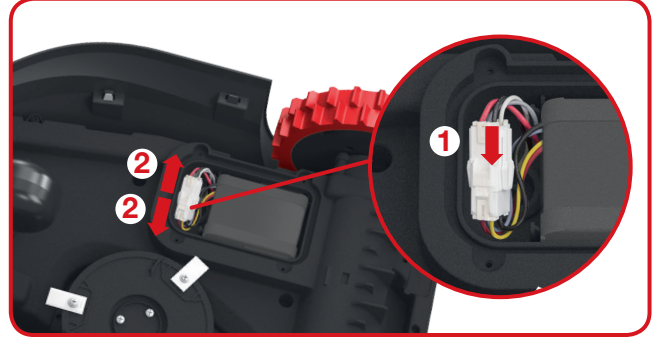
**⚠ UYARI: Herhangi bir ayar, değişim veya onarıma başlamadan önce cihazı kapatın. Bıçakları veya değiştirmeden önce MissionNANO™'inizi KAPALI konuma getirip koruyucu eldiven takın.**

Bataryayı deęiřtirmeniz gerekiyorsa, ařaęıdaki adımları takip edin:

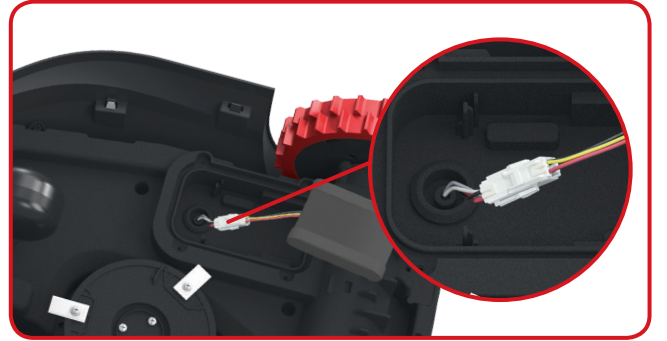
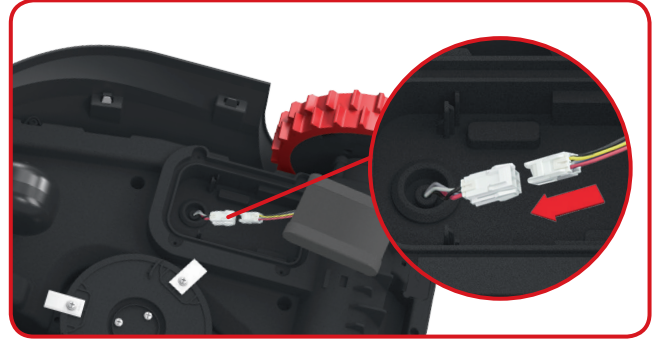
1. MissionNANO™'inizi nazikçe ters çevirin.
2. Batarya kapaęındaki vidaları sökün. Batarya kapaęını çıkarın.



3. Eski bataryayı dikkatlice kaldırın. Sürgüyü itin ve bağlantıları kesin  
**NOT:** Kabloyu çekmeyin. Baęlayıcı aparatı tutunuz ve mandal kili serbest bırakın.



4. Baęlayıcı aparatları kilitlenceye kadar birbirine tutturarak yeni orijinal bir batarya baęlayın.



5. Bataryayı gösterildięi gibi yerleřtirin Kapaęı eski yerine yerleřtirip vidaları iyice sıkın.





# Montaj Sorun Giderme

MissionNANO™ düzgün çalışmazsa, aşağıdaki sorun giderme kılavuzunu takip edin. Sorun devam ederse satıcınıza başvurun.

Belirti	Sebeup	Eylem
Şarj tabanındaki LED ışığı yanmıyor.	Elektrik yok.	Güç kablosunun şarj cihazına uygun şekilde bağlı olduğunu ve şarj cihazının uygun bir güç kaynağına bağlı olduğunu kontrol edin.
Şarj tabanında yeşil ışık yanıp sönüyor.	Kenar Teli bağlı değil.	Kenar Telinin şarj istasyonuna doğru şekilde bağlanıp bağlanmadığını kontrol edin.
MissionNANO™'iniz bölgesinde ve kenar teli bağlı. Hata gösterge ışığı kırmızı renkte yanıp sönüyor.	Kenar tel uçları yanlış kilitlemiş.	Kenar tel uçlarını ters yöne çevirin.
MissionNANO™ Şarj İstasyonuna düzgün şekilde sabitlenemiyor	Çevresel etkiler	MissionNANO™'i yeniden başlatın.
	Şarj Şeridinde bulunan kalıntı zayıf bağlantıya sebep vermiştir.	Şarj İstasyonundaki Temas pimlerini ve MissionNANO™'in üzerindeki şarj şeritlerini bir bez yardımıyla temizleyin.
MissionNANO™ kenar telinin dışına çıkıyor. MissionNANO™ kenar teli içindeki alanı biçmiyor. MissionNANO™, kenar telinin yakınında ters dönüyor veya yanlış yöne gidiyor.	Başka bir MissionNANO™ veya markalı robotik biçme makinesinin kenar teli çok yakına yerleştirilmiş.	MissionNANO™ Kenar Telinizin komşunuzun kenar teliyle arasında en az 1 metre boşluk bulunduğundan emin olun.
	Kenar teli, sağlam köşelerle kurulmuştur.	Köşelerin rahat olduğundan emin olmak için kenar telini kontrol edin.
	Islak koşullarda, telin birleştiği veya onarıldığı yerlerde elektrik sinyalinde sızıntı olabilir.	Kenar teli ek yerlerini kontrol edin. Tamamen su geçirmez bir bağlantı için yalıtım yapın.
	Bozuk yalıtımdan dolayı kenar teli elektrik sinyalinde sızıntı mevcut.	Hasar görmüş kenar telini bağlantı aygıtlarıyla onarın.
	Kesme alanı MissionNANO™ için izin verilen kesme alanından daha büyüktür.	Kesme alanine düşürün.
MissionNANO™, tepeden inerken yüksek hızdan dolayı kenar telinden çıkıyor.	Kenar Teli %17 (10°) den daha dik bir yokuşa yerleştiriliyor.	Kenar Telini %17 (10°) den daha dik yokuşlardan uzağa yerleştirin.

## Çevre koruma



Atık elektronik ürünler, evsel atıklarla birlikte atılmamalıdır. Lütfen, tesislerin bulunduğu yerlerde geri dönüşüm yapın. Geri dönüşüm önerileri için Yerel Yetkililere veya satıcınıza danışın.

# Uygunluk beyannamesi

My,  
Positec Germany GmbH  
Grüner Weg 10, 50825 Cologne, Germany

Ürünümüzün aşağıdaki Direktiflere uygun olduğunu beyan ederiz,  
Ürünün tarifi **Robotik Çim Biçme Makinesi**  
Tip **KR100 (100-199- çim biçme robotu sistem tasarımı ve temsili görseli) (Yıl, madde numarası ve seri numarasının ayı arka sayfaya yerleştirilir. Tam seri numarası çim biçme makinesinin kapağında açıkça belirtilmiştir) akü şarj cihazı KA0200 / KA0201 ve şarj tabanı charging base KA0070 ile**  
Fonksiyonu **Çim biçme**

Aşağıdaki direktiflere uygundur,  
**2006/42/EC, 2014/30/EU, 2014/35/EU, 2011/65/EU, 2000/14/EC ile yeniden düzenlenen 2005/88/EC, 2014/53/EU**

2000/14/EC ile yeniden düzenlenen 2005/88/EC

- Ek V uyarınca Uygunluk Değerlendirme Prosedürü **Annex V**
- Ölçülen Ses Gücü Seviyesi **67.6 dB (A)**
- Beyan Edilen Garanti Edilen Ses Gücü Seviyesi **68 dB (A)**

Uyulmakta olan standartlar,

**EN 60335-1:2012+A11:2014, EN 50636-2-107:2015, EN 60335-2-29:2004+A2:2010, EN 62233:2008, EN ISO 3744:2005, EN 55014-1:2006+A1:2009+A2:2011, EN 61000-3-2:2014, EN 61000-3-3:2013, EN 55014-2:2015, EN 61558-1:2005+A1:2009, EN 61558-2-16:2009+A1:2013, EN 300 328 V2.1.1, EN 301 489-1 V2.1.1, EN 301 489-17 V3.1.1, EN 62311:2008**

170

Tr

Teknik dosyayı oluşturmaya yetkili kişi,

**Meno Marcel Filz**

**Adresa Positec Germany GmbH, Grüner Weg 10, 50825 Cologne, Germany**



2018/02/09

Allen Ding

Başmühendis, Test ve Belgelendirme

Positec Technology (China) Co., Ltd.

18, Dongwang Road, Suzhou Industrial

Park, Jiangsu 215123, P. R. China





# MISIONNANO™

[www.kress-robotik.com](http://www.kress-robotik.com)