

L800520.0.8

Airfree®

Instruction Manual

Instruction Manual

Manuel d'instruction

Manuel d'instruction

Manuale d'istruzioni

Manuale d'istruzioni

Bedienungsanleitung

Bedienungsanleitung



Airfree® Lotus
Airfree® Lotus

Index

Safety Instructions	6
The Invisible Enemies.....	7
Applications.....	7
Airfree® and Mould.....	9
Airfree® Description	9
Installing and Connecting.....	10
Technical Characteristics	11
How does Airfree® Work? Maintenance.....	11
Airfree® Independent and Efficiency Tests.....	12
Frequently Asked Questions	13
Warranty.....	15

Congratulations for having purchased your Airfree®.

Airfree® air purifiers are manufactured under license of US Patent 5,874,050, and many other patents pending worldwide. Airfree® was designed with the most advanced American and German technologies, to drastically destroy indoor airborne microorganisms and reduce ozone.

Different from other air purifier manufacturers, Airfree® does not spend much time in describing fancy technologies with difficult words and theories. Airfree® offers independent efficiency tests instead. For every Airfree® claim there is one independent test to prove it!

Please carefully read this manual to achieve the best air purifying results.
Enjoy your Airfree®.

Thank you,
AIRFREE® PRODUCTS

Copyright 2014 Airfree® Produtos Eletrónicos S.A. All Rights Reserved
All rights reserved. No part of this publication may be reproduced, photocopied, transmitted, transcribed, stored in a retrieval system, or translated into any language in any form or by any means without the express prior written consent of Airfree® Produtos Eletrónicos S.A.

Index

Instructions de Sécurité	16
Les ennemis invisibles.....	17
Utilisations	17
Airfree® et les moisissures	19
Description de l’Airfree®	19
Installation et mise en route.....	20
Caractéristiques techniques	21
Comment fonctionne Airfree® ? Maintenance	21
Test indépendants de l’efficacité d’Airfree®	22
Questions fréquentes	23
Garantie.....	25

Félicitations pour l’acquisition de votre Airfree®.

Les purificateurs d’air Airfree® sont fabriqués sous licence de l’US Patent 5,874,050 ainsi que d’autres brevets dans le monde entier. Airfree® a été conçu avec les technologies germano-américaines les plus avancées pour détruire drastiquement les micro-organismes aériens et réduire l’ozone.

À la différence d’autres fabricants de purificateurs d’air, Airfree® ne s’étale pas sur une description de technologies avec un vocabulaire et des théories complexes. À la place, nous présentons des tests d’efficacité indépendants. Pour chaque affirmation d’Airfree®, il y a un test de laboratoire indépendant pour preuve !

Lisez soigneusement ce manuel pour une purification d’air optimale.
Profitez de votre Airfree® !

AIRFREE® PRODUTOS

Copyright 2014 Airfree® Produtos Electrónicos S.A. Tous droits réservés.

Toute reproduction, copie, transmission, transcription ou traduction, même partielle, de cette publication est interdite sauf autorisation écrite préalable d’Airfree® Produtos Electrónicos S.A.

Indice

Istruzioni di sicurezza	26
I nostri nemici invisibili	27
Applicazioni	27
Airfree® e la muffa	29
Descrizione di Airfree®	29
Installazione e collegamenti	30
Caratteristiche di Airfree®	31
Come funziona l'Airfree®? Manutenzione.....	31
Test indipendenti sull'efficacia di Airfree®	32
FAQ (Domande frequenti)	33
Garanzia Limitata	35

Congratulazioni per l'acquisto del tuo Airfree®.

I Purificatori d'aria Airfree® sono prodotti su licenza della US Patent 5,874,050, e molti altri brevetti in attesa di approvazione a livello mondiale. L'Airfree® è stata progettata con le più avanzate tecnologie americane e tedesche per eliminare drasticamente i microrganismi presenti nell'aria e ridurre l'ozono.

Diversamente dagli altri produttori di purificatori d'aria, l'Airfree® non perde tempo descrivendo fantasiose tecnologie con parole difficili e teorie. L'Airfree® offre, piuttosto, test di efficienza indipendenti. Per ogni reclamo alla Airfree® c'è un test indipendente per dimostrarlo!

Si prega di leggere attentamente questo manuale per ottenere i migliori risultati di depurazione dell'aria. Goditi il tuo Airfree®.

Grazie,
AIRFREE® PRODUCTS

Copyright 2014 Airfree® Productos Electrónicos S.A.

Tutti i diritti sono riservati. Nessuna parte di questo documento può essere riprodotta, fotocopiata, trasmessa, trascritta, memorizzata in un sistema di archiviazione dati, o tradotta in qualsiasi lingua, in qualsiasi forma e con qualsiasi mezzo senza il previo consenso scritto della Airfree® Productos Electrónicos S.A.

Inhaltsverzeichnis

Sicherheitshinweise.....	36
Die unsichtbaren Feinde	37
Anwendungsbereiche.....	37
Airfree® und Schimmel	39
Eigenschaften des Airfree®	39
Installation und Anschluß des Airfree®.....	40
Technische Spezifikationen	41
Wie Arbeitet mein Airfree®? Instandhaltung	41
Unabhängige Leistungstests	42
Häufig gestellte Fragen	43
Gwährleistung.....	45

Wir gratulieren für den Erwerb Ihres Airfree®

Die Airfree® Luftreiniger werden unter Lizenz des amerikanischen Patentes 5.874.050, sowie mehrerer Patentanmeldungen weltweit, hergestellt. Airfree® wurde mit amerikanischer und deutscher Spitzentechnologie hergestellt, um drastisch die internen luftgeschützten Mikroorganismen zu bekämpfen und das Ozon zu reduzieren.

Anders als von anderen Luftreinigerherstellern praktiziert, verwendet Airfree® nicht viel Zeit um kunstvolle Technologien zu beschreiben mit schwierigem Text und Theorien. Stattdessen bietet Airfree® Leistungsprüfungen an. Für jeden Airfree® Anspruch besteht ein selbständiger Test um dies zu beweisen!

Um die besten Luftreinigungsergebnisse zu erhalten, lesen Sie bitte sorgfältig die vorliegende Gebrauchsanweisung.

Viel Spaß mit Ihrem Airfree®.

Danke.

AIRFREE® PRODUCTS

Copyright 2014 Airfree® Productos Electrónicos S.A.

Alle Rechte vorbehalten. Kein Teil dieser Veröffentlichung darf ohne vorherige Zustimmung von Airfree® Productos Electrónicos S.A. reproduziert, fotokopiert, übermittelt, übertragen, in einem Datenabrufsystem gespeichert, oder in eine andere Sprache übersetzt werden.

Safety Instructions



This appliance is not intended for use by persons (including children) with reduced physical, sensory or mental capabilities, or lack of experience and knowledge, unless they have been given supervision or instruction concerning use of the appliance by a person responsible for their safety.



Do not place your Airfree® in direct contact with water or liquids as this may pose an electric shock hazard and damage the unit itself.



Do not obstruct Airfree® air outlets with items such as towels, clothing, curtains, etc., as they can cause overheating and irreparable damage to the unit.



Do not attempt to open Airfree® or touch its internal components or insert any objects as it may pose electric shock. Any attempt to open or tamper Airfree® will void the warranty.



To clean Airfree®, unplug it from the electric outlet and use a dry cloth to wipe off its surface. Do not attempt to open Airfree® to clean it inside. Only Airfree® authorized dealers have the expertise and authorization to repair your Airfree®.



In the event of a return for repair, make sure Airfree® is well protected preferably inside its original box to avoid further damage. To find the nearest Airfree® dealer visit: www.airfree.com



Always keep Airfree® in its vertical position as shown in the picture. The Lotus' light will start blinking if Airfree® is not in its vertical call, or if it is poorly installed will eventually result in malfunctioning.



Airfree® shall not be placed near flammable and toxic products.

If the supply cord is damaged, it must be replaced by the manufacturer, its service agent or similarly qualified persons in order to avoid a hazard.

The Invisible Enemies

Most people spend around 90% of their time indoors, at home or in the office.

The EPA – Environmental Protection Agency claims the quality of air indoors can be 100 times worse than outdoors. Some factors that contribute to indoor contamination:

- High concentration of people in rooms increase fungus, bacteria and virus development, and cross contamination
- New building insulation techniques reduce outside air interchanges and consequently air conditioning running cost, but in turn it drastically increase mould, and bacteria colonies
- Deficient air conditioning duct cleaning
- Concentration of organic material such as books, carpeting, curtains, and sofas.

Good air quality indoors is a must for those affected by respiratory diseases and allergies. Contaminated indoor air (fungus, airborne allergens, pollens, ozone) can trigger

- Asthma, bronchitis, rhinitis, and sinusitis
- Fungal infections in immune depressed patients
- Eye, throat and nose irritation
- Headaches, lethargy, irritability
- Cough and difficulty in concentration

Relation between microorganisms and related diseases.

Inoculums(*) X Virulency (**)

Human Resistance

(*) Quantity of microorganisms (**) Microorganism aggressiveness

The higher “Inoculums” and “Virulency” and or the lower “Human resistance” results in greater contamination risk to people. The main contamination causes are several types of fungus, (some of them already resistant to the most powerful chemicals and poisons), bacteria, viruses, the fine dust mite excrements and skeletons containing powerful allergens and hazardous fungus, and the seasonal pollens.

Airfree® can safely and silently destroy those allergens.

Applications



Healthy rooms with pure clean air - The efficient and noiseless Airfree® technology safely destroys mould spores, bacteria, viruses and other airborne organic microorganisms.



Respiratory allergies and Asthma - Airfree® drastically reduces airborne organic allergens and ozone, providing a cleaner and safer environment for allergic people. Airfree® destroys mould spores, bacteria, viruses, dust mite allergens, pet dander and reduces ozone, all kept to minimum levels.



Children and Newborns - Studies demonstrate that reducing dust mite allergen exposure to young children will lessen the development of asthma.



Mould and Mildew - Airborne Mould spores that float throughout the house potentially cause allergic reactions. Those spores also start new mould colonies and expand existing ones. Airfree® destroys airborne mould and mildew spores, helping to prevent new contaminations.



Odours - Airfree® can reduce some odours like “mildew smell” and other organic odours.



Kitchens and Pantries - The reduction of airborne fungi and spores in areas protected by Airfree® helps prevent mildew on food.



Video, films, slides, sound and optical equipment - The reduction of airborne spores in rooms protected by Airfree® provides the best environment to store cameras, videos, pictures, slides, negatives and any device potentially affected by fungi. Quietly and safely Airfree® protects your belongings and memories.



Yachts, Cruisers - Airfree® safely eliminates fungi spores, mould, mildew, dust mites, bacteria, and strange odours. Many of which contribute to common problems of boat owners.



Offices, Public Buildings - Populated rooms, corridors, and elevators offer a constant contamination risk to employees and guests. This situation is aggravated by the flow of hazardous fungi and other microbes entering through the A/C system, and the ozone generated by computers and photocopiers. The spread of airborne transmittable diseases can accelerate in this environment. Airfree® is a powerful weapon in the reduction of airborne contamination by viruses, bacteria, fungi, and a myriad of allergens.



Libraries and Museums - The fungi spores that become mould or mildew are always present. When the temperature and moisture in the environment are suitable for germination, the spore bursts and growth begins. This growth contaminates books, clothing, documents, and works of art. Airfree® destroys mould and mildew, providing a healthier environment for users and employees.



Schools, Kindergartens - Airborne transmittable diseases are a great concern for students, parents, teachers, and principals. Influenza, meningitis, rubeolla, and other nasty microbes flow freely in the air. The use of Airfree® in classrooms demonstrates the principal's concern for their students and staff well being. It also reduces schools' exposure to lawsuits, such as with mould-affected diseases that may be common throughout the USA.



Pollens - Pollens are no exception and like other microorganisms are totally destroyed when passing through Airfree® patented sterilising core. After being destroyed the resulting harmless particles are released back to the environment.



Ozone (O3) - Ozone is a very toxic gas that according to EPA can damage lung tissue, cause chest pain, throat irritation and trigger asthma. The FDA, the US Food and Drug Administration, recommends not to use any equipment directly or indirectly generating ozone in Hospitals or where the patients are present. Airfree® is proven to reduce ozone levels by 26%, every time air passes through its ceramic core.



Viruses, Bacteria, Fungus and Germs - Airfree® destroys all airborne microscopic threatening microorganisms cited above including the smallest microbes like those of meningitis, pneumonia and scarlet fever, that can not be trapped in air filters or in other equipment using different technologies. Scientists confirm that virus, fungus, and bacteria molecular structure (composed by proteins), can not survive high temperatures as those seen inside Airfree® patented ceramic core.



Hospitals, Clinics and Laboratories - Airborne contamination is quite a concern for hospitals. With Airfree®, the hospital environment becomes safer. Airfree® is indispensable in waiting rooms, infirmaries, and recovery rooms due to its efficiency in destroying airborne viruses bacteria, and fungi. Airfree® also reduces ozone that can affect patients with respiratory ailments. Laboratories no longer need to stop all activities for chemical air disinfection and will gain working hours.



Restaurants - Airfree® offers continuous air sterilisation. Silently, Airfree® provides the additional protection that patrons expect. All viruses and bacteria that pass through Airfree's patented sterilising ceramic core are destroyed. Restaurants are recommended to submit their floor plans to ensure proper coverage inside their facilities.



Dust Mites - Many allergic reactions are caused by dust mites. The fine dust generated from their skeletons and excrements contain hazardous fungus and allergens that when inhaled cause allergic reactions. Those allergens and fungus are totally destroyed inside Airfree® ceramic core. Fungus reduction by Airfree® in the indoor environment also reduces dust mite population as they need certain types of fungus to survive.



Hotels and Retire Homes - The use of Airfree® in guest rooms shows concern on behalf of the hotel to its guests well being. The use of Airfree® can contribute to a higher occupancy rate and may provide a good line of defense in case of lawsuits. Airfree® has independent tests proving its efficiency.

Guide for Airfree® installation in mould contaminated rooms

- 1 - Install your Airfree® unit in accordance with the user manual
- 2 - Allow your unit to run for at least one week to achieve significant airborne mould spore reduction.
- 3 - Clean mould infected items and surfaces, since they are a continuous source of new spores.

It is important to stress that Airfree® will not destroy or remove mould from an infected item or surface. Those surfaces must be cleaned manually.

Airfree® will prevent spores released by existing mould colonies from contaminating other areas, and will inhibit the growth of existing and new colonies.



Without Airfree®



With Airfree®

Illustration images based on Airfree® Independent Test results. Results may vary depending on the room and environment conditions.

Airfree® Description

1- Top lid with air outlets and illumination

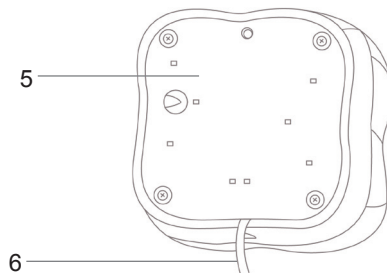
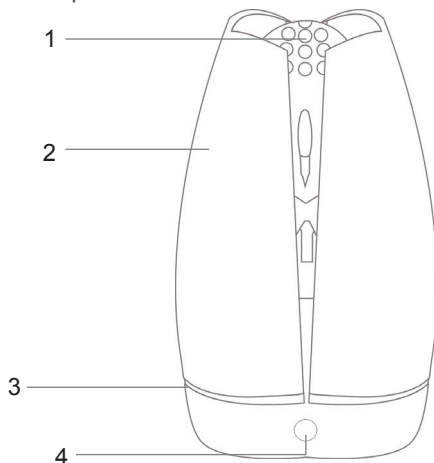
2- Moving Petals

3- Air inlets

4- ON/OFF and led colour control sensor

5- Base

6- Power cord



The Airfree® Lotus' light does not intervene or has any relation with Airfree's patented sterilisation core functioning.

Installing and Connecting



Plug power cord into the nearest outlet.
Make sure the surface is dry (never place Airfree® on wet floor or immerse in water).



Place Airfree® on a flat surface not under furniture, shelves, or behind curtains, as it will reduce airflow and Airfree® efficiency in reducing microorganisms.



Place each Airfree® Lotus in rooms up to 60 m². For larger rooms use proportionally additional Airfree® units. The use of just one Airfree® in rooms larger than recommended will reduce Airfree® efficiency.



Airfree® must be continuously on in the same room, 24 hours a day.



Airfree® can only be used in rooms with minimum air volume of 10 m³, free of obstacles.



Airfree® can be installed in rooms equipped with air conditioning and heating systems. However it is recommended not to place Airfree® nearby them to avoid potential interference in Airfree® air flow.



Airfree® can be placed in corridors but its air sterilisation effects will not affect adjacent rooms



Airfree® shall not be placed near doors or under windows to avoid sterilised air to exit the room.



To change globe light colours press the sensor on the back of Airfree®. Each touch will switch to the next colour. For the random mode please switch to pink and let it be. Maintaining finger pressed on the sensor will increase or diminish brightness.



To open Airfree® Lotus' petals, press the top lid centre.

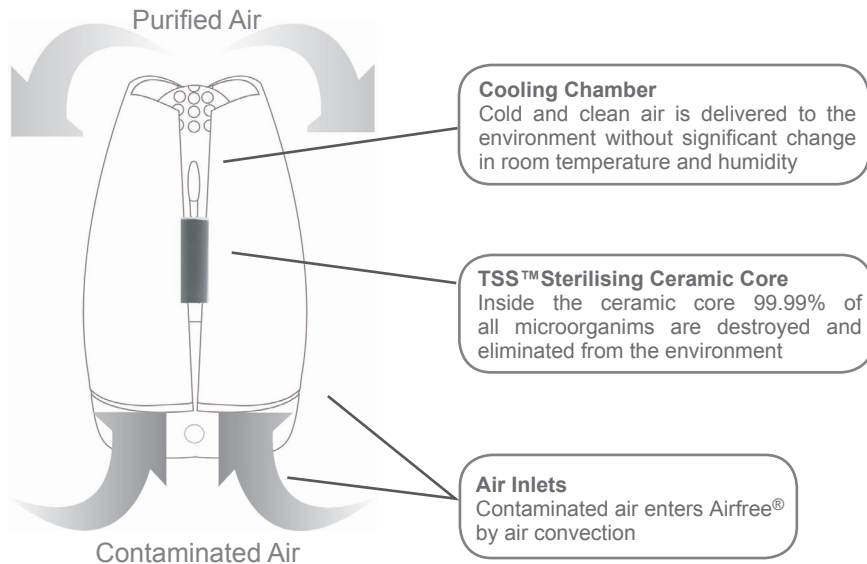


To close the petals, move them simultaneously towards the centre.



Model	Lotus
Capacity	60 m ²
Electric Consumption	52W
Voltage	220V - 240V
Noise	Totally Silent
Weight	2.4 kg
Dimensions	Length: 19.5 cm Width: 19.5 cm Height: 33 cm

How does Airfree® Work? Maintenance



How Airfree® works?

Contaminated air silently enters Airfree® by air convection and is sterilised inside Airfree® patented ceramic core where all microorganisms are destroyed at high temperatures. Regardless of how hazardous a virus, fungus or bacteria might be they can not resist the powerful heat inside the ceramic core and are destroyed. The heat inside the ceramic core forces sterilised air out to the heat exchanger causing air convection, which generates negative pressure underneath the ceramic core, so contaminated air is “sucked” in at Airfree® bottom air inlets in a continuous and silent thus efficient air flow.

The association of the ceramic core, special ceramic and air flow reduces at the same time toxic ozone.

AIRFREE® TECHNOLOGY EFFICIENCY TESTS BY INDEPENDENT LABORATORIES, INSTITUTES AND UNIVERSITIES IN FOLLOWING COUNTRIES.

Laboratory	Local	Reduction of Microorganisms		
		Fungus	Bacteria	Dust Mite allergens DerP-1
Insect R&D Limited Cambridge, UK	Laboratory			70.6% to 97.95%
SGS Natec Institute* Hamburgo/Germany	Laboratory Office	99%	99%	
Technical Micronics Control Huntesville/USA	Laboratory	93%	78%	
Univ. Complutense de Madrid Madrid/Spain	Clinical Laboratory	69%	79%	
AINIA Valença Spain	Cold Chamber	86%		
INETI* Lisbon/Portugal	Torre do Tombo Portuguese National Archive	93%	94%	
INETI* Lisbon/Portugal	RTP Video Archive	74%	70%	
INETI* Lisbon/Portugal	Bank Branch	77%		
Univ. Nova of Lisbon	Laboratory	90%	62%	
Campana Laboratory/ São Paulo/Brazil	Chemical Laboratory	99%	83%	
INETI* Lisbon/Portugal	Closed Environments	98%	87%	
INETI* Lisbon/Portugal	Hotel Rooms	92%	82%	

Above and other tests can be seen at our web site www.airfree.com

* Certified by ISO 17025

1. How does Airfree® work?

Airfree® destroys microorganisms at its heated capillaries. Contaminated air is dragged into Airfree's ceramic core by air convection and microorganisms are destroyed at high temperatures regardless of how resistant and dangerous they might be.

2. Are there any side effects?

No. Airfree's new technology uses heat to purify the air. No side effects, no emissions, NO IONS, nor new particles are generated. Airfree® should be used in all homes and offices, quietly, constantly, and efficiently purifying the air.

3. My Airfree® does not stop blinking. What does that mean?

Cause 1: Airfree® incorporates an automatic energy-saving feature that automatically shuts off the ceramic core when it reaches over the required temperature to start and maintain the air convection that draws the air into the machine to destroy microorganisms and organic odours. In this event the ceramic core shuts down for a few minutes, and the top lights will blink (in the models that have top lights). During this period Airfree® continues to sterilise the air.

Cause 2: Another factor to Airfree's blinking occurrence is the ambient air over 35 °C when Airfree® auto-regulates itself to turn off the ceramic core for a few minutes while still sterilising the air, causing the top lights to blink in those models that have the top lights. During this event there is no energy consumption.

Cause 3: Airfree® incorporates state of the art electronics detecting any improper placement or device malfunctioning. If the top lights does not stop blinking, please ensure that your Airfree® unit is in the upright position. If the top and bottom air inlets are free of blockage, or if your Airfree® is connected to a faulty electric outlet. Just in case always plug your Airfree® into a different outlet. If in the next 10 minutes the top lights continue blinking and your Airfree® unit is correctly installed, that indicates that the device may be defective in which case please contact your dealer.

4. What is Airfree's air cleaning capacity?

Airfree® Lotus was designed for rooms up to 60 m².

5. Can I install Airfree® in my walking closet ?

Yes, as long as it has at least 10 m³. Airfree® should not be placed under shelves or its efficiency will be reduced. * as reference 10 m³ is approximately 2.15 m x 2.15 m.

6. Can I use Airfree® in air conditioned rooms?

Yes.

7. How do I know if Airfree® is no longer working?

Check the top lid, if it is warm Airfree® is working.

8. Can I place Airfree® at the corridor to reach the whole house?

No. Airfree® will just reduce air pollution in the corridor's area.

9. Can I place Airfree® in a closed room?

Yes. Please remember such a room must have at least 10 m³ * as reference 10 m³ is approximately 2.15 m x 2.15 m.

10. Does Airfree® eliminate bacteria and viruses?

Yes. Unlike the air filters in the market Airfree® is more efficient with the smallest microorganisms as they are easily carried by Airfree's airflow into its heated ceramic core.

11. Can I change Airfree® from one room to another?

Airfree® must always be plugged in the same room 24 hours a day. Airfree's patented technology works gradually and cannot have its cycle interrupted. Moving it from one room to another will interrupt the cycle and will recontaminate the room. See question 13 below.

12. Should I turn off Airfree® when I leave house?

No. Airfree® must always be on.

13. What happens if Airfree® is disconnected or there was a black out?

Airfree® will take approximately the same time to recover the previous reduced contamination level.

14. Does Airfree® heat up a room?

No. Airfree® does not noticeably increase room temperature. To have an idea 2 Airfree's plugged in the same room will contribute as much heat as the presence of one adult in that same room.

15. Does Airfree® provoke any change in room's the relative humidity?

No.

16. Does CADR measure the effectiveness of the Airfree®?

Not at all. CADR is not designed to test the Airfree® technology. The AHAM seal (usually found on the back of an air cleaner's box) lists three Clean Air Delivery Rate (CADR) numbers: one for tobacco smoke, one for pollen and one for dust. The CADR indicates volume of filtered air delivered by an air cleaner. The higher the tobacco smoke, pollen and dust numbers, the faster the unit filters the air. The main reason why CADR is not designed for Airfree® is because Airfree does not filter but destroys microorganisms instead, CADR only applies to volume of filtered air delivered by an air cleaner as stated above. CADR does not measure microorganism reduction like mould and bacteria only detectable by a microbiology lab. Airfree® destroys (not trap or attract to other surface) any microorganism regardless of how small they might be. 99.99% of all organic particles are fully destroyed when passing through the Airfree® U.S. patented ceramic core.

17. How does Airfree® destroy dust mites?

Mould reduction in the environment causes reduction in the mould dependant dust mite population. Airfree® also destroys the harmful toxins and fungus freed by dust mite feces that trigger respiratory allergies.

18. How does Airfree® eliminate fungi?

As mentioned before, Airfree® eliminates airborne microorganisms included fungi and spores. By eliminating spores new colonies are unlikely to develop, representing less future airborne spores.

19. How does Airfree® destroy viruses?

Those microscopic microorganisms are easily eliminated inside Airfree's ceramic core capillaries. The temperature inside of Airfree's capillaries is much higher than required to destroy them. Airfree® is your greatest ally in respiratory disease prevention.

20. Does Airfree® reduce tobacco smell?

Yes, Airfree® reduces any kind of organic smell in the ambience including tobacco.

21. Does Airfree® release any gas or chemical product?

No. Airfree's sterilisation process is natural. Please check our website for conclusive tests regarding particles and ozone.

22. Does Airfree® need filter replacement?

No.

23. Does Airfree® consume a lot of energy?

No. Airfree® Lotus' consumption is just 52W.

24 - Does Airfree® Lotus' light interfere with Airfree® sterilising function?

No. The light has an aesthetic effect may be relaxing or simply used as a night light in children or newborn bedrooms.

25 - Where do the microorganisms go after they are destroyed?

As all living organisms, microorganisms and their products are basically composed by carbon, oxygen and nitrogen. Since Airfree® reaches nearly 200 °C, all the components are supposed to suffer a combustion process, which liberates carbon dioxide (the same product released by our respiration) and water. Some carbon (or ashes) may remain in the process. If there is some residual allergen left, we might consider that they suffer denaturation, a process involving loss of conformation and function. It should be noted that we are talking about reactions that occur in a microscopic level, so all these processes or by-products won't be perceived. In this case, there is no need to worry about maintenance.

26 - How does chromotherapy work?

Airfree® does not recommend or endorse the Chromotherapy but simply offers consumers the option to choose light colours. The reaction to colours varies from individual to individual. The most common attributes of colours are believed to be:

Red - Colour of joy, activity, warmth, fire, power, passion and strength. Red brings vitality to physical functions and reduces inertia, melancholy, sadness, depressions and lethargy.

Pink - Protective and nourishing colour, warm and soft. It stimulates affection and feelings of love and compassion.

White - White reflects all other colours and represents peace, chastity, innocence, purity and truth.

Violet - Reflects dignity, nobility and self-respect. It helps normalize hormonal or glandular activities.

Dark Blue- A refreshing, relaxing and serene colour. It helps cleansing your thoughts and feelings, producing clarity in your communication.

Blue - Creates a notion of space, serenity and peace. It produces a relaxing and tranquillizing effect.

Green - Its energy reflects participation, adaptability, generosity and cooperation. This colour eases emotions, helps correct reasoning and amplifies consciousness and understanding.

Yellow - Relates to the sun shining light, joy and good mood reinforcing the nervous system and muscles, including the heart, helping circulation.

Orange - Dynamism. Relates to ardour and enthusiasm energizing the body and helping assimilation.

Warranty

This product is warranted by AIRFREE® PRODUCTS, to the original purchaser to be free from defects in material and workmanship under proper use for a period of two years from date of purchase. During this period, and upon proof of purchase and date of purchase, this product will be repaired or replaced with same or similar model without charges for parts or labor (except for a €10 charge for insurance and handling) at distributor address. To be eligible for the warranty, please register at www.airfree.com or complete your warranty card at the time of purchase and mail it to the distributor. To obtain warranty service, please send the product sales receipt or proof of Purchase, and a check or money order for €10 payable to the distributor. This warranty does not apply to a product that has been misused, abused, or altered without limiting the afore-mentioned, bending or dropping the unit, defects in the electrical installation or fluctuating power levels are presumed to be defects resulting from misuse or abuse.

AIRFREE® PRODUCTS and its affiliates or wholesalers do not make any specific claim as to medicinal uses of this product nor does the manufacturer warrant that the equipment prevents some kind of diseases. NEITHER THIS WARRANTY NOR ANY WARRANTY, EXPRESSED OR IMPLIED, INCLUDING IMPLIED WARRANTIES OR MERCHANTABILITY, SHALL EXTEND BEYOND THE WARRANTY PERIOD. NO RESPONSIBILITY IS ASSUMED FOR ANY INCIDENTAL OR CONSEQUENTIAL DAMAGES, INCLUDING WITHOUT LIMITATION DAMAGES, SOME STATES DO NOT ALLOW LIMITATION ON HOW LONG AN IMPLIED WARRANTY LASTS; SOME STATES DO NOT ALLOW THE EXCLUSION OR LIMITATION OF INCIDENTAL OR CONSEQUENTIAL DAMAGES, SO THE ABOVE LIMITATIONS OR EXCLUSIONS MAY NOT APPLY TO YOU.

AIRFREE® PRODUCTS HEREBY SPECIFICALLY DISCLAIMS ALL EXPRESSED WARRANTIES NOT OTHERWISE SET FORTH HEREIN AND ANY IMPLIED WARRANTIES OR MERCHANTABILITY OR IMPLIED WARRANTIES FOR FITNESS FOR A PARTICULAR PURPOSE. THERE ARE NO WARRANTIES WHICH EXTEND BEYOND THE DESCRIPTION OF THE FACE HEREOF. This warranty gives you specific legal rights; you may have other rights, which vary from state to state, and country to country.

* AIRFREE® PRODUCTS, Rua Julieta Ferrão n° 12, 1600-131 Lisboa

- Tel.:351 - 213 156 222

- Fax: 351 - 213 516 228

- Web: www.airfree.com

- Mail: info@airfree.com

Instructions de Sécurité



Cet appareil n'est pas prévu pour être utilisé par des personnes (ou des enfants) aux capacités physiques, sensorielles ou mentales réduites ou manquant d'expérience ou de connaissance, sans qu'elles aient préalablement été formées à son utilisation par une personne responsable de leur sécurité.



Ne placez pas votre Airfree® en contact direct avec de l'eau ou des liquides. Ceci peut provoquer une électrocution et causer des dommages matériels à l'appareil.



N'obstruez pas les évacuations d'air de l'Airfree® au risque d'entraîner une surchauffe de l'appareil et de causer des dommages irréparables.



N'essayez pas d'ouvrir l'Airfree®, de toucher ses composants internes ou d'y insérer des objets. Ceci peut entraîner une électrocution. Toute tentative d'ouverture de l'appareil entraîne l'annulation de sa Garantie.



Pour nettoyer votre Airfree®, débranchez-le de l'alimentation électrique et utilisez un chiffon doux et sec pour nettoyer sa surface. N'essayez pas d'ouvrir votre appareil pour nettoyer l'intérieur : seuls les représentants autorisés ont l'expertise et l'autorisation de réparer votre Airfree®.



Dans l'éventualité d'un retour pour réparations, assurez-vous que l'Airfree® est bien protégé. De préférence, utilisez son emballage d'origine pour éviter des dommages supplémentaires. Vous pouvez retrouver votre service Airfree® le plus proche sur le site www.airfree.com



Maintenez toujours votre Airfree® en position vertical conformément au schéma.



Tenez votre Airfree® éloigné de produits inflammables ou toxiques.

Si le cordon d'alimentation venait à être endommagé, il doit être remplacé par le fabricant, un agent de maintenance accrédité ou une personne qualifiée afin d'éviter tout risque.

Nous passons généralement autour de 90% de notre temps en intérieur, que ce soit à la maison ou en entreprise. L'EPA (Environmental Protection Agency – Agence de Protection de l'Environnement) assure que la qualité de l'air intérieur peut être cent fois plus contaminée que celle de l'extérieur. Plusieurs facteurs contribuent à la contamination des intérieurs :

- La forte concentration de personnes dans les pièces augmente le développement des champignons, bactéries et virus ainsi que la contamination croisée.
- Les nouvelles techniques d'isolation des immeubles réduisent les échanges d'air avec l'extérieur pour réduire les coûts de climatisation. Ceci entraîne par contre une croissance drastique des colonies de bactéries et de moisissure.
- Les déficiences de maintenance des systèmes de climatisation et de ventilation.
- La concentration de matériaux naturels comme dans les livres, les tapisseries, rideaux et canapés.

La qualité de l'air est d'une importance capitale pour ceux qui sont atteints de troubles et d'allergies respiratoires. L'air intérieur contaminé (champignons, allergènes aériens, pollens, ozone) peut entraîner:

- Asthme, bronchite, rhinite et sinusite
- Infections fongiques sur les patients à l'immunité basse
- Irritation des yeux, de la gorge et du nez
- Maux de tête, léthargie, irritation
- Toux et difficultés de concentration

Relation entre les micro-organismes et les maladies connexes

Concentration(*) X Virulence (**)

Résistance Humaine

(*) Quantité de micro-organismes (**) Agressivité des micro-organismes

Le risque de contamination est proportionnel aux niveaux de concentration et de virulence et inversement proportionnel à la résistance de la personne. Parmi les principales causes de contamination, nous retrouvons plusieurs type de champignons (dont plusieurs sont déjà résistants aux plus puissants produits chimiques et poisons), des bactéries, des virus, les excréments et exosquelettes de acariens qui présentent de puissants allergènes et des champignons dangereux, et enfin le pollen.

Airfree® peut détruire en toute sécurité et sans aucun bruit tous ces allergènes.

Utilisations



Des chambres saines respirant un air pur – La technologie efficace et silencieuse d'Airfree® détruit en toute sécurité les spores de moisissures, bactéries, virus et autres micro-organismes en suspension de l'air.



Allergies respiratoires et asthme – Airfree® réduit drastiquement les allergènes de l'air et l'ozone et offre un environnement plus propre et plus sain pour les allergiques. Airfree® détruit spores de moisissures, bactéries, virus, allergènes d'acariens et d'animaux de compagnie, ozone et permet ainsi de maintenir leur concentration à un niveau minimal.



Enfants et nouveaux nés – Les études démontrent que la réduction de l'exposition des jeunes enfants aux allergènes des acariens, réduit le développement de l'asthme.



Moisissures – Les spores de moisissure qui flottent dans les intérieurs peuvent causer des réactions allergiques. Ces spores installent également de nouvelles colonies de moisissure et étendent les colonies existantes. Airfree® détruit les spores de moisissure de l'air ambiant et aide à prévenir de nouvelles contaminations.



Odeurs – Airfree® peut réduire certaines mauvaises odeurs comme les « odeurs de moisi » et d'autres odeurs organiques.



Cuisine et garde-manger – La réduction des champignons et des spores dans les zones protégées par Airfree® aide à protéger les aliments de la moisissure.



Vidéos, films, diapositives, audio et équipements optiques – La réduction de spores de l'air protégé par Airfree® offre le meilleur environnement pour stocker caméras, vidéos, photos, diapositives, négatifs et quelconque appareil potentiellement affecté par les champignons. Discrètement et silencieusement, Airfree® protège vos objets et vos souvenirs.



Yachts, bateaux – Airfree® élimine spores de champignons, moisissures, acariens, bactéries et odeurs étranges. Bien des problèmes de propriétaires de bateaux sont causés par ces éléments.



Bureaux, bâtiments publics – Les pièces recevant du public, couloirs et ascenseurs présentent un risque constant de contamination des employés et visiteurs. Cette situation est aggravée par le flux de champignons dangereux et autres microbes transitant par les systèmes de ventilation et de climatisation et l'ozone généré par les ordinateurs et photocopieurs. La propagation des maladies contagieuses par l'air est également favorisée par cet environnement. Airfree® est une arme puissante dans la réduction de la contamination aérienne par les virus, bactéries, champignons et une myriade d'allergènes.



Bibliothèques et Musées – Les spores de champignons sont présentes dans l'air ambiant. Lorsque la température et l'humidité de l'environnement sont adaptées à la germination, les spores s'installent et se développent. Cette croissance contamine les livres, vêtements, documents et œuvres d'art. Airfree® détruit la moisissure et offre un environnement plus sain pour les usagers et les employés.



Écoles et maternelles - Les maladies transmises par l'air sont une préoccupation importante des élèves, parents et enseignants. L'utilisation d'Airfree® dans les salles de classe démontre l'importance accordée au bien être des élèves et du corps enseignant. Il permet également de réduire l'exposition de l'école à des poursuites judiciaires.



Pollens – Les pollens ne font pas exception et sont détruites comme les micro-organismes lorsqu'ils traversent le noyau stérilisateur breveté de l'Airfree®. Les particules restantes après destructions sont sans danger et sont relâchées dans l'air.



Ozone O3 – L'ozone est un gaz très toxique qui selon l'EPA peut endommager les poumons, cause des douleurs thoraciques, une irritation de la gorge et déclencher de l'asthme. La FDA (Food and Drugs Administration américaine) recommande de ne pas utiliser d'équipements générant directement ou indirectement de l'ozone dans les hôpitaux ou dans les lieux abritant des patients. Airfree® a prouvé son efficacité dans la réduction du niveau d'ozone de 26% à chaque passage de l'air dans à travers son noyau de céramique.



Virus, bactéries, champignons et germes – Airfree® détruit tous les micro-organismes microscopiques aériens cités et également les plus petits microbes comme ceux de la méningite, la pneumonie et la scarlatine qui peuvent traverser les filtres et les autres équipements utilisant diverses technologies. Les scientifiques confirment que la structure moléculaire des virus, champignons et bactéries (composée de protéines) ne peut pas survivre aux températures du noyau de céramique de l'Airfree®.



Hôpitaux, cliniques et laboratoires – la contamination de l'air est un problème important pour la plupart des hôpitaux. Avec Airfree®, l'environnement de l'hôpital devient plus sûr. L'efficacité d'Airfree® dans la destruction des virus, bactéries et champignons de l'air est indispensable dans les salles d'attentes, les infirmeries, les salles de repos. Airfree® réduit également l'ozone qui peut affecter les patients atteints de troubles respiratoires. Les laboratoires n'ont plus besoin d'arrêter leurs activités pour effectuer une désinfection chimique de l'air et font un gain de productivité important.



Restaurants – Airfree® effectue une stérilisation continue de l'air. Silencieusement, Airfree® offre une protection additionnelle à celle attendue par les restaurateurs. Tous les virus et bactéries qui traversent le noyau de céramique breveté de l'Airfree® sont détruits. Nous recommandons aux restaurateurs de soumettre leurs plans pour que soit défini une couverture correcte de leur installation.



Acariens – De nombreuses réactions allergiques sont dus aux acariens. La fine poussière issue de leur exosquelette et leurs excréments contiennent des allergènes et des champignons dangereux qui causent une réaction allergiques lorsqu'ils sont inhalés. Ces allergènes et champignons sont complètement détruits par le noyau de céramique de l'Airfree®. La réduction des champignons dans l'air intérieur aide également à réduire la population d'acariens en détruisant certains types de champignons dont ils ont besoin pour survivre.



Hôtels et maisons de retraite – L'utilisation d'Airfree® dans les chambres d'hôtel montre une préoccupation bien appréciée par les visiteurs. L'utilisation d'Airfree® peut contribuer à augmenter le taux d'occupation et offre une bonne ligne de défense en cas de poursuite judiciaire. Des tests indépendants prouvent l'efficacité d'Airfree®.

Airfree® et les moisissures

Guide d'installation d'Airfree® dans une pièce contaminée par la moisissure.

- 1 - Installez votre appareil conformément au guide de l'utilisateur.
- 2 - Laissez votre appareil en fonctionnement au moins une semaine pour permettre une réduction significative du niveau de spores dans l'air.
- 3 - Nettoyez les éléments et surfaces infectées par la moisissure car ils représentent une source continue d'émission de spores.

Il est important de noter que Airfree® ne détruit pas la moisissure des éléments et surfaces infectés. Ceux-ci doivent être nettoyés manuellement.



Sans Airfree®



Avec Airfree®

Images illustratives basées sur des résultats de tests indépendants de l'Airfree®. Les résultats peuvent varier selon la pièce et les conditions de l'environnement.

Description de l'Airfree®

1- Couverture supérieure avec sorties d'air et éclairage

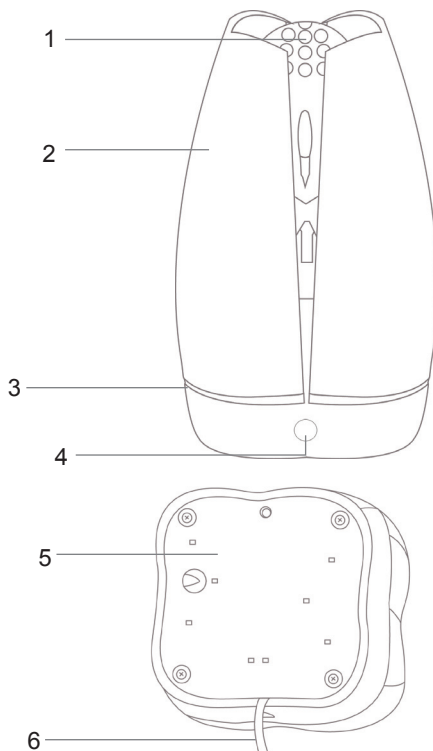
2- Pétales mobiles

3- Admission d'air

4- Mise en route et contrôle de couleur

5- Base

6- Cordon d'alimentation



La lumière du Lotus Airfree® n'a aucun lien avec le fonctionnement du noyau breveté de stérilisation.

Installation et mise en route



Branchez le câble d'alimentation à la prise électrique. Assurez-vous que la surface est sèche (ne jamais placer l'Airfree® sur des surfaces mouillées ou l'immerger)



Placez l'Airfree® sur une surface plane à l'écart des meubles, étagères ou rideaux afin de ne pas réduire le flux d'air et l'efficacité à réduire les micro-organismes.



Un appareil Lotus Airfree® suffit à une pièce d'une surface jusque 60 m². Pour des surfaces supérieures, utilisez un nombre proportionnel d'appareils. L'utilisation d'un unique appareil pour des pièces supérieures à ces recommandations réduit l'efficacité de l'Airfree®



Airfree® doit fonctionner continuellement dans la même pièce, 24 heures par jour.



Airfree® peut uniquement fonctionner dans des pièces d'un volume de 10 m³ sans obstacles.



Airfree® peut être installé dans des pièces climatisées ou chauffées. Cependant, il est recommandé de ne pas placer Airfree® près de ces derniers pour éviter les interférences potentielles de flux d'air.



Airfree® peut être placé dans les couloirs mais la stérilisation d'air n'aura pas d'effet sur les pièces adjacentes.



Airfree® ne doit pas être placé près de portes ou sous les fenêtres pour éviter que l'air stérilisé ne quitte la pièce.



Pour changer la couleur de la lumière, presser le bouton situé à l'arrière de l'Airfree®. Chaque pression passera à la couleur suivante. Pour le mode aléatoire, choisir la couleur rose et laisser faire. Pour augmenter ou modifier la luminosité, maintenir une pression sur le bouton.



Pour ouvrir les pétales, presser le centre du couvercle supérieur.

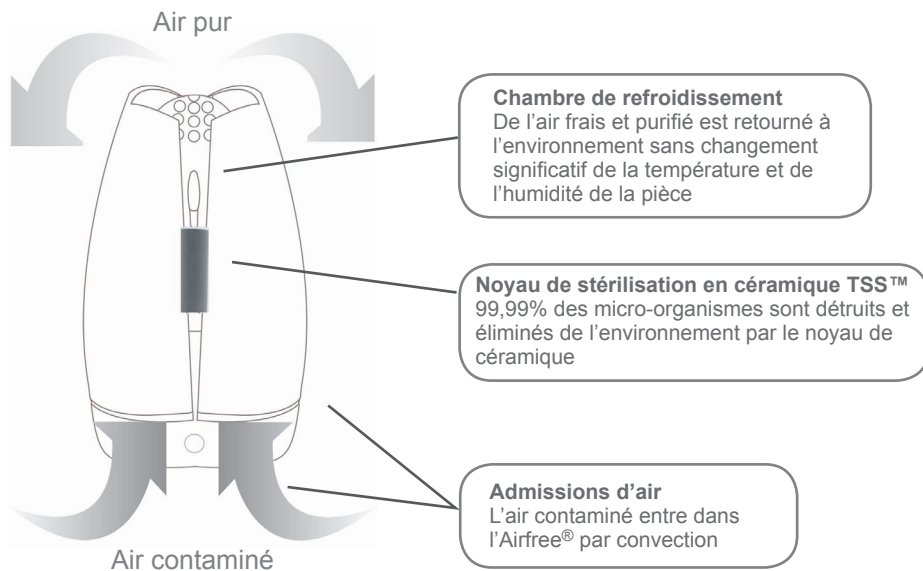


Pour refermer les pétales, les rabattre simultanément vers le centre.



Modèle	Lotus
Capacité	60 m ²
Consommation Électrique	52W
Voltage	220V - 240V
Émissions Sonores	Totalement Silencieux
Poids	2,4 kg
Dimensions	Longueur: 19,5 cm Largeur: 19,5 cm Hauteur: 33 cm

Comment fonctionne Airfree® ? Maintenance



Comment Airfree® fonctionne ?

L'air contaminé entre en silence dans l'Airfree® par convection et est stérilisé dans le noyau de céramique breveté qui détruit tous les micro-organismes à de hautes températures. Quelle que soit la dangerosité des virus, champignon ou bactérie, ils ne résistent pas à la chaleur puissante du noyau de céramique et sont détruits. La chaleur du noyau de céramique entraîne l'air purifié à l'extérieur ce qui entraîne la convection d'air et une dépression sous le noyau. Ainsi l'air contaminé est « aspiré » par les admissions d'air du dessous dans un flux continu et silencieux d'air.

L'association du noyau de céramique, de céramique spéciale et du flux d'air réduit également l'ozone toxique.

EFFICACITÉ DE LA TECHNOLOGIE AIRFREE® TESTÉE PAR DES LABORATOIRES, INSTITUTS ET UNIVERSITÉS DANS LES PAYS SUIVANTS

Laboratoire	Lieu	Réduction de micro-organismes		
		Champignons	Bactéries	Allergènes acariens DerP-1
Insect R&D Limited Cambridge, Grande Bretagne	Laboratoire			70,6% to 97,95%
SGS Natec Institute* Hamburgo/Allemagne	Bureaux du Laboratoire	99%	99%	
Technical Micronics Control Huntersville/USA	Laboratoire	93%	78%	
Univ. Complutense de Madrid Madrid/Espagne	Laboratoire Clinique	69%	79%	
AINIA Valença Espagne	Chambre Froide	86%		
INETI* Lisboa/Portugal	Archives Nationales Portugaises Torre do Tombo	93%	94%	
INETI* Lisboa/Portugal	Archives Vidéos RTP	74%	70%	
INETI* Lisboa/Portugal	Filiale Bancaires	77%		
Univ. Nova de Lisbonne	Laboratoire	90%	62%	
Campana Laboratório/ São Paulo/Brésil	Laboratoire Chimique	99%	83%	
INETI* Lisboa/Portugal	Environnements Clos	98%	87%	
INETI* Lisboa/Portugal	Chambres d'Hôtel	92%	82%	

Ces tests ainsi que d'autres sont disponibles sur notre site www.airfree.com

*Certifiés ISO 17025

1. Comment fonctionne Airfree® ?

Airfree® détruit les micro-organismes avec ses capillaires chauffés. L'air contaminé est acheminé par convection vers son noyau de céramique et les micro-organismes sont détruits à haute température quelque soit leur résistance ou dangerosité.

2. Existent-ils des effets indésirables ?

Non. La nouvelle technologie d'Airfree® utilise la chaleur pour purifier l'air. Aucun effet secondaire ni émission ni ions ou nouvelles particules sont générés. Airfree® devrait être utilisé dans chaque foyer et chaque bureau pour purifier l'air continuellement, efficacement et en silence.

3. Mon Airfree® ne cesse de clignoter. Que cela signifie-t-il ?

Cause n°1: Airfree® embarque une fonctionnalité d'économie d'énergie qui éteint le noyau de céramique dès qu'il dépasse une certaine température. Le noyau de céramique s'éteint quelques minutes durant lesquelles le voyant supérieur clignote (pour les modèles en disposant). Dès que le noyau atteint la température minimale de stérilisation, il se rallume à nouveau. Pendant tout ce temps – bien que l'appareil ne consomme pas de courant – il continue à stériliser l'air et à détruire les micro-organismes et les mauvaises odeurs.

Cause n°2: Un clignotement peut également se déclencher quand la température ambiante est supérieure à 35 °C. Dans ce cas, l'Airfree® s'autorégule en éteignant son noyau de céramique quelques minutes tout en continuant à stériliser l'air. Il n'y a pas de consommation d'énergie à ce moment.

Cause n°3: Airfree® embarque des systèmes électroniques à l'état de l'art qui détectent un mauvais placement ou un dysfonctionnement de l'équipement. Si le clignotement ne cesse pas, veuillez vérifier que votre Airfree® est positionné correctement, si les entrées d'air supérieures et inférieures sont bien dégagées ou si le Airfree® n'est pas branché à une prise défectueuse. Dans tous les cas, vous pouvez tester votre Airfree® sur une prise murale différente. Si le clignotement continue 10 minutes et que votre Airfree® est correctement installé, ce dernier est peut être défectueux et nous vous invitons à contacter votre revendeur.

4. Quelle est la capacité de purification d'air d'Airfree® ?

Airfree® Lotus est conçu pour des pièces allant jusque 60 m².

5. Puis-je installer Airfree® dans mon dressing ?

Oui, tant qu'il présente un volume minimal de 10 m³. Airfree® ne doit pas être placé sous des étagères car ceci réduirait son efficacité. Pour référence, 10 m³ représente à peu près 2,15 m x 2,15 m.

6. Puis-je utiliser Airfree® dans des pièces climatisées ?

Oui.

7. Comment savoir si mon Airfree® est en fonctionnement ?

Vérifiez le couvercle supérieur, s'il est chaud, l'Airfree® fonctionne.

8. Puis-je placer l'Airfree® dans le couloir pour purifier l'air de la maison ?

Non, dans ce cas, Airfree® ne purifiera que l'air du couloir.

9. Puis-je place l'Airfree® dans une pièce fermée ?

Oui. Souvenez-vous que le volume minimal de la pièce doit être de 10 m³ soit à peu près une pièce de 2,15 m x 2,15 m.

10. Airfree® élimine-t-il les bactéries et les virus ?

Oui. Contrairement à d'autres filtres disponibles, Airfree® est plus efficace contre les plus petits micro-organismes car ils sont facilement emportés par le flux d'air vers son noyau en céramique chauffé.

11. Puis-je déplacer l'Airfree® dans une autre pièce ?

Airfree® doit être branché en permanence dans la même pièce, 24h par jour. La technologie brevetée d'Airfree® fonctionne graduellement il ne faut pas interrompre ces cycles. Déplacer d'une pièce à une autre interrompt le cycle et laissera la pièce se contaminer à nouveau. Voir également la question 13 ci-dessous.

12. Dois-je éteindre l'Airfree® en sortant de chez moi ?

Non. L'Airfree® doit fonctionner en permanence.

13. Que se passe-t-il si l'Airfree® est débranché ou si le courant est coupé ?

Airfree® va approximativement prendre le même temps pour retrouver le niveau réduit de contamination précédent.

14. Airfree® réchauffe-t-il la pièce ?

Non. Airfree® ne modifie pas significativement la température de la pièce. À titre de comparaison, deux appareils en fonctionnement dans la même pièce contribuent autant au réchauffement de la pièce que la présence d'un adulte.

15. Airfree® a-t-il une incidence sur l'humidité relative d'une pièce ?

Non.

16. Le CADR mesure-t-il l'efficacité d'Airfree® ?

Pas du tout. Le CADR (Clean Air Delivery Rate ou Taux de Livraison d'Air Propre) n'est pas conçu pour tester la technologie Airfree®. Ce taux – habituellement indiqué au dos des emballages de purificateurs d'air – présente trois mesures : une pour la fumée de tabac, une pour le pollen et une pour la poussière. Ces mesures indiquent le volume d'air filtré par unité de temps par le purificateur d'air. Plus il est élevé plus rapidement l'air est filtré.

La principale raison pour laquelle le CADR n'est pas approprié est qu'Airfree® ne filtre pas les micro-organismes mais il les détruit. Le CADR ne mesure pas la réduction de la concentration de micro-organismes comme la moisissure ou les bactéries comme peut le faire un laboratoire de microbiologie. Airfree® détruit (et non « filtre » ou « piège ») tout micro-organisme quel que soit sa taille. 99,99% des particules organiques sont complètement détruites lorsqu'elles traversent le noyau de céramique breveté de l'Airfree®.

17. Comment Airfree® détruit-t-il les acariens ?

La réduction des moisissures de l'environnement réduit la population des acariens qui en dépendent. Airfree® détruit également les toxines et champignons nocifs qui sont libérés par les excréments des acariens et qui déclenchent les allergies respiratoires.

18. Comment Airfree® élimine-t-il les champignons ?

Comme mentionné précédemment, Airfree® élimine les micro-organismes aériens comme les champignons et leurs spores. En éliminant les spores, les nouvelles colonies sont limitées ce qui réduit encore le nombre de spores.

19. Comment Airfree® détruit-il les virus ?

Ces micro-organismes sont facilement éliminés dans les capillaires du noyau de céramique. Les températures des capillaires est largement supérieure à celle nécessaire à leur destruction. Airfree® est votre meilleur allié dans la prévention de maladies respiratoires.

20. Airfree® réduit-t-il l'odeur de tabac ?

Oui. Airfree® réduit tout type d'odeur organique des intérieurs dont celle du tabac.

21. Airfree® nécessite-t-il un gaz ou produit chimique spécifique ?

Non. Le processus de stérilisation d'Airfree® est naturel. N'hésitez pas à visiter notre site pour les différents tests sur les particules et sur l'ozone.

22. Airfree® nécessite-t-il le remplacement de filtres ?

Non.

23. Airfree® consomme-t-il beaucoup d'électricité ?

Non. La consommation de l'Airfree® Lotus est seulement de 52W.

24 - La lumière du Lotus Airfree® interfère-t-elle avec les fonctions de stérilisation ?

Non

25 - Où vont les micro-organismes après être détruits ?

Tous les organismes vivants et leurs produits sont composés de carbone, oxygène et azote. Comme Airfree® atteint 200 °C, tous les composants des micro-organismes passent par une combustion qui libère du dioxyde de carbone (le même produit que nous expirons) et de l'eau ; Certains carbonés (ou poussières) peuvent subsister dans le processus. Si des allergènes subsistaient, nous pouvons considérer qu'ils seront dénaturés, un processus dans lequel ils perdent leur fonction. Ce processus agit au niveau microscopique. Les résultats ne sont donc pas visibles à l'œil nu et aucune maintenance n'est nécessaire.

26 - Comment fonctionne la chromothérapie ?

Bien qu'Airfree® ne commande, ni n'approuve la chromothérapie, nous souhaitons offrir au consommateur la possibilité de choisir la couleur de l'éclairage. La réaction aux couleurs varie d'un individu à un autre. Les caractéristiques les plus communes sont :

Rouge – Couleur de joie, activité, chaleur, feu, pouvoir, passion et force. Le rouge apporte de la vitalité aux fonctions physiques et réduit l'inertie, la mélancolie, la tristesse, la dépression et la léthargie.

Rose – Couleur protectrice et nourrissante, chaude et douce. Il stimule l'affection et les sentiments d'amour et de compassion.

Blanc – Il reflète toutes les autres couleurs et représente la paix, la chasteté, l'innocence, la pureté et la vérité.

Violet – Reflète la dignité, la noblesse et le respect de soi. Il aide à normaliser les activités hormonales ou glandulaires.

Bleu foncé – Une couleur rafraîchissante, relaxante et sereine. Il aide à faire le vide dans les pensées et les sentiments vous aidant à être plus clair dans votre communication.

Bleu – Crée une notion d'espace, sérénité et paix. Il produit un effet relaxant et tranquillisant.

Vert – Son énergie reflète l'adaptabilité, la participation, la générosité et la coopération. Cette couleur soulage les émotions, aide à corriger le raisonnement et amplifie la conscience et la compréhension.

Jaune – Lié à la lumière du soleil, la joie et la bonne humeur. Renforce le système nerveux et les muscles, dont le cœur, ce qui aide la circulation.

Orange – dynamisme. Lié à l'ardeur et l'enthousiasme, il dynamise le corps et aide à l'assimilation.

Garantie

AIRFREE® PRODUCTS garantit à l'utilisateur que ce produit est exempt de tout défaut de matériel ou d'assemblage sous des conditions normales d'utilisation pendant deux ans à partir de la date d'achat. Durant cette période, sur présentation de la preuve d'achat et de la date d'achat, ce produit sera réparé ou remplacé par un modèle identique ou similaire sans frais de pièces ou de main d'œuvre (hormis un montant de 10 EUR pour l'assurance et le transport) à l'adresse du distributeur. Pour être éligible à la garantie, enregistrez-vous sur www.airfree.com ou complétez le bon de garantie lors de l'achat et transmettez-le au distributeur. Pour bénéficier des services de la garantie, transmettez au distributeur votre preuve d'achat et un montant de 10 EUR. Cette garantie ne s'applique pas en cas de mauvaise utilisation, abus ou modification sans se limiter à ces motifs. Les chocs, chutes, défauts d'installation électrique ou fluctuations des niveaux électriques sont considérés comme des mauvaises utilisations.

AIRFREE® PRODUCTS et ses affiliés et distributeurs ne font aucune allégation spécifique sur l'usage thérapeutique de ce produit et le fabricant ne garantit pas qu'il protège d'une quelconque maladie. NI CETTE GARANTIE, NI AUCUNE GARANTIE, EXPRIMÉE OU IMPLICITE, INCLUANT LES GARANTIES IMPLICITES OU MARCHANDES, NE PEUT ÉTENDRE LA PÉRIODE DE GARANTIE. AUCUNE RESPONSABILITÉ N'EST ASSUMÉE POUR DES DOMMAGES ACCESSOIRES OU INDIRECTS.

AIRFREE® PRODUCTS REJETTE TOUTE GARANTIE NON INCLUES DANS LES PRÉSENTES, DE QUALITÉ MARCHANDE OU IMPLICITE, POUR ADAPTATION À UN USAGE PARTICULIER. IL N'EXISTE AUCUNE GARANTIE AU-DELA DE LA DESCRIPTION DE LA PRÉSENTE.

Cette garantie vous donne des droits qui peuvent varier d'un pays à un autre.

* AIRFREE® PRODUCTS, Rua Julieta Ferrão n° 12 - 1600-131 Lisboa

- Tel.: 351 - 213 156 222

- Fax: 351 - 213 516 228

- Web: www.airfree.com

- Mail: info@airfree.com

Istruzioni di sicurezza



Questo apparecchio non può essere utilizzato da persone (bambini compresi) con possibilità fisiche, sensoriali o mentali ridotte, o con mancanza di esperienza, a meno che non siano sotto il controllo di una persona responsabile della loro sicurezza mentre utilizzano l'apparecchio.



Non è raccomandabile installare Airfree® in zone umide/bagnate. Airfree® non deve essere posto vicino a porte o finestre, poiché l'aria trattata potrebbe fuoriuscire.



Non disporre i vestiti, stoffe o alcun articolo sopra o intorno a Airfree® in modo tale che possano arrestare o diminuire la corrente d'aria che Airfree® emette tramite l'uscita superiore. L'ostruzione della presa d'aria può causare un riscaldamento eccessivo, il danneggiamento irreparabile del dispositivo ed il rischio potenziale di incendio.



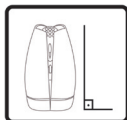
Non tentare di aprire l'Airfree® o toccare i suoi componenti interni e/o inserire alcun oggetto in quanto potrebbe provocare uno shock elettrico. Qualsiasi tentativo di aprire o manomettere Airfree® invaliderà questa garanzia.



Per pulire Airfree®, disconnetterlo dalla presa elettrica ed utilizzare un panno asciutto per pulire la superficie esterna. Soltanto i tecnici autorizzati da Airfree® hanno l'autorizzazione per riparare il vostro Airfree®.



Tenere sempre l'Airfree® in posizione verticale come mostrato nell'immagine. La luce anti-stress inizierà a lampeggiare se l'Airfree® non è in posizione verticale, se è male installato o eventualmente malfunzionante.



In caso di restituzione per una riparazione, assicurarsi che Airfree® sia protetto all'interno della scatola originale per evitare ulteriori danni. Il rivenditore Airfree® più vicino a può essere trovato su www.airfree.com.



Airfree® non deve essere posizionato vicino a prodotti infiammabili o tossici.

Se il cavo di alimentazione è danneggiato, deve essere sostituito dal fornitore o dal servizio della garanzia di Airfree® per evitare rischi legati alla sicurezza.

I nostri nemici invisibili

La maggior parte delle persone trascorrono circa il 90% del loro tempo in casa o in ufficio.

L'agenzia statunitense EPA - Environmental Protection Agency sostiene che la qualità dell'aria degli ambienti interni può essere 100 volte peggiore che all'aperto. Alcuni fattori contribuiscono alla contaminazione interna:

- con un'alta concentrazione di persone aumentano i funghi, i batteri e lo sviluppo di virus e la contaminazione incrociata

- le nuove tecniche di isolamento degli edifici riducono gli interscambi di aria e di conseguenza i costi legati al condizionamento dell'aria, ma a loro volta aumentano drasticamente la muffa e lo sviluppo di colonie di batteri.

- mancanza di pulizia nei condotti dell'aria condizionata.

- concentrazione di materiale organico come libri, moquette, tende e divani.

Una buona qualità dell'aria interna è indispensabile per le persone colpite da malattie respiratorie e da allergie.

I contaminanti dell'aria interna (funghi, allergeni, pollini, ozono) possono innescare

- asma, bronchiti, riniti e sinusiti.

- infezioni fungine nei pazienti immunodeficienti

- irritazioni alla gola, occhi e naso

- emicrania, irritabilità, sonnolenza

- malessere e difficoltà di concentrazione

Rapporto tra microrganismi e inerenti malattie.

Inoculum(*) X Virulency (**)

Resistenza Umana

(*) Quantità di microrganismi (**) Aggressività dei microorganismi

All'aumentare di "Inoculum" e "Virulency" o al diminuire della Resistenza Umana si verifica una maggiore contaminazione ed un maggior rischio per le persone.

Le cause principali di contaminazione sono diversi tipi di funghi, (alcuni dei quali resistenti ai prodotti chimici e ai veleni più potenti), i batteri, i virus, i minuscoli escrementi degli acari della polvere e scheletri contenenti allergeni potenti e funghi pericolosi e i pollini stagionali.

Airfree® può tranquillamente e silenziosamente distruggere questi allergeni.

Applicazioni



Ambienti sani con aria depurata - La tecnologia silenziosa ed efficace di Airfree® fornisce aria pulita riduce la contaminazione ambientale.



Individui allergici ed asmatici - La notevole riduzione degli allergeni dovuta all'uso di Airfree® aiuta a depurare gli ambienti per le persone allergiche. Acari ed allergeni sono ridotti ai minimi livelli. Il sollievo per una persona allergica è dato dalla riduzione degli allergeni e quindi dalla riduzione dei sintomi.



Neonati e bambini - Studi hanno dimostrato che una riduzione dell'esposizione agli acari da parte di neonati e bambini diminuisce la possibilità di sviluppare asma.



Funghi - Airfree® riduce drasticamente tutti i tipi di funghi. Non più funghi sulla pelle, né su indumenti, neppure nelle zone più umide della casa. I funghi e le loro spore sono distrutti all'interno del nucleo ceramico di Airfree® ad altissime temperature. Con Airfree® dite addio ai funghi in casa Vostra.



Odori - Gli odori organici sono drasticamente ridotti o addirittura eliminati da Airfree®.



Cucine e dispense - Riduzione di funghi e spore in qualsiasi area protetta da Airfree®. Evita il formarsi di muffe sui formaggi, sul pane, sulla frutta ed altri alimenti.



Video, film, diapositive e dispositivi sonori ed ottici - L'assenza di funghi e spore rende gli ambienti protetti da Airfree® ideali per la conservazione di videocamere, videocassette, foto, diapositive, negativi ed altri dispositivi che sviluppano funghi. Silenziosamente ed in modo sicuro, Airfree® protegge i Vostrì oggetti ed i Vostrì ricordi.



Yatches, imbarcazioni da turismo e da pesca - Airfree® elimina in modo sicuro le spore dei funghi, la muffa, gli acari della polvere e i batteri che provocano cattivi odori, contribuendo a risolvere questo genere di problemi anche in barca.



Uffici, edifici pubblici - Le stanze, i corridoi e gli ascensori molto frequentati presentano un rischio costante di contaminazione sia per gli impiegati che per gli ospiti. Questa situazione si aggrava a causa del flusso delle spore dei funghi e di altri microbi immessi attraverso l'aria condizionata, e soprattutto dall'ozono prodotto da stampanti laser, computer e fotocopiatrici. La diffusione delle malattie trasmissibili per via aerea viene accelerata in un ambiente chiuso. Airfree® è un'arma potente nella riduzione della contaminazione causata dalla dispersione nell'aria di virus, batteri, funghi, ozono e da una serie di allergeni.



Biblioteche e musei - Le spore dei funghi che creano la muffa sono sempre presenti. Quando la temperatura e l'umidità nell'ambiente creano le condizioni adatte, la spora fa germinare la muffa e lo sviluppo comincia. Questo sviluppo contamina i libri, i vestiti, i documenti e le opere d'arte. Airfree® distrugge la muffa eliminando le spore, contribuendo ad un ambiente più sano per gli utenti e gli impiegati, proteggendo anche le opere antiche.



Scuole, asili - L'uso di Airfree® nelle aule testimonia la cura dei dirigenti per il benessere del personale e dell'allievo.



Pollini - I pollini vengono completamente distrutti attraverso il nucleo di sterilizzazione brevettato da Airfree®. Dopo aver distrutto i pollini le particelle denaturate e rese inoffensive sono liberate di nuovo all'ambiente.



Ozono (O3) - L'ozono è un gas molto tossico che secondo EPA può danneggiare il tessuto polmonare, provocare dolori al torace, irritazione della gola e agli occhi e causare asma. La FDA degli Stati Uniti suggerisce di non utilizzare direttamente o indirettamente alcuna apparecchiatura che generi ozono in ospedali o dove sono presenti i pazienti. Anche le ultime direttive europee impongono la riduzione di tali emissioni. Airfree® riduce i livelli dell'ozono del 26% tramite il suo speciale nucleo di ceramica.



Virus, batteri, funghi e germi - Airfree® distrugge tutti i microrganismi più microscopici e pericolosi dispersi nell'aria sopra citati.

Gli scienziati confermano che i virus, i funghi e la struttura molecolare dei batteri (composta di proteine), non possono sopravvivere a temperature elevate come quelle raggiunte nel nucleo di ceramica brevettato di Airfree®.



Ospedali, cliniche e laboratori - Con l'uso di Airfree®, l'ambiente dell'ospedale diventa più igienico. I laboratori di analisi non devono più arrestare tutte le attività per la purificazione dell'aria.



Ristoranti - Airfree® produce la sterilizzazione continua dell'aria. Silenziosamente, Airfree® assicura una protezione addizionale coadiuvando i sistemi usati per l'igiene degli ambienti. Tutti i virus e i batteri che attraversano il nucleo ceramico di sterilizzazione brevettato del Airfree® vengono distrutti.



Acari della polvere - Molte reazioni allergiche sono causate dagli acari della polvere. La polvere fine generata dai loro scheletri e dagli escrementi contiene funghi e allergeni e quando viene inalata causa reazioni allergiche. Questi allergeni e i funghi sono completamente distrutti nel nucleo interno di ceramica di Airfree®. Inoltre, la riduzione dei funghi nell'ambiente riduce la popolazione degli acari della polvere, in quanto hanno bisogno di determinati tipi di funghi per sopravvivere.



Hotels e case di riposo - L'uso di Airfree® nelle stanze degli ospiti dimostra la cura per il benessere dei clienti. Airfree® ha prove di laboratori indipendenti che dimostrano la sua efficienza.

Airfree® e la muffa

Consigli per l'installazione di Airfree® in stanze contaminate dalla muffa.

- 1 - Installare l'unità Airfree® secondo le norme contenute nel manuale.
- 2 - attendere che l'unità Airfree® funzioni per almeno una settimana per constatare una significativa riduzione delle spore della muffa.
- 3 - Pulire gli oggetti e le superfici infettate dalla muffa con apposite soluzioni, poiché sono una continua fonte di nuove spore.

È importante avvertire che Airfree® non distruggerà o non rimuoverà la muffa che ha infettato un oggetto o una superficie. Tali superfici devono essere pulite manualmente rimuovendo la muffa.

Airfree® impedirà che le spore liberate dalle colonie di muffa vadano a contaminare altre zone ed inibirà lo sviluppo delle colonie attuali.



Senza Airfree®



Con Airfree®

Immagini e illustrazioni sono basate sui risultati delle prove indipendenti di Airfree®. I risultati possono variare a seconda della stanza e delle condizioni ambientali.

Descrizione di Airfree®

1- Coperchio superiore con prese d'aria ed illuminazione

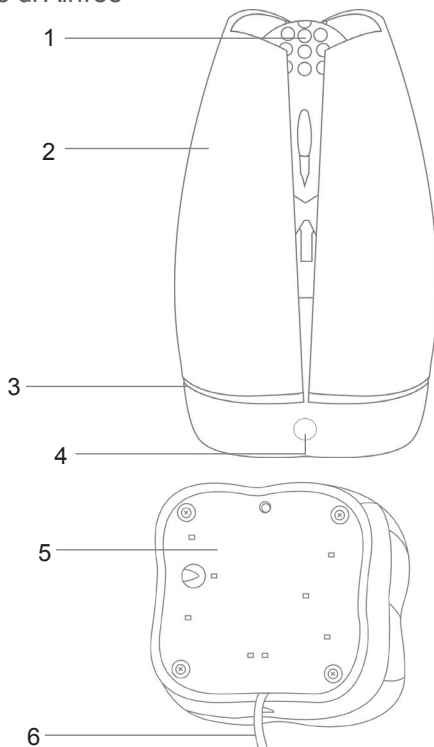
2- Petali Mobili

3- Ingresso d'aria

4- ON / OFF e sensore di controllo da led a colore

5- Base

6- Cavo di alimentazione



La luce d'Airfree® Lotus non interviene o ha alcuna relazione con il funzionamento del nucleo di sterilizzazione brevettato d'Airfree®.

Istallazione e connessioni



Collegare il cavo di alimentazione alla presa più vicina. Assicurarsi che la superficie sia asciutta (non collocare mai l'Airfree® sul pavimento bagnato né immergerlo in acqua). Assicurarsi che il led laterale azzurro sia acceso. Dopo 10 minuti circa il coperchio superiore dovrebbe essere caldo.



Posizionare l'Airfree® su una superficie piana, non sotto i mobili, le mensole, o dietro le tende, in quanto ridurrà il flusso d'aria e l'efficacia dell'Airfree® nell'eliminare i microrganismi.



Posizionare Lotus in stanze fino a 60 m². Per le stanze più grandi usare altre unità supplementari di Airfree® proporzionandole alla metratura. L'uso di un Airfree® nella cubatura di una stanza più grande di quanto suggerita riduce in modo considerevole l'efficienza di Airfree®.



Airfree® deve funzionare 24 ore su 24 e sempre nella stessa posizione.



Airfree® può essere installato in dispense e ripostigli se superiori a 11 m³. Non posizionarlo sotto le scaffalature.



Si raccomanda di posizionare Airfree® lontano da apparecchiature che possano causare interferenze con i flussi d'aria emessi da Airfree®.



Non disporre Airfree® nel corridoio per purificare l'aria di tutta la casa. In questo caso Airfree® ridurrà soltanto la contaminazione dell'aria nella zona del corridoio.



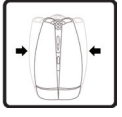
L'Airfree® può essere collocato in corridoi, ma la sterilizzazione dell'aria non avrà effetto nelle stanze adiacenti.



Per cambiare i colori delle luce del globo premete il sensore sul retro d'Airfree. Ogni tocco passerà al colore successivo. Per la modalità aleatoria si prega di passare al rosa e lasciare così. Mantenere le dita premute sul sensore aumenterà o diminuirà il grado di bianco.



Per aprire i petali dell'Airfree® Lotus, premete la parte centrale del coperchio superiore.



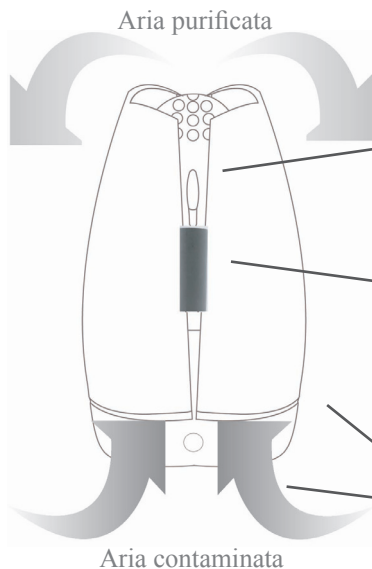
Per chiudere i petali, spostarli simultaneamente verso il centro.

Caratteristiche di Airfree®



Modello	Lotus
Capacità	60 m ²
Consumo	52W
Voltaggio	220V - 240V
Rumore	Silenzioso
Peso	2,4 kg
Dimensioni	altezza: 33 cm Ø 19,5 cm

Come funziona l'Airfree®? Manutenzione



Camera di raffreddamento

L'aria fredda e pulita è fornita all'ambiente senza un significativo cambiamento di temperatura e umidità

TSS™ Nucleo ceramica

Il nucleo in ceramica sterilizzante elimina il 99,99% dei microrganismi a temperature elevate (200 °C)

Camera di aspirazione dell'aria

L'aria contaminata viene incanalata nei condotti ceramici di trattamento per convezione (l'aria riscaldata sale richiamando aria fredda)

Funzionalità

L'aria contaminata viene trattata all'interno del nucleo ceramico brevettato di Airfree®. Il nucleo ceramico di Airfree® è provvisto di molteplici condotti riscaldati ad una temperatura di circa 200 °C. I microrganismi organici vengono distrutti (inceneriti) nel momento in cui passano attraverso i condotti ceramici riscaldati di Airfree®, a prescindere dalla loro pericolosità o resistenza a sostanze chimiche.

I TEST DI EFFICIENZA DELLA TECNOLOGIA AIRFREE® SONO EFFETTUATI DA LABORATORI INDIPENDENTI, ISTITUTI E UNIVERSITÀ DEI SEGUENTI PAESI.

Laboratorio	Locazione	Riduzione dei microrganismi		
		Funghi	Batteri	DerP-1
Insect R&D Limited Cambridge, UK	Laboratorio			70,6% to 97,95%
SGS Natec Institute* Hamburgo/Germany	Laboratorio di ufficio	99%	99%	
Technical Micronics Control Huntsville/USA	Laboratorio	93%	78%	
Univ. Complutense de Madrid Madrid/Spain	Laboratorio Clinico	69%	79%	
AINIA Valença Spain	Camera fredda	86%		
INETI* Lisbon/Portugal	Torre do Tombo Archivio Nazionale Portoghese	93%	94%	
INETI* Lisbon/Portugal	RTP Archivio Video	74%	70%	
INETI* Lisbon/Portugal	Banca Filiale	77%		
Univ. Nova of Lisbon	Laboratorio	90%	62%	
Campana Laboratory/ São Paulo/Brazil	Laboratorio Chimico	99%	83%	
INETI* Lisbon/Portugal	Ambienti Chiusi	98%	87%	
INETI* Lisbon/Portugal	Camera d'Albergo	92%	82%	

I test comprovanti l'efficacia di Airfree® possono essere consultati sul sito www.airfree.com

* Certificato ISO 17025

1. Come funziona Airfree®?

Airfree® distrugge i microrganismi all'interno del nucleo ceramico brevettato. L'aria contaminata viene spinta all'interno del nucleo ceramico per convezione ed i microrganismi vengono distrutti ad alte temperature, a prescindere da quanto possano essere resistenti o pericolosi.

2. Airfree® ha degli effetti collaterali (o indesiderati)?

No. La nuova tecnologia utilizza il calore per depurare l'aria. Non vi sono effetti indesiderati, nessuna emissione né produzione di ioni, né di particelle. Airfree® dovrebbe essere utilizzato in tutte le case e gli uffici per depurare silenziosamente, costantemente ed efficacemente l'aria.

3. Il mio Airfree® non smette di lampeggiare. Che cosa significa?

Causa 1: La funzione di risparmio energetico incorporata in Airfree® disattiva automaticamente l'anima in ceramica quando supera la temperatura necessaria a iniziare e mantenere la convezione d'aria che aspira l'aria nella macchina per neutralizzare i microorganismi e gli odori organici. In questo caso l'anima di ceramica si spegne per pochi minuti, e le luci superiori lampeggeranno (nei modelli provvisti di luci superiori). In quest'arco di tempo il vostro Airfree® continua a depurare l'aria.

Causa 2: Un altro fattore che causa il lampeggiamento di Airfree® è la temperatura ambiente superiore ai 35 °C, caso in cui Airfree® si autoregola e spegne l'anima di ceramica per pochi minuti mentre continua a purificare l'aria, ma causando il lampeggiamento delle luci superiori in quei modelli provvisti di luci superiori. Durante tale arco di tempo non c'è consumo energetico.

Causa 3: Airfree® è provvisto di componenti elettronici all'avanguardia in grado di rilevare qualsiasi collocazione impropria o malfunzionamento del dispositivo. Se le luci superiori non smettono di lampeggiare, assicuratevi che il vostro Airfree® si trovi in posizione verticale. Se le valvole d'ingresso aria superiori e inferiori sono libere da ostruzioni, o se il vostro Airfree® è collegato a una presa di corrente guasta. Per sicurezza collegate sempre il vostro Airfree® a una presa differente. Se nei seguenti 10 minuti le luci superiori continuano a lampeggiare e il vostro Airfree® è installato correttamente, significa che il dispositivo potrebbe essere difettoso e in questo caso contattate il vostro fornitore.

4. C'è qualche rischio quando la luce superiore di Airfree® lampeggia?

No. Quando l'elettronica di Airfree® rileva eventuali irregolarità spegne automaticamente il piatto ceramico TSS™

5. Quale è la capacità di purificazione d'aria di Airfree®?

Airfree® Lotus è stato progettato per le stanze fino ad un massimo di 60 m².

6. Si può installare Airfree® in ripostiglio o in una piccola stanza?

Sì, ma assicurarsi che il locale abbia un volume maggiore di 11 m³. Airfree® non deve essere posto sotto le scaffalature poiché potrebbero diminuire la sua efficacia.

7. Airfree® può essere utilizzato in ambienti con aria condizionata?

Sì.

8. Come si fa a sapere se Airfree® non funziona?

Basta toccare la parte superiore, se è calda, Airfree® funziona correttamente.

9. Airfree® può essere installato in corridoio così da poter raggiungere tutta la casa?

No. In questo caso Airfree® ridurrà la contaminazione esclusivamente all'interno del corridoio.

10. Si può installare in una stanza chiusa?

Sì, purché abbia almeno 11 m³ di volume.

11. Airfree® elimina batteri e virus?

Sì. A differenza di dispositivi che utilizzano filtri, Airfree® è risultato maggiormente efficace anche con i microrganismi più piccoli, poiché essi vengono facilmente spinti dai flussi di aria all'interno del nucleo ceramico di Airfree®.

12. Si può spostare Airfree® da una stanza ad un'altra?

No. Airfree® deve rimanere collegato sempre nella stessa stanza 24 ore al giorno. La tecnologia brevettata di Airfree® funziona gradualmente e non si deve interrompere il suo ciclo. Spostandolo da una stanza all'altra si interromperebbe il ciclo.

13. Quando si esce da casa Airfree® si deve spegnere?

No. Airfree® deve rimanere sempre acceso.

14. Cosa succede se si scollega Airfree® o in caso di black out?

Airfree® impiegherà approssimativamente lo stesso tempo per recuperare il livello di contaminazione precedentemente ridotto.

15. Il CADR misura l'efficacia del Airfree®?

Assolutamente no. Il CADR (Clean Air Delivery Rate) non è adatto a verificare il grado di efficacia della tecnologia Airfree®. La guarnizione di AHAM (che si trova solitamente sulla parte posteriore di una scatola di un purificatore d'aria) elenca tre livelli di tasso di purificazione d'aria (CADR): uno per il fumo di tabacco, uno per il polline ed uno per la polvere. Il CADR indica il volume di aria filtrata da un depuratore di aria. Più alti sono i valori di fumo di tabacco, polline e polvere, più velocemente l'unità filtra l'aria. La ragione principale per la quale CADR non è progettato per Airfree® è perché Airfree® non filtra ma distrugge i microrganismi denaturandoli attraverso il processo termico. Il CADR si applica invece a volumi di aria filtrata trasportata da un depuratore d'aria come detto in precedenza. Il CADR non misura la riduzione dei microrganismi come la muffa ed i batteri che è un dato rilevabile soltanto da un laboratorio di microbiologia. Airfree® distrugge (non prendendoli o facendoli attrarre da una superficie) tutti i microrganismi senza riguardo a quanto piccoli o pericolosi possono essere. Il 99,99% di tutte le particelle organiche vengono completamente distrutte attraverso il nucleo di ceramica di Airfree® brevettato negli Stati Uniti.

16. In che modo Airfree® distrugge gli acari?

Airfree® elimina i funghi indispensabili per la sopravvivenza degli acari, sia a livello di cibo che per la loro digestione. Gli acari vengono ridotti nella stessa percentuale di riduzione dei funghi.

17. In che modo Airfree® elimina i funghi?

Come spiegato sopra, Airfree® elimina i microrganismi ambientali, inclusi funghi e spore. Eliminando le spore, si bloccherà la formazione di nuove colonie che saranno mantenute a livelli molto bassi.

18. In che modo Airfree® distrugge i virus?

Questi microscopici microrganismi sono facilmente eliminati all'interno dei capillari ceramici di Airfree®. La temperatura interna è tre volte maggiore di quella richiesta per distruggerli. Airfree® è il miglior alleato per prevenire malattie respiratorie.

19. In che modo Airfree® elimina gli odori di tabacco?

Airfree® elimina qualsiasi odore organico ambientale, incluso il tabacco.

20. Airfree® rilascia del gas o delle sostanze chimiche?

No. Il processo di sterilizzazione di Airfree® è naturale. Consultare il sito per i test sulle particelle e O3 (ozono).

21. Airfree® riscalda l'ambiente?

No. Airfree® non aumenta la temperatura ambientale. Per dare un'idea, due dispositivi Airfree® collegati all'interno di una stanza forniscono tanto calore quanto quello dato dalla presenza di un individuo nella stessa stanza.

22. Airfree® ha effetti sull'umidità?

No.

23. Airfree® ha bisogno della sostituzione di filtri?

No.

24. I consumi di Airfree® sono elevati?

No. Il consumo di Airfree® è di appena 52W per Lotus.

25. La luce anti-stress interferisce con la funzione di sterilizzazione di Airfree®? (*)

No. La luce anti-stress ha un effetto estetico, distensivo e rilassante. Può essere usata semplicemente come luce di notte per i bambini o nelle stanze dei neonati. Secondo la cromoterapia, la luce blu ha effetto calmante e distensivo.

26. Dove vanno a finire i microrganismi dopo che sono stati distrutti?

Come tutti gli organismi viventi, i microrganismi ed i loro prodotti sono composti fondamentalmente da carbonio, da ossigeno e da azoto. Poiché Airfree® raggiunge approssimativamente 200 °C, tutti i microrganismi sono sottoposti ad un processo di combustione che rilascia il biossido di carbonio (lo stesso prodotto liberato tramite la nostra respirazione) e l'acqua. Parti di carbonio (o delle ceneri) possono rimanere presenti nell'aria a seguito del processo di combustione. Se resiste qualche residuo di allergene, è da considerarsi come sottoposto ad un processo di denaturazione, quindi oramai privo di conformazione e funzione. Ogni reazione descritta avviene a livello microscopico e dunque questi processi ed i relativi sottoprodotti non saranno percepiti. Di conseguenza non c'è nessuna manutenzione.

27. Come funziona la cromoterapia?

Airfree® non raccomanda o promuove la Cromoterapia ma semplicemente offre ai consumatori la possibilità di scegliere i colori della luce. La reazione ai colori varia da persona a persona. I caratteri che maggiormente si attribuiscono ai colori sembrano essere:

Rosso – Colore di gioia, attività, calore, fuoco, potere, passione e forza. Il rosso porta vitalità alle funzioni fisiche e riduce l'inerzia, la malinconia, la tristezza, la depressione e la letargia.

Rosa – Colore protettivo e nutriente, caldo e morbido. Stimola affetto e sentimenti d'amore e compassione.

Bianco – Il bianco riflette tutti gli altri colori e rappresenta la pace, la castità, l'innocenza, la purezza e la verità.

Viola – Riflette la dignità, la nobiltà e il rispetto di sé. Aiuta a normalizzare le attività ormonali e ghiandolari.

Blu – Un colore rinfrescante, rilassante e sereno. Aiuta a ripulire i pensieri e le sensazioni, a fare chiarezza nella vostra comunicazione.

Azzurro – Crea una nozione di spazio, serenità e pace. Produce un effetto rilassante e tranquillizzante.

Verde – La sua energia riflette partecipazione, adattabilità, generosità e cooperazione. Questo colore facilita le emozioni, aiuta a correggere ragionamenti e amplia la consapevolezza e la conoscenza.

Giallo – Si riferisce alla luce splendente del sole, alla gioia e al buon umore rinforzando il sistema nervoso e i muscoli, incluso il cuore, aiutando la circolazione.

Arancione – Dinamismo. Si riferisce all'ardore e all'entusiasmo che danno energia al corpo e aiutano l'assimilazione.

Garanzia Limitata

Questo prodotto è garantito da AIRFREE® PRODUCTS come privo di difetti sia nei materiali che nella manodopera, se utilizzato adeguatamente per un periodo di due anni dalla data di acquisto. Durante tale periodo, in caso si riscontrino dei difetti di fabbricazione, il prodotto dovrà essere consegnato al rivenditore presso il quale è stato effettuato l'acquisto accompagnato dalla prova d'acquisto con data d'acquisto, il numero di serie ed una breve descrizione del difetto di fabbrica riscontrato. Il rivenditore provvederà quindi all'inoltro del prodotto al centro di assistenza per la riparazione o l'eventuale sostituzione con un apparecchio dello stesso modello o di un modello simile senza alcun costo per materiali o manodopera.

Questa garanzia non si intende valida nel caso in cui il prodotto venga utilizzato in modo errato o venga manomesso o alterato, includendo cadute e schiacciamento; difetti nell'installazione elettrica o oscillazioni del livello di potenza elettrica sono difetti che si considerano assimilati all'utilizzo scorretto del prodotto.

AIRFREE® PRODUCTS unitamente ai suoi distributori non fornisce alcuna specifica relativa all'uso medico del prodotto, inoltre il produttore non garantisce che l'apparecchio prevenga alcun tipo di malattia.

NE' QUESTA NE' NESSUN'ALTRA GARANZIA, ESPRESSA O IMPLICITA, INCLUDENDO GARANZIE IMPLICITE O COMMERCIALI, ESTENDERA' IL PERIODO STESSO DI GARANZIA.

NON SI ASSUME ALCUNA RESPONSABILITA' PER INCIDENTI O DANNI CONSEGUENTI, INCLUDENDO DANNI SENZA LIMITAZIONI. POICHE' ALCUNI STATI NON PERMETTONO LIMITAZIONI SULLA DURATA DI UNA GARANZIA IMPLICITA ED ALTRI STATI NON PERMETTONO L'ESCLUSIONE O LA LIMITAZIONE DI INCIDENTI O DANNI CONSEGUENTI, LE SUDETTE LIMITAZIONI O ESCLUSIONI NON SONO APPLICABILI. AIRFREE® PRODUCTS DECLINA SPECIFICAMENTE QUALSIASI GARANZIA ESPRESSA NON QUI ALTRIMENTI DESCRITTA E QUALSIASI GARANZIA IMPLICITA O COMMERCIALE O GARANZIE IMPLICITE PER ADEGUATEZZA AD UNO SCOPO PARTICOLARE. NON VI SONO GARANZIE CHE VALGONO, OLTRE A QUELLE DESCRITTE NEL PRESENTE PARAGRAFO. La presente garanzia fornisce specifici diritti legali; potreste avere altri diritti, che variano da stato a stato.

Airfree® Produtos Eletrónicos, S.A. Rua Julieta Ferrão nº 12, 1600-131 Lisboa

- Tel.: 00 351 - 213 156 222

- Fax: 00 351 - 213 516 228

- Web: www.airfree.com

- Mail: info@airfree.com

Sicherheitshinweise



Dieses Gerät ist nicht bestimmt für Personen (einschließlich Kinder) mit verringerten körperlichen, sensorischen oder Geistesfähigkeiten, oder mit Mangel an Erfahrung und Wissen, es sei denn sie werden beaufsichtigt oder ihnen wurden Anweisungen hinsichtlich des Gerätegebrauches von einer Person erteilt, die fuer deren Sicherheit zuständig ist.



Bringen Sie den Airfree® niemals in direkten Kontakt mit Wasser oder anderen Flüssigkeiten, da dies zu elektrischen Schlägen und Beschädigungen an der Einheit führt.



Blockieren Sie die Abzüge des Airfree® niemals mit Gegenständen wie Handtüchern, Kleidung oder Vorhängen, da dies zu Überhitzung und irreparablen Schäden an der Einheit führt.



Versuchen Sie nicht den Airfree® zu öffnen oder die internen Komponente zu berühren, da die Gefahr von elektrischem Schlag besteht. Jeglicher Versuch den Airfree® zu öffnen oder zu fälschen führt zum Verlust der Gewährleistungsansprüche.



Zur Reinigung ziehen Sie den Stecker aus der Steckdose und wischen Sie die Oberfläche mit einem trockenem Tuch. Versuchen Sie nicht, den Airfree® zur Innenreinigung zu öffnen. Nur autorisierte Airfree®-Händler verfügen über die Fachkenntnisse und die Befugnis, Ihren Airfree® zu reparieren.



Stellen Sie den Airfree® immer in der Senkrechtstellung auf, wie auf dem Bild gezeigt. Das Anti-Stress-Licht beginnt zu blinken wenn Airfree® nicht in der Senkrechtstellung steht, schlecht installiert wurde, oder eventuell eine Störung aufweist.



Stellen Sie den Airfree® nicht in der Nähe von entzündlichen und giftigen Produkten auf.



Wenn Sie den Airfree® zur Reparatur einschicken, stellen Sie sicher, daß das Gerät gut geschützt ist, vorzugsweise in der Originalverpackung, um weitere Schäden zu vermeiden. Den nächstgelegenen Airfree®-Händler finden Sie unter www.airfree.com.

Sollte der Stromkabel beschädigt sein, so muss er vom Hersteller, seinem Dienstleister oder ähnlich qualifiziertem Personal ersetzt werden, um Gefahren vorzubeugen.

Die unsichtbaren Feinde

Die Mehrheit der Menschen verbringt um die 90% ihrer Zeit entweder zuhause oder bei der Arbeit in geschlossenen Räumen. Laut der amerikanischen Umweltschutzbehörde EPA (Environmental Protection Agency) kann die Luftverschmutzung in Innenräumen eine bis zu 100 Mal stärkere Belastung für den menschlichen Organismus darstellen. Folgende Faktoren tragen zur Raumluftverschmutzung bei:

- Eine hohe Ansammlung von Menschen in Räumen erhöht die Entstehung von Pilzen, Bakterien und Viren sowie Kreuzkontamination.
- Neue Gebäudeinsolierungsarten reduzieren den Luftaustausch zwischen innen und außen und somit auch

die Klimaanlagekosten, wobei wiederum Schimmelpilz- und Bakterienkolonien drastisch erhöht werden.

- Mangelhafte Düsenreinigung der Klimaanlage.
- Konzentration von organischen Materialien wie Büchern, Teppichböden, Vorhängen und Sofas.

Gute Luftqualität ist ein Muss für diejenigen, die unter Atemwegkrankungen und Allergien leiden.

Kontaminierte Luft (Pilze, Allergene in der Luft, Pollen und Ozon) in Innenräumen können folgende Beschwerden hervorrufen:

- Asthma, Bronchitis, Rhinitis und Nebenhöhlenentzündung
- Pilzinfektionen bei Patienten mit angeschlagenem Immunsystem
- Gereizte Augen, Hals und Nase
- Kopfschmerzen, Energielosigkeit, Reizbarkeit
- Husten und Konzentrationsschwierigkeit

Verhältnis zwischen Mikroorganismen und entsprechenden Erkrankungen.

Inokulum (*) X Giftigkeit (**)

Menschlicher Widerstand

(*) Anzahl von Mikroorganismen (**) Aggressivität der Mikroorganismen

Je höher die Anzahl der „Inokulum“ und „Giftigkeit“ und/oder je niedriger der „menschliche Widerstand“, umso höher ist das Kontaminierungsrisiko für Menschen. Die hauptsächlichsten Kontaminierungsursachen sind mehrere Pilzarten wie Bakterien, Viren, Hausstaubmilbenexkremente und Skelette, die kraftvolle Allergene und schädliche Pilze sowie saisonabhängige Pollen enthalten. Mehrere dieser Fremdstoffe sind bereits widerstandsfähig gegen die stärksten Chemikalien und Gifte.

Airfree® zerstört sicher und leise solche Allergene.

Anwendungsbereiche



Gesundes Raumklima mit frischer, sauberer Luft-Die lautlose und effiziente Technologie von Airfree® reinigt konstant die Luft und beseitigt die wachsende Raumluftverschmutzung in Häusern, Büroräumen, Bibliotheken, Museen, öffentlichen Gebäuden, Schulen, Kindergärten, Nahrungsmittelindustrien, militärischen Einrichtungen und überall dort, wo saubere Raumluft unabdingbar ist.



Allergiker und Asthmatiker-Durch die drastische Reduzierung von Allergenen in der Luft sorgt Airfree® für ein saubereres Umfeld für Allergiker. Schimmelpilze, Bakterien, Kot und Überreste von Hausstaubmilben sowie Ozonwerte werden auf ein minimales Maß reduziert.



Babys-Studien bezeugen, dass Kleinkinder weniger anfällig für Asthma sind, wenn sie Hausstaubmilben in geringerem Maße ausgesetzt sind.



Schimmelpilze / Moder-Schimmelpilze und Moder hinterlassen Pilzsporen in der Luft, die durch das ganze Haus zirkulieren und schwere allergische Reaktionen wie tränende Augen, Niesanfälle, eine laufende und verstopfte Nase und Müdigkeit verursachen können. Zudem bilden diese Sporen neue Schimmelpilzkolonien oder vergrößern die bereits existierenden Kolonien. Airfree® zerstört Sporen von Schimmelpilzen und Moder in der Luft und trägt somit dazu bei, ein erneutes Auftreten von Verschmutzungen zu verhindern.



Küchen und Vorratskammern-Die Reduzierung von Pilzen und Sporen in der von Airfree® geschützten Luft verhindert Schimmelbildung auf Käse, Brot, Früchten und anderen Lebensmitteln.



Videos, Filme, Dias, akustische und optische Geräte-Die Abwesenheit von Pilzen und Sporen in der durch Airfree® gereinigten Raumluft schafft ein optimales Umfeld für die Lagerung von Kameras, Videos, Bildmaterial, Dias, Negativen und allen anderen Geräten, denen Pilze gefährlich werden können. Airfree® schützt Ihre persönlichen Gegenstände und Erinnerungen zuverlässig und geräuschlos.



Boote und Schiffe-Airfree® beseitigt zuverlässig Pilzsporen, Schimmel, Moder, Staubmilben, Bakterien und strenge Gerüche - einige der typischen Probleme von Bootsbesitzern.



Büroräume und öffentliche Gebäude-Räume, Gänge und Fahrstühle, in denen sich häufig viele Menschen befinden, stellen ein ständiges Ansteckungsrisiko für Angestellte und Besucher dar. Diese Situation wird durch in der Luft befindliche schädliche Pilze, andere Mikroben, die durch die Klimaanlage eintreten, sowie durch das Ozon, das durch Computer und Kopiergeräte erzeugt wird noch verschärft. Solch ein Umfeld kann die Verbreitung von Krankheiten, die durch die Atemluft übertragen werden, noch beschleunigen. Airfree® bekämpft kraftvoll die Luftverschmutzung durch Viren, Bakterien, Pilze, Ozon und unzählige Allergene.



Bibliotheken und Museen-Pilzsporen, aus denen Schimmel oder Moder entsteht, sind überall. Wenn Raumtemperatur und Luftfeuchtigkeit die Keimbildung begünstigen, wachsen und gedeihen die Sporen explosionsartig. Diese Sporen können Bücher, Kleidungsstücke, Dokumente und Kunstwerke befallen. Airfree® zerstört Schimmel und Moder und sorgt damit für ein gesünderes Umfeld für Benutzer und Angestellte.



Gerüche-Organische Gerüche werden von Airfree® drastisch reduziert oder gar beseitigt.



Schulen und Kindergärten-Krankheiten, die durch die Atemluft übertragen werden, stellen eine große Belastung für Schüler, Eltern, Lehrkräfte und Schulleitung dar. Die Erreger der Virusgrippe, der Gehirnhautentzündung und der Röteln sowie andere unangenehme Mikroben schweben frei in der Luft herum. Die Verwendung von Airfree® in den Klassenzimmern zeigt, dass das Wohlbefinden von Schülern und Lehrkräften ein großes Anliegen der Schulleitung ist. Außerdem sinkt das Risiko, daß die Schule in einen Rechtsstreit verwickelt wird, wie dies in den Vereinigten Staaten aufgrund von Krankheiten, die durch Schimmelpilze verursacht wurden, bereits häufig der Fall ist.



Pollens-Pollen sind keine Ausnahme und werden genauso wie die anderen Mikroorganismen beim Durchlauf durch den patentierten Sterilisierungskern zerstört. Nach Zerstörung werden die entstehenden harmlosen Partikel zurück in die Luft verworfen.



Ozon-Ozon ist ein giftiges Gas, welches das Lungengewebe schädigt, Brustschmerzen, Atemnot und Halsreizungen hervorruft und sogar Asthma auslösen kann. Airfree® reduziert erwiesenermaßen die Ozonwerte im Raum.



Viren und Bakterien-Viren und Bakterien werden bereits bei Temperaturen zerstört, die weit unter der Betriebstemperatur des Airfree® - Keramikerns von etwa 200 °C liegen. Auch die tödlichsten und kleinsten Mikroben, wie die Erreger von Gehirnhautentzündungen, Lungenentzündungen und Scharlach, werden beseitigt. All diese gesundheitsgefährdenden Organismen in der Luft werden durch den Airfree® eliminiert.



Krankenhäuser, Kliniken und Labors-Für die meisten Krankenhäuser ist Luftverschmutzung ein sehr wichtiges Thema. Mit dem Gebrauch von Airfree® wird das Krankenhausumfeld sicherer. Durch die effiziente Zerstörung von Viren, Bakterien und Pilzen in der Luft ist Airfree® unabkömmlich in Wartezimmern, Behandlungsräumen und Wachstationen. Zusätzlich reduziert Airfree® den Ozongehalt der Luft, der bei Patienten mit Atemwegsbeschwerden zu Beeinträchtigungen führen kann. Labors müssen die Luft nicht mehr chemisch reinigen lassen und während dieser Zeit sämtliche anderen Aktivitäten unterbrechen. Durch diese Zeitersparnis wird ein ganzer Arbeitstag pro Woche gewonnen.



Restaurants-Airfree® sterilisiert kontinuierlich die Luft und bietet somit ganz dezente zusätzlichen Schutz für die Gäste. Alle Viren und Bakterien, die den patentierten sterilisierenden Keramikern des Airfree® passieren, werden zerstört. Restaurantinhabern wird empfohlen, uns ihren Grundriß zur Analyse einzureichen, um einen flächendeckenden Schutz aller Innenräume zu garantieren.



Hausstaubmilben-Durch die Reduzierung von Schimmelpilzen in der Luft werden auch die Staubmilbenpopulationen reduziert, da diese Schimmelpilze zum Leben brauchen. Airfree® zerstört außerdem den Kot und die Überreste der Staubmilben. Diese Partikelchen sind potentielle Auslöser allergischer Reaktionen und asthmatischer Anfälle.



Hotels und Seniorenheime-Der Gebrauch des Airfree® kann zu einer höheren Belegungsrate beitragen und bietet zudem eine gute Grundlage im Falle eines Rechtsstreits. Die Wirksamkeit von Airfree® wurde in unabhängigen Tests bestätigt.

Airfree® und Schimmel

Anleitung zur Installation von Airfree® in von Schimmel befallenen Räumen:

- 1- Installieren Sie Ihren Airfree® gemäß der Anweisungen der Betriebsanleitung.
- 2- Lassen Sie Ihr Gerät mindestens eine Woche lang laufen, um die Schimmelsporen in der Luft maßgeblich zu reduzieren.
- 3- Reinigen Sie infizierte Gegenstände und Oberflächen, da diese eine unablässige Quelle neuer Sporen sind.

Es wird darauf hingewiesen, dass Airfree® nicht den Schimmel auf infizierten Gegenständen oder Oberflächen zerstört oder entfernt. Diese Oberflächen müssen manuell gereinigt werden.

Airfree® verhindert die Verbreitung der Sporen bestehender Schimmelkolonien auf andere Gebiete und hemmt zugleich das Wachstum der bestehenden Kolonien.

Schimmelsporen in der Luft eines durchschnittlichen Schlafzimmers



Ohne Airfree®-Schutz



Mit Airfree®-Schutz

Die Illustrationen basieren auf unabhängigen Airfree®-Testergebnissen. Die Ergebnisse können je nach Raum und Umweltbedingungen unterschiedlich sein.

Eigenschaften des Airfree®

1- Klappdeckel mit Luftaustrittsöffnungen und Beleuchtung

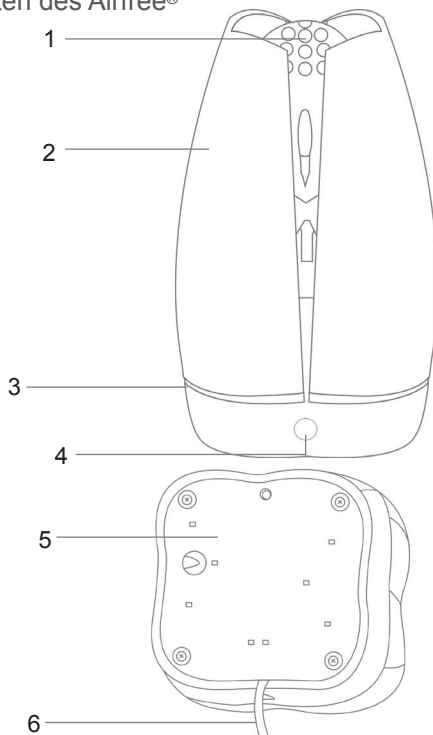
2- Bewegliche Blätter

3- Lufteintrittsöffnungen

4- Knopfdrucksteuerung der Farbenleuchtdiode

5- Grundlage

6- Netzkabel



Die Lichtfunktion von Airfree® beeinträchtigt in keiner Weise die Leistung und hat keinerlei Beziehung zu dem patentierten Keramikern maßgeblich für die Sterilisation

Installation und Anschluß des Airfree®



Stecken Sie den Netzkabel in die nächste Steckdose. Achten Sie darauf, dass die Oberfläche trocken ist (stellen Sie niemals den Airfree® auf einen nassen Boden oder in Wasser eingetaucht auf). Achten Sie darauf, dass das blaue LED an ist. Nach 10 Minuten muss die Oberklappe warm sein.



Stellen Sie Ihren Airfree® auf eine glatte Oberfläche, aber nicht unter Möbel, oder hinter Vorhänge, da dies den Luftstrom reduziert und somit die Leistungsfähigkeit von Airfree® bei der Bekämpfung von Mikroorganismen beeinträchtigt.



Platzieren Sie den Airfree® in Räumen von Größen bis zu 60 m² für den Lotus. Für größere Räume empfehlen wir, den Proportionen angemessen weitere Airfree®-Einheiten zu verwenden. Die Verwendung eines einzigen Airfree® in Räumen, die die empfohlene Größe überschreiten, vermindert die Wirksamkeit des Airfree®.



Ihr Airfree®-Gerät muss 24 Stunden am Tag im selben Raum in Betrieb sein.



Airfree® sollte nicht in Schränken oder Vorratskammern aufgestellt werden, die kleiner als 11m³ sind, um dort einen Temperaturanstieg zu vermeiden. Stellen Sie den Airfree® auch nicht unter Regale, damit seine luftsterilisierende Leistungsfähigkeit nicht eingeschränkt wird.



Airfree® kann auch in Räumen mit Klimaanlage und Zentralheizung so-wie in Räumen mit tragbaren Heizgeräten installiert werden. Der Airfree® sollte jedoch nicht zu nah an Geräte gestellt werden, die seine Luftströmung beeinträchtigen könnten.



Stellen Sie Airfree® nicht in den Flur, um das gesamte Haus schützen zu versuchen. In diesem Falle reduziert Airfree® nur die Luftverschmutzung im Flurbereich.



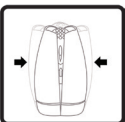
Airfree® kann in Fluren untergebracht werden, dessen Sterilisierungseffekte werden jedoch die benachbarten Räume nicht beeinträchtigen.



Um die Farben der Leuchtdiode zu ändern, nutzen Sie bitte die Knopfdrucksteuerung auf der Rückseite des Airfree®. Die Farbe ändert sich bei jedem Knopfdruck. Für den Zufallsmodus wählen Sie bitte die Farbe Rosa. Das durchgängige Pressen der Knopfdrucksteuerung erhöht oder reduziert die Leuchtstärke.



Um die Blätter des Airfree® Lotus zu öffnen, drücken Sie bitte das mittlere Kugelgitter leicht nach unten.

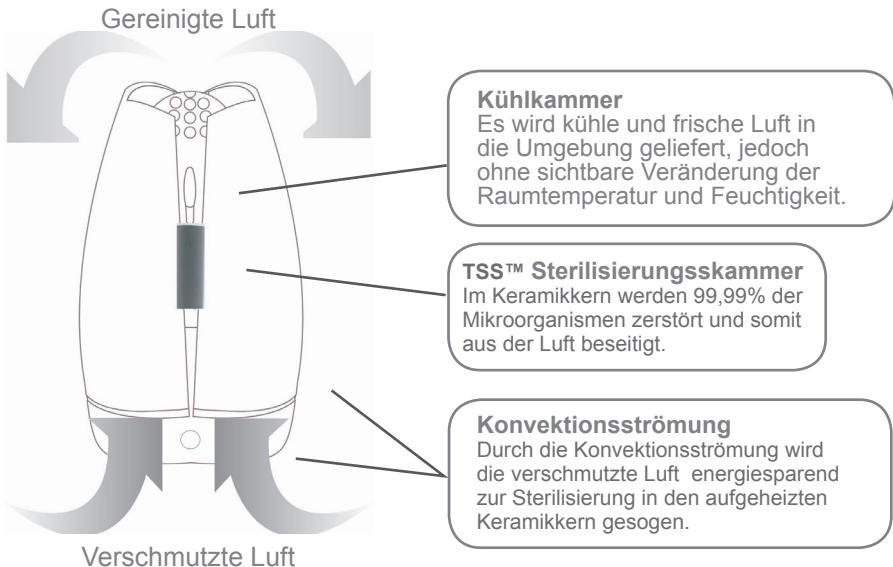


Um die Blätter zu schließen, bewegen Sie diese simultan in Richtung Mitte.



Model	Lotus
Kapazität	60 m ²
Stromverbrauch	52W
Elektrische Spannung	220V - 240V
Geräuschpegel	Lautlos
Gewicht	2,4 kg
Maßangaben	Höhe: 33 cm Ø: 19,5 cm

Wie Arbeitet mein Airfree®? Instandhaltung



Bedienung

Verschmutzte Luft wird im Inneren des patentierten Keramikern des Airfree® sterilisiert. Im Keramikern werden Dutzende von Kapillaren auf eine Temperatur von etwa 200 °C erhitzt. Mikroorganismen in der Luft werden zerstört (verbrannt), wenn sie den erhitzten Keramikern des Airfree® durchlaufen, egal wie gefährlich oder chemikalienresistent sie sind.

Wenn die sterilisierte Luft aus dem Airfree® strömt, kommt es zur Konvektion. Dieses Phänomen tritt ein, wenn die sterilisierte Luft beim Ausströmen aus den Kapillaren negativen Druck am Eingang des Gerätes aufbaut. So entsteht ein ständiger Kreislauf, in welchem verschmutzte Luft in den Keramikern gesaugt wird, um dort sterilisiert zu werden.

DIE TECHNOLOGISCHEN LEISTUNGSPRÜFUNGEN VON AIRFREE® WERDEN VON UNABHÄNGIGEN LABORS, ANSTALTEN UND UNIVERSITÄTEN IN FOLGENDEN LÄNDERN DURCHFÜHRT

Labor	Local	Reduzierung von Mikroorganismen		
		Pilze	Bakterien	DerP-1
Insect R&D Limited Cambridge, UK	Labor			70,6% to 97,95%
SGS Natec Institute* Hamburgo/Germany	Labor-Büro	99%	99%	
Technical Micronics Control Huntsville/USA	Labor	93%	78%	
Univ. Complutense de Madrid Madrid/Spain	Klinischen Labor	69%	79%	
AINIA Valença Spain	Kältekammer	86%		
INETI* Lisbon/Portugal	Torre do Tombo Portuguese National Archive	93%	94%	
INETI* Lisbon/Portugal	RTP Video-Archiv	74%	70%	
INETI* Lisbon/Portugal	Bankfiliale	77%		
Univ. Nova of Lisbon	Labor	90%	62%	
Campana Laboratory/ São Paulo/Brazil	Chemielaboranten	99%	83%	
INETI* Lisbon/Portugal	Geschlossenen Räumen	98%	87%	
INETI* Lisbon/Portugal	Hotelzimmer	92%	82%	

Auf die oben stehenden und weitere Testergebnisse kann auf unserer Website www.airfree.com zugegriffen werden.

1. Wie arbeitet Airfree®?

Der Airfree® zerstört Mikroorganismen in seinen erhitzten Kapillaren. Verschmutzte Luft wird durch Konvektion in den Keramikern des Airfree® gesaugt und alle Mikroorganismen, egal wie resistent oder gefährlich, werden bei hohen Temperaturen zerstört.

2. Gibt es Nebenwirkungen?

Nein. Die neue Technologie des Airfree® arbeitet mit Hitze, um die Raumluft zu optimieren. Es entstehen keine Nebenwirkungen, keine Emissionen, KEINE IONEN oder neuen Partikel. Airfree® sollte in allen Häusern und Büroräumen verwendet werden und wird somit lautlos, konstant und gründlich die Luft reinigen.

3. Mein Airfree® hört nicht auf zu blinken. Was bedeutet dies:

Grund 1: Airfree® enthält ein automatisches Energiesparelement welches automatisch den keramischen Kern ausschaltet wenn er die Temperatur übersteigt, die zum Anstellen und zum Einhalten der Luftkonvektion zur Luftführung in die Maschine zwecks Vernichtung von Mikroorganismen und organischen Gerüchen erforderlich ist. In diesem Falle schaltet sich der keramische Kern für einige Minuten aus und die Stehlampen blinken (im Falle der Versionen die mit Bremslichtern ausgestattet sind).

Grund 2: Ein anderer Grund der das Blinken von Airfree® einleitet, ist eine Raumtemperatur über 35 °C. In diesem Falle stellt sich Airfree® ein, um den keramischen Kern selbst für einige Minuten abzustellen und gleichzeitig die Luft zu sterilisieren, was zu einem Blinken der Lichter führt im Falle der Modelle die mit Oberlichtern ausgestattet sind.

Grund 3: Airfree® enthält eine dem Stande der Technik entsprechende Elektronik, die in der Lage ist jegliche unangemessene Einstellung oder Störung des Gerätes zu detektieren. Sollten die Oberlichter nicht aufhören zu blinken, versichern Sie sich bitte, dass Ihre Airfree® Anlage sich in der senkrechten Position befindet. Bitte ebenfalls fest, ob der obere und untere Lufteinlass keine Blockierung aufweist, oder ob Ihre Airfree® an einem defekten elektrischen Anschluss angeschlossen ist.

Um sicher zu sein, schließen Sie den Airfree® an einen anderen elektrischen Anschluss an. Sollten die Oberlichter in den nächsten 10 Minuten weiterblinken und Ihre Airfree® Anlage korrekt installiert sein, kann dies ein Hinweis sein, dass Ihr Gerät Mängel aufweist. In diesem Falle kontaktieren Sie bitte Ihren Händler.

4. Bestehen etwaige Risiken, wenn das Licht an der Oberseite des Gerätes (Anti-Stress-Licht) blinkt?

Nein. Wenn die Elektronik des Gerätes irgendeine Unregelmäßigkeit detektiert, wird der TSS™ Keramikern automatisch abgeschaltet.

5. Wie hoch ist die Luftreinigungskapazität des Airfree®?

Der Airfree® Lotus ist konzipiert für Räume mit einer Größe von bis zu 60 m²

6. Kann ich das Airfree® Gerät auch im Schrank aufstellen?

Ja, solange er mindestens 11 m² groß ist. Airfree® sollte allerdings nicht unter ein Regal gestellt werden, um seine Leistungsfähigkeit nicht einzuschränken.

7. Kann das Airfree® Gerät in Räumen mit Klimaanlage verwendet werden?

Ja.

8. Woran erkenne ich, dass mein Airfree® nicht funktioniert?

Solange die obere Abdeckung warm ist, arbeitet der Airfree® ordnungsgemäß.

9. Kann das Airfree® Gerät im Flur aufgestellt werden, um das gesamte Haus zu schützen?

Nein, Airfree® reduziert sonst nur die Luftverschmutzung im Flurbereich.

10. Kann das Airfree® Gerät in geschlossenen Räumen installiert werden?

Ja. Die empfohlene Mindestgröße liegt bei 11 m².

11. Eliminiert der Airfree® Bakterien und Viren?

Ja, sogar kleinste Mikroorganismen werden effektiv zerstört, da sie durch den Luftstrom des Airfree® problemlos in seinen aufgeheizten Keramikern transportiert werden. Darin liegt der große Unterschied zwischen Airfree® und anderen Luftfiltern auf dem Markt.

12. Wird durch Airfree® die Raumtemperatur erhöht?

Nein, die Raumtemperatur wird durch Airfree® nicht erhöht. Zwei Airfree®-Geräte in einem Raum strahlen in etwa die gleiche Wärme aus wie ein Erwachsener im selben Raum.

13. Kann ich einen Airfree® an unterschiedlichen Orten aufstellen?

Nein, der Airfree® muss 24 Stunden am Tag immer im gleichen Raum angeschlossen bleiben. Die patentierte Technologie funktioniert sukzessiv, und der Kreislauf darf nicht unterbrochen werden. Wenn der Airfree® in verschiedenen Räumen aufgestellt wird, wird der Kreislauf unterbrochen.

14. Muss ich den Airfree® ausschalten, wenn ich die Wohnung verlasse?

Nein, der Airfree® sollte immer in Betrieb sein.

15. Was passiert, wenn Airfree® ausgesteckt wird, oder wenn es einen Strom-ausfall gibt?

Der Airfree® benötigt in etwa den gleichen Zeitraum, um den Grad der Luftreinheit vor Unterbrechung der Energiezufuhr wiederherzustellen.

16. Gibt der CADR-Wert die Wirksamkeit des Airfree® an?

Keineswegs. CADR wird nicht dazu verwendet, die Airfree®-Technologie zu testen. Der Airfree® benötigt im Vergleich zu anderen Luftreinigern auf dem Markt eine schwache Luftströmung. Die neue Airfree®-Technologie ist zu 99,99% wirksam und vor allem geräuschlos. Airfree® fängt Partikel nicht ein oder schleust sie zu anderen Oberflächen, sondern zerstört alle Mikroorganismen, egal, wie klein sie sind. 99,99% aller organischen Teilchen (Viren, Bakterien, Schimmel, Sporen, Allergene, Mikroorganismen) werden komplett zerstört, wenn sie den patentierten Keramikern des Airfree® passieren. Die hohe Wirksamkeit des Airfree® wurde von verschiedenen unabhängigen Labors und Universitäten bestätigt. Diese unabhängigen Test wurden in normaler, alltäglicher Umgebung durchgeführt. In den getesteten Räumen wurden durchschnittlich 80% weniger Schimmel und Mikroorganismen in der Luft festgestellt.

17. Wie werden Hausstaubmilben von Airfree® zerstört?

Die Reduzierung von Schimmelpilzen in der Luft führt zu einer Reduzierung der Staubmilbenpopulationen, die sich von Schimmelpilzen ernähren. Airfree® zerstört außerdem die schädlichen Giftstoffe und Pilze aus dem Kot von Hausstaubmilben, die Atemwegsallergien auslösen können.

18. Wie werden Pilze von Airfree® eliminiert?

Wie bereits erwähnt, eliminiert Airfree® alle Mikroorganismen in der Luft, einschließlich Pilze und Sporen. Indem Sporen eliminiert werden, wird die Bildung neuer Kolonien verhindert. Dadurch gibt es weniger Pilze und Sporen in der Luft. Nach und nach werden die Pilzkolonien auf ein Minimum reduziert.

19. Wie zerstört der Airfree® Viren?

Diese mikroskopisch kleinen Organismen werden ganz einfach im Inneren der Kapillaren des Keramikern zerstört. Die Innentemperatur der Kapillaren ist dabei dreimal so hoch, wie sie eigentlich sein müsste, um Viren zu zerstören. Airfree® ist Ihr bester Partner zur Vorbeugung von Atemwegserkrankungen.

20. Reduziert der Airfree® Tabakrauch?

Ja, Airfree® reduziert alle organisch bedingten Gerüche in der Luft, einschließlich Tabakrauch.

21. Setzt der Airfree® Gase oder chemische Produkte frei?

Nein, die Sterilisation basiert auf natürlichen Vorgängen. Bitte lesen Sie dazu auch die eindeutigen Testergebnisse über Partikel und Ozon auf unserer Website.

22. Müssen die Filter des Airfree® gewechselt werden?

Nein, Airfree® arbeitet mit Hitze und nicht mit Filtern. Es entstehen auch keine gefährlichen Emissionen.

23. Wirkt sich das Anti-Stress-Licht des Airfree®-Gerätes negativ auf die Sterilisierungsfunktion aus?

Nein, das Anti-Stress-Licht hat einen ästhetischen Effekt, der entspannend wirken kann. Das Anti-Stress-Licht kann auch als Nachtleuchte in Kinderzimmern benutzt werden. Gemäß der Chromotherapie hat das blaue Licht einen beruhigenden und entspannenden Effekt.

24. Wo bleiben die Mikroorganismen nachdem sie zerstört sind?

Wie beliebige lebende Organismen, bestehen Mikroorganismen und Ihre Produkte aus Kohlenstoff, Sauerstoff und Stickstoff. Das Airfree®-Gerät vernichtet diese bei 200 °C, deshalb durchlaufen alle Komponenten der Mikroorganismen einen Verbrennungsprozess, der Kohlendioxid (dieselbe Substanz, die beim Ausatmen entsteht) und Wasser freisetzt. Einiges Kohlenstoff (oder Asche) kann sich während des Prozesses absetzen. Sollten einige Allergene zurückbleiben, so kann man davon ausgehen, dass diese vergaaren bzw. denaturiert werden – ein Vorgang, bei dem die ursprüngliche Konstellation und Funktion verloren geht. Wir möchten darauf aufmerksam machen, dass es hier um Reaktionen geht, die im mikroskopischen Bereich stattfinden, daher können diese Vorgänge nicht wahrgenommen werden. Aus diesem Grund muss man sich um die Wartung des Gerätes keine Sorgen machen.

25. Braucht der Airfree® viel Strom?

Nein. Der Stromverbrauch des Airfree® Lotus liegt lediglich bei 52W.

26. Beeinflusst Airfree® die relative Feuchtigkeit in einem Raum?

Nein.

27. Wie arbeitet die Farbentherapie?

Airfree® empfiehlt oder befürwortet die Farbentherapie nicht, man bietet den Verbrauchern lediglich eine Option an helle Farben auszusuchen. Die Reaktion zu den Farben ändert sich von Person zu Person. Man glaubt, dass die geläufigsten Farbeigenschaften die folgenden sind:

Rot – Farbe der Freude, der Aktivität, der Wärme, des Feuers, der Leidenschaft und der Stärke. Das Rot bringt Vitalität zu den physischen Funktionen und reduziert die Trägheit, die Schwermut, die Traurigkeit, die Depressionen und die Lethargie.

Rosa – Eine beschützende, nahrhafte, warme und leichte Farbe. Sie stimuliert die Zuneigung und Gefühle der Liebe und des Mitgefühls.

Weiß – Das Weiß reflektiert alle anderen Farben und repräsentiert die Keuschheit, die Reinheit, die Unschuld, die Reinheit und die Wahrheit.

Violett – Bezeichnet die Würde, den Adel und die Selbstachtung. Sie hilft die Hormon- oder Drüsenaktivitäten zu normalisieren.

Dunkelblau – Eine erfrischende, entspannende und ruhige Farbe. Sie hilft die Gedanken und Gefühle zu reinigen, und schenkt der Kommunikation Klarheit.

Blau – Die Farbe schafft Spielraumauffassung, Gelassenheit und Frieden. Sie gewährt einen entspannenden und beruhigenden Effekt

Grün – Die Farbenergie reflektiert Teilnahme, Anpassungsfähigkeit, Großzügigkeit und Kooperation. Die Farbe lindert Emotionen, hilft den Gedankengang zu korrigieren, erhöht das Bewusstsein und das Verstehen.

Gelb – Bezieht sich auf das Sonnenlicht, auf die Freude und gute Laune, verstärkt das Nervensystem und die Muskeln, einschließlich das Herz und ist hierbei der Zirkulation behilflich.

Orange – Dynamik. Sie bezieht sich auf die Leidenschaft und Begeisterung die erregend auf den Körper wirken und der Assimilierung behilflich ist.

Gwährleistung

Für dieses Produkt wird von AIRFREE® PRODUCTS Gwährleistung wie folgt gegeben: Es wird gegenüber dem ursprünglichen Erwerber für eine Dauer von zwei Jahren, beginnend mit dem Kauf, gewährleistet, dass das Produkt bei ordnungsgemäßer Nutzung frei von Defekten im Hinblick auf das Material und die Verarbeitung ist. Während dieser Frist und nach einem Nachweis des Kaufes und des Kaufdatums wird das Produkt repariert oder durch das gleiche Modell ersetzt, ohne Kosten für die Teile oder Arbeitskosten (abgesehen von Kosten in Höhe von €10,00 für Versicherung und Abwicklung) am Ort des Einzelhandelsunternehmens. Um für die Gwährleistung geeignet zu sein, füllen Sie bitte Ihr Gwährleistungszertifikat im Zeitpunkt des Verkaufes aus und senden Sie dieses an das Einzelhandelsunternehmen. Um eine Gwährleistung in Anspruch nehmen zu können, senden Sie bitte die Bestätigung oder den Nachweis über den Kauf und einen Scheck bzw. eine Anweisung über €10,00 an das Einzelhandelsunternehmen. Diese Gwährleistung findet keine Anwendung, wenn das Produkt nicht richtig gebraucht, missbraucht oder verändert wurde, und, ohne das Vorstehende einzuschränken, es wird vermutet, dass Defekte, die zurückzuführen sind auf das Biegen oder das Fallenlassen der Einheit, auf Fehler bei der elektrischen Installation oder schwankende Stromstärken einen Fehlgebrauch oder Missbrauch darstellen.

AIRFREE® PRODUCTS und seine Konzerngesellschaften oder Großhändler erheben keinen besonderen Anspruch im Hinblick auf den medizinisch Gebrauch dieses Produkts noch gewährleistet der Hersteller, dass die Ausrüstung irgend einer Art von Erkrankung vorbeugt.

Weder die Frist dieser Gwährleistung noch sonst eine Gwährleistung, gleich ob diese ausdrücklich oder stillschweigend erklärt wurde, oder Zusagen über die Verkehrsfähigkeit oder die Eignung zu einem bestimmten Zweck soll die hierin festgelegte Gwährleistungsfrist überschreiten.

Es wird keine Verantwortung für unfallbedingte Schäden oder Folgeschäden übernommen, insbesondere nicht für Schäden, für die einige Bundesstaaten keine Beschränkung im Hinblick auf die Dauer einer stillschweigend erklärten Gwährleistung erlauben. Einige Bundesstaaten gestatten den Ausschluss oder die Begrenzung von unfallbedingten Schäden oder Folgeschäden nicht, so dass die vorstehenden Begrenzungen oder Ausschlüsse unter Umständen nicht auf Sie angewendet werden können.

AIRFREE® PRODUCTS schließt hiermit alle ausdrücklichen Gwährleistungen, die nicht auf andere Art hierin in Kraft gesetzt wurden, und alle stillschweigenden Gwährleistungen oder Zusagen über die Verkehrsfähigkeit oder die Eignung zu einem bestimmten Zweck aus. Es gibt keine Gwährleistungen außerhalb denen in den Beschreibungen hierin. Die Gwährleistung gibt Ihnen besondere juristische Rechte; es kann sein, dass Sie weitere Rechte haben, die von Bundesstaat zu Bundesstaat variieren.

* AIRFREE® PRODUCTS, Rua Julieta Ferrão nº 12, 1600-131 Lisboa
- Tel.:351 - 213 156 222
- Fax: 351 - 213 516 228
- Webseite: www.airfree.com
- E-Mail: info@airfree.com

Warranty Certificate - 2 years / Certificat de Garantie 2 ans
Certificato di Garanzia/ Gewährleistungszertifikat

Model/ Modèle/ Modello/ Modell: _____

Serial Number/ Numéro de Série/ Numero Seriale/
Seriennummer: _____

Client Name/ Nom/ Nominativo/
Kundenname: _____

Address/ Adresse/ Indirizzo/ Adresse: _____

City/ Ville/ Città/ Stadt: _____

Zip code/ Code Postal/ Codice Postale/ PLZ: _____

Phone/ Téléphone/ Telefono/ Telefon: () _____

Purchase Date/ Date d'achat/ Data d'acquisto Kaufdatum:
/ /

Store Name/ Nom du magasin/Cuño/ Nome del negozio/
Verkaufsstelle: _____

Invoice Number/ Numéro de facture/
Numero fattura/ Rechnungsnummer: _____



In order to obtain full warranty terms and conditions as stated above please fill in and return Warranty Certificate to Authorised Airfree® distributor. You may also register your warranty at www.airfree.com / De façon à obtenir les conditions complètes de la garantie décrite ci-dessus, veuillez remplir et retourner le certificat de garantie à votre revendeur. Vous pouvez aussi vous enregistrer sur notre site www.airfree.com/warranty / Per aver diritto alle condizioni di garanzia sopradescritte, si prega di compilare la scheda e di spedirla al distributore autorizzato. Potete anche registrare a www.airfree.com / Um die volle Gewährleistung zu den oben genannten Bedingungen zu erlangen füllen Sie bitte dieses Gewährleistungszertifikat aus und senden Sie es an ein autorisiertes Airfree® - Vertriebsunternehmen



* AIRFREE® PRODUCTS, Rua Julieta Ferrão nº12 1600-131 Lisboa
- Tel.: 00 351 - 213 156 222
- Fax: 00 351 - 213 516 228
- Web: www.airfree.com
- Mail: info@airfree.com

